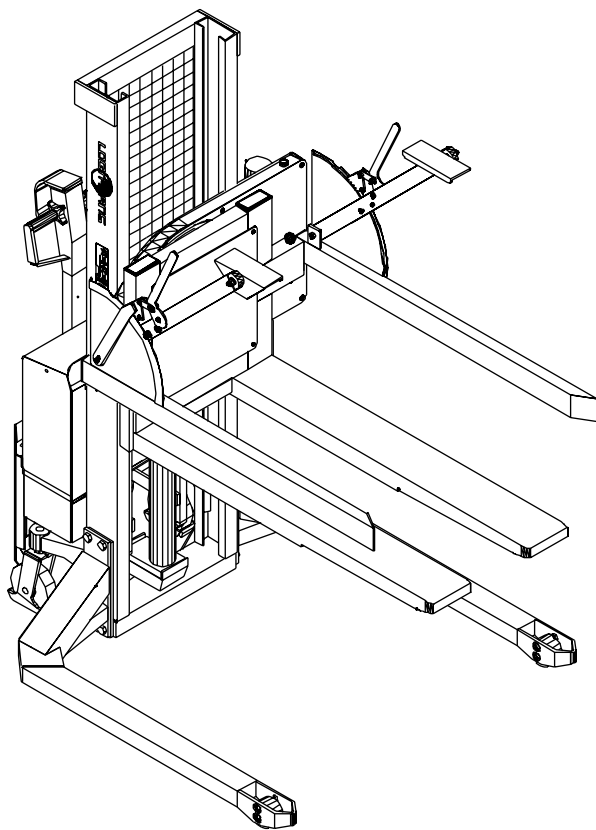


Side-tilting forks

Supplement to instruction manual



LOGITRANS

1.0 User instructions...

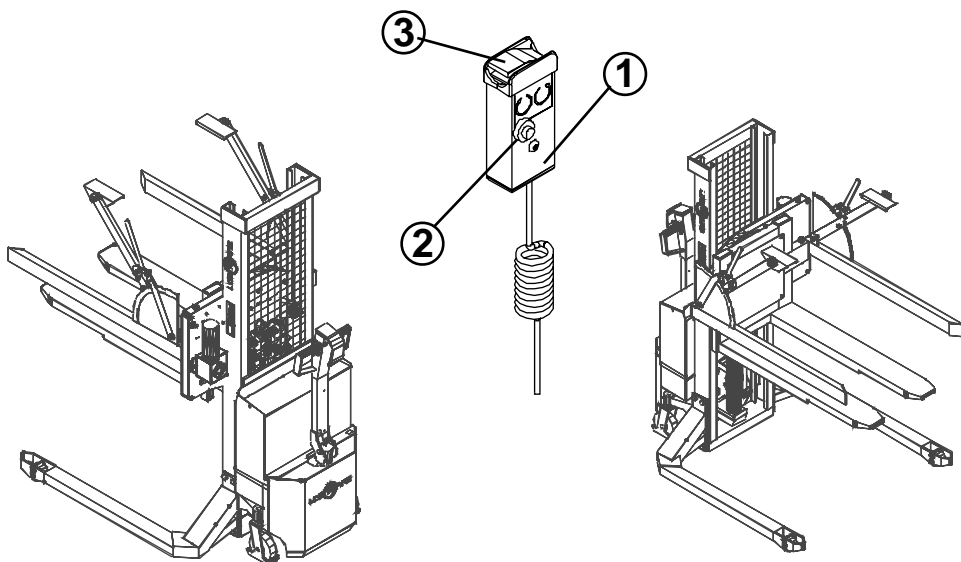
This is how side-tilting forks work:

Conditions: The key must be turned “on” and the emergency stop pulled up.

When the forks are raised to between 250 and 900 mm, they can be tilted. The forks can be tilted from the remote control, pos. 1.

The tilt function operates only to one side at a time, and the forks return to their horizontal position after each tilt. To continue the tilt function from one side past the horizontal fork position, press the button (pos. 2) on the remote control while making sure that the remote control has been set for the required direction of tilt (pos. 3). To lower the side-tilting forks fully down, they must first be placed in horizontal position (on SEHS and SELL the drive handle must be pulled at the same time).

When driving the truck, the side-tilting forks should always be in their horizontal position.

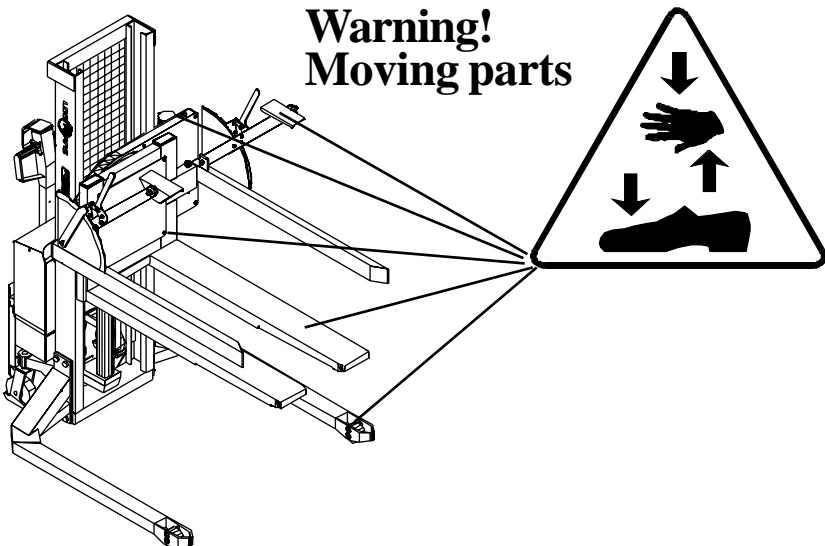
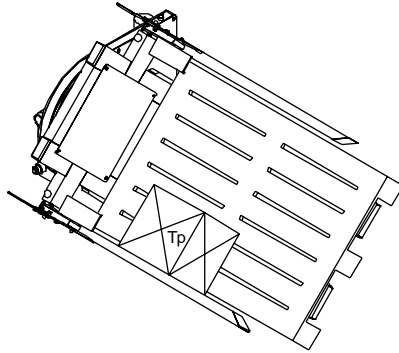
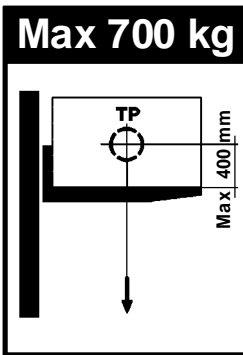


2.0 Personal safety

Warning:

When the forks are tilted, the spatial position of the load changes. In extreme cases, the centre of gravity of the load can change position so much that there is a risk that the stacker will turn over.

The centre of gravity of the load must never be more than 400 mm above the forks.



3.0 Tensioning the chains

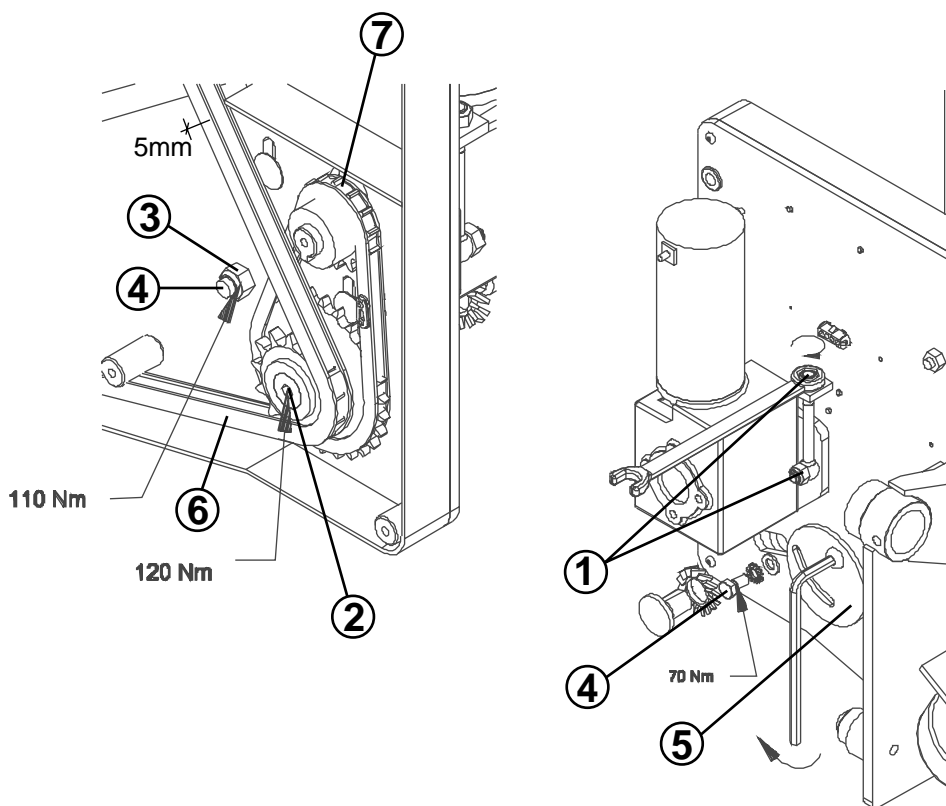
When unloaded forks can be tilted manually about 5 cm, the chains should be retensioned.

Remove the cover from the tilt unit.

Loosen the nuts securing the gear motor (pos. 1), chain-wheel (pos. 2) and adjustment disc (pos. 3+4). Turn the adjustment disc (pos. 5) and tension the fork chain (pos. 6) until the slack is about 5 mm.

Retighten the nuts for the chain-wheel (pos. 2) and adjustment disc (pos.3+ 4).

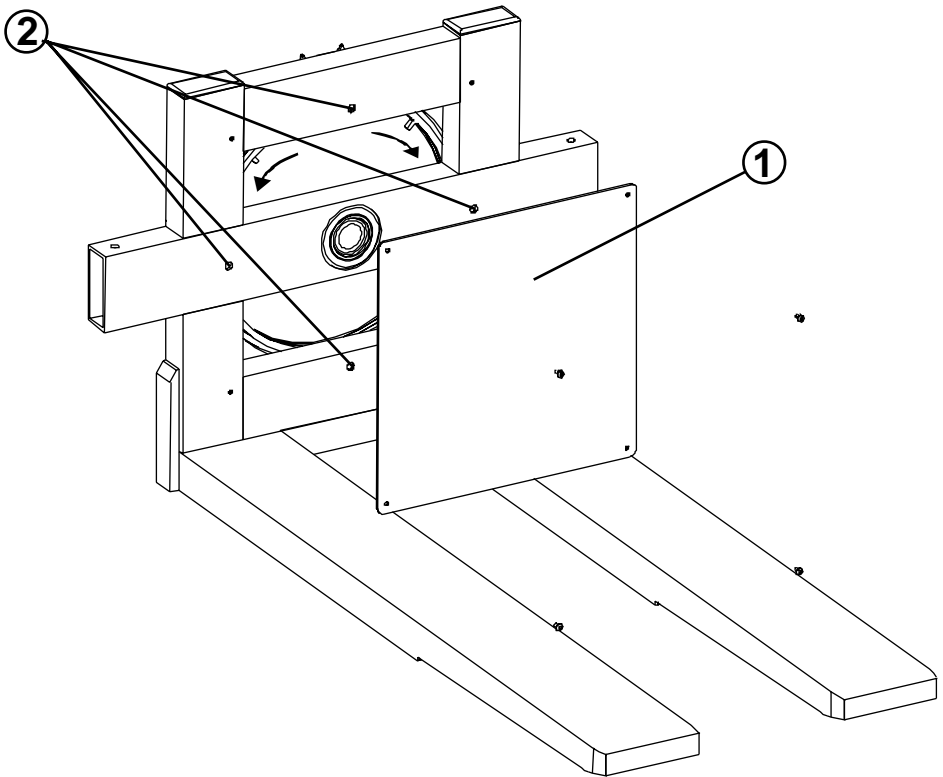
Now tension the gear chain. Retighten the gear motor nuts (pos. 2), to tension the chain (pos. 7.) until the slack is 1-2 mm. Replace the cover.



4.0 Adjustment of tilt stop

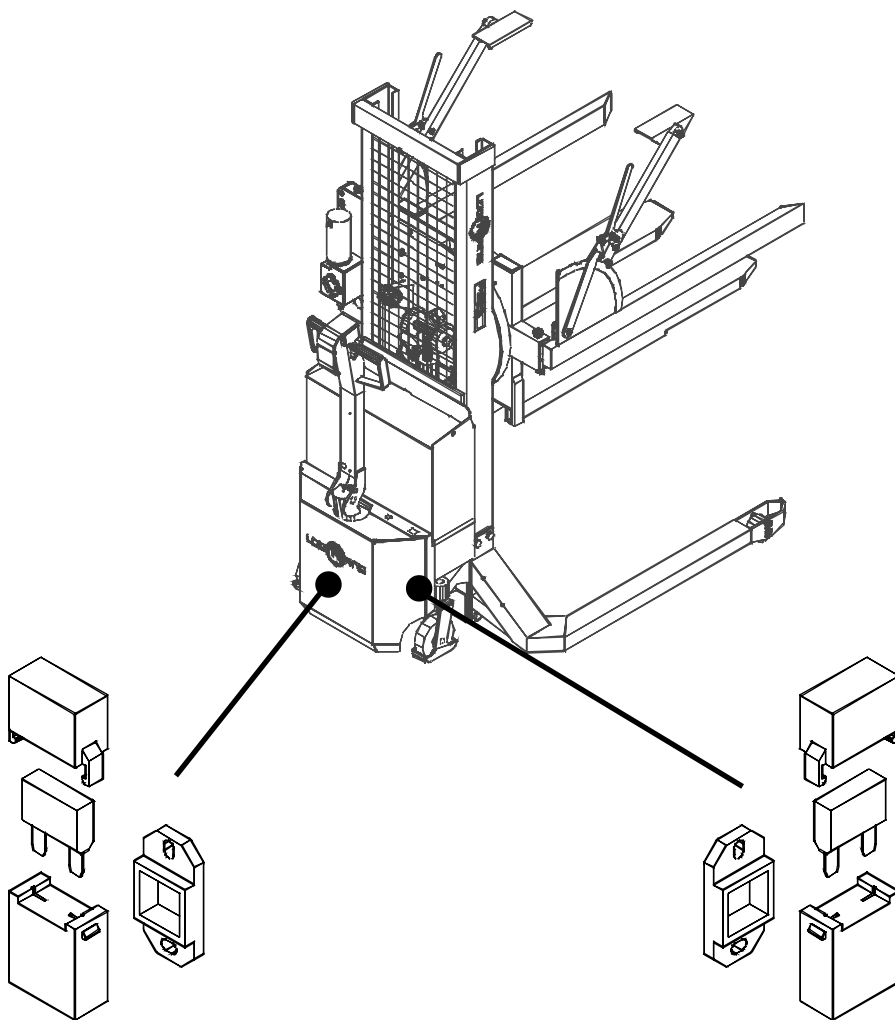
The tilt stop consists of two rings with a pin that activates a switch. The rings can be adjusted independently of each other up to 180° in each direction.

To make an adjustment, remove the cover (pos. 1) and loosen the screws at pos. 2. The tilt stop can now be adjusted. Determine the position of the tilt stop by tilting the forks to the required position.



5.0 Fuse replacement

The electrical system of the side-tilting forks has two fuses: a 7.5 A fuse in the control system and a 30 A fuse for the gear motor. These must be checked when the tilt function fails to operate. On stackers and loglifts with electric lift the fuses are placed behind the battery box. On stackers and loglifts with electric propulsion they are placed behind the rear cover.

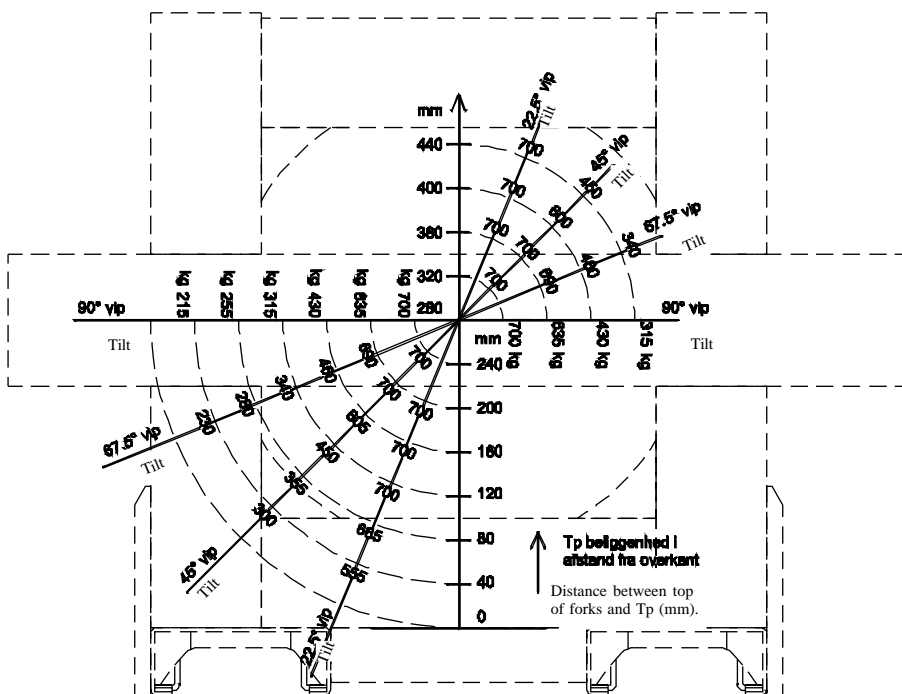


6.0 Load

The maximum load of the side-tilting forks is 700 kg/500 Nm.

(See load diagram below).

The longer the distance between the centre of gravity of the load and the pivot centre of the side-tilting forks, the lighter the load must be.



7.0 Dimensions

Side-tilting forks 560 x 1150 mm with clamping arms:

Pallet or box width 800 or 1000 mm.

Frame height measured from top of forks 400 – 1000 mm.

Tilt function from 250-900 mm, measured at the top of the forks in horizontal position. Tilt in either direction 5 – 180°.

Side-tilting forks 680 x 1150 mm with clamping arms:

Pallet or box width 1000 or 1200 mm.

Frame height measured from top of fork 400 – 1000 mm.

Tilt function from 250-900 mm, measured at the top of the forks in horizontal position. Tilt in either direction 5 – 180°.

Side-tilting forks 560 x 1150 mm with support arms:

Pallet or box width 800 or 1000 mm.

Tilt function from 250-900 mm, measured at the top of the forks in horizontal position. Tilt in either direction 5° to max. 90°, i.e. there is a risk of the pallet/box falling off the fork.

Side-tilting forks 680 x 1150 mm with support arms:

Pallet or box width 1000 or 1200 mm.

Tilt function from 250-900 mm measured at the top of the forks in horizontal position. Tilt in either direction 5° to max. 90°, i.e. there is a risk of the pallet/box falling off the fork.

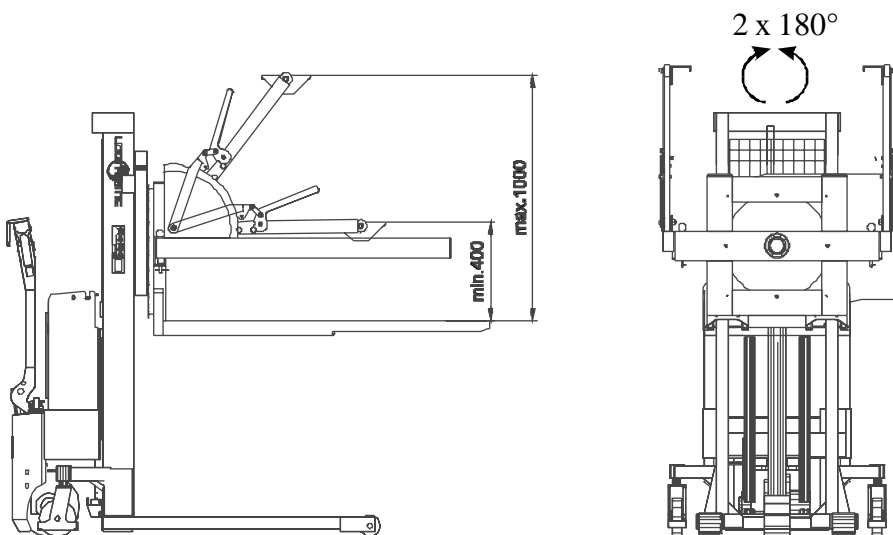
With max. load (500 Nm) the tilt cycle becomes:

(1 cycle: from -90° to +90° once)

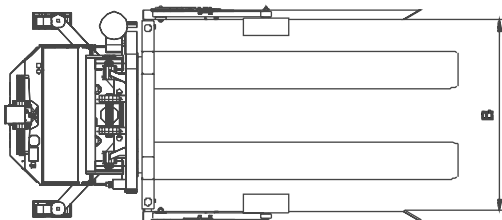
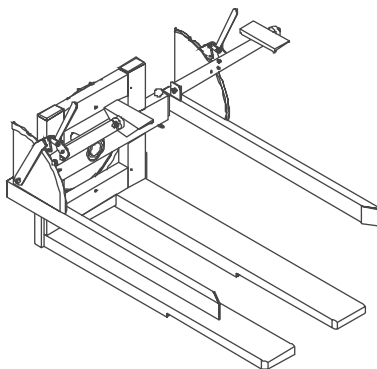
12 V version with 130 Ah battery: 565 times.

The figures above assume that battery current is not used for other purposes, e.g. lift/lower, propulsion, level control, etc.

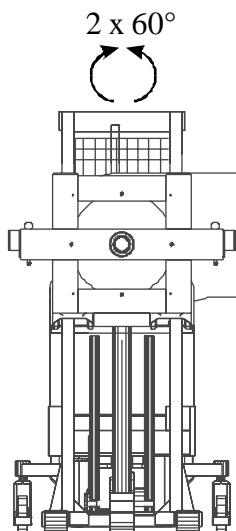
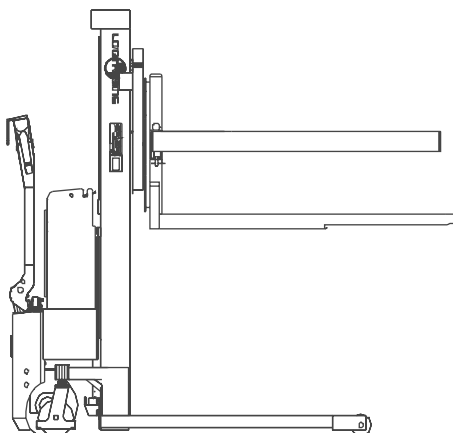
7.1 Clamping arms



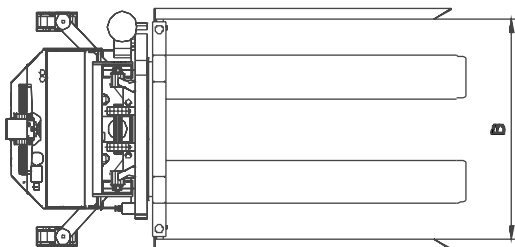
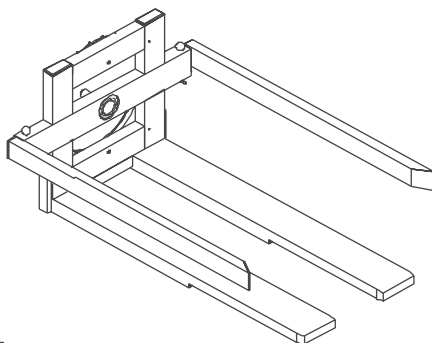
Side-tilting forks 560 x 1150 mm
W = box width 800 or 1000 mm
Forks 680 x 1150 mm
W = box width 1000 or 1200 mm



7.2 Support arms



Side-tilting forks 560 x 1150 mm
W = box width 800 or 1000 mm
Side-tilting forks 680 x 1150 mm
W = box width 1000 or 1200 mm



Manufacturer's declaration

Machine Directive 98/37/EC, Appendix II, B

LOGITRANS

Nisap Maskinfabrik A/S

Hillerupvej 35

DK 6760 Ribe

hereby declares that

Logitrans Side-tilting forks

series No.: _____

has been designed for incorporation in (building into) CE-marked Logitrans stackers and Logilifts.

Logitrans stackers and Logilifts are basic units covered by Machine Directive 98/37/EC with subsequent amendments. They carry the CE mark and are also covered by a declaration of conformity.

The Logitrans Side-tilting forks fulfill all requirements of the Machine Directive only when it is used in conjunction with CE-marked Logitrans stackers and Logilifts.

Product type declaration of 15.11.1999

Name: Erling Pedersen

Position: Product chief

Company: Nisap Maskinfabrik A/S

Signature: 

Periodic safety inspection

Safety inspection should be performed by the supplier or other qualified persons at least once each year, unless local regulations state otherwise.

Such inspection shall be performed in accordance with the instruction manual. Test instructions and test forms are available from the distributor.