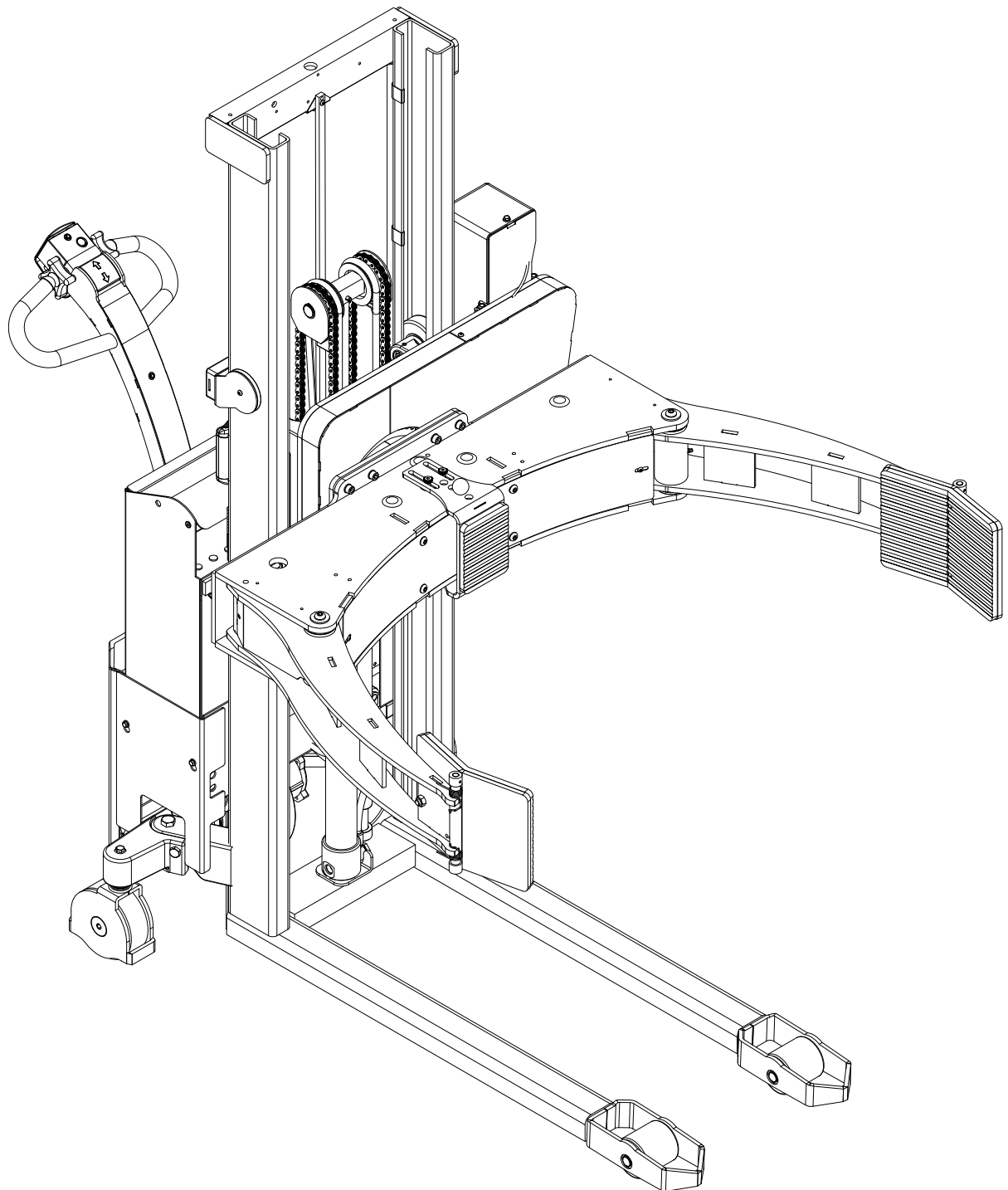
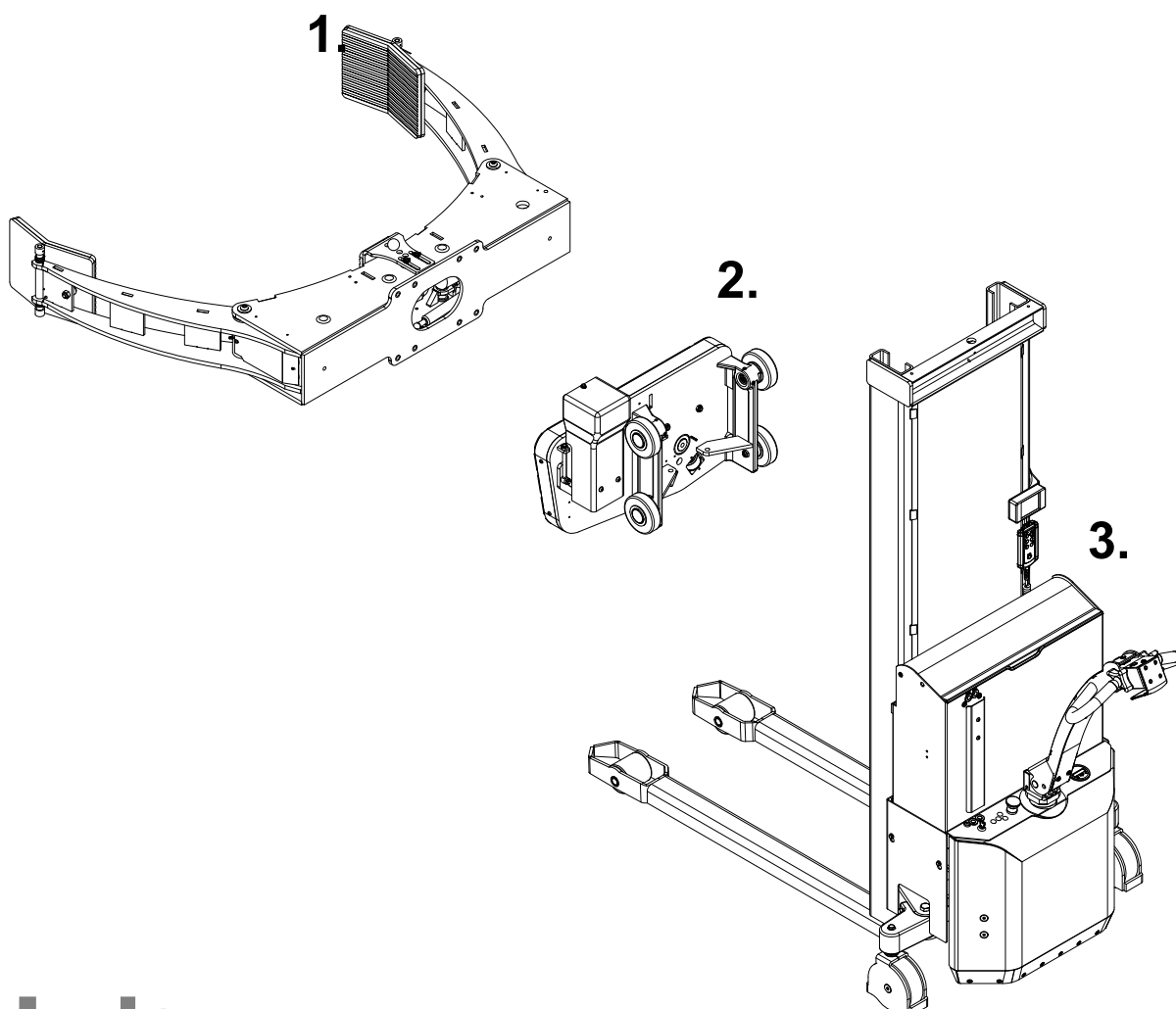


# SEFRRE / SEFSRRE

## Spare parts





# Index

<b>1.Reel clamp.....</b>	<b>3</b>
<b>2.Rotator console.....</b>	<b>6</b>
<b>3.Parts on truck.....</b>	<b>11</b>

The correct spare parts are obtainable from your dealer.  
When ordering, please state:

- Serial number of the product
- Model number
- Spare part number

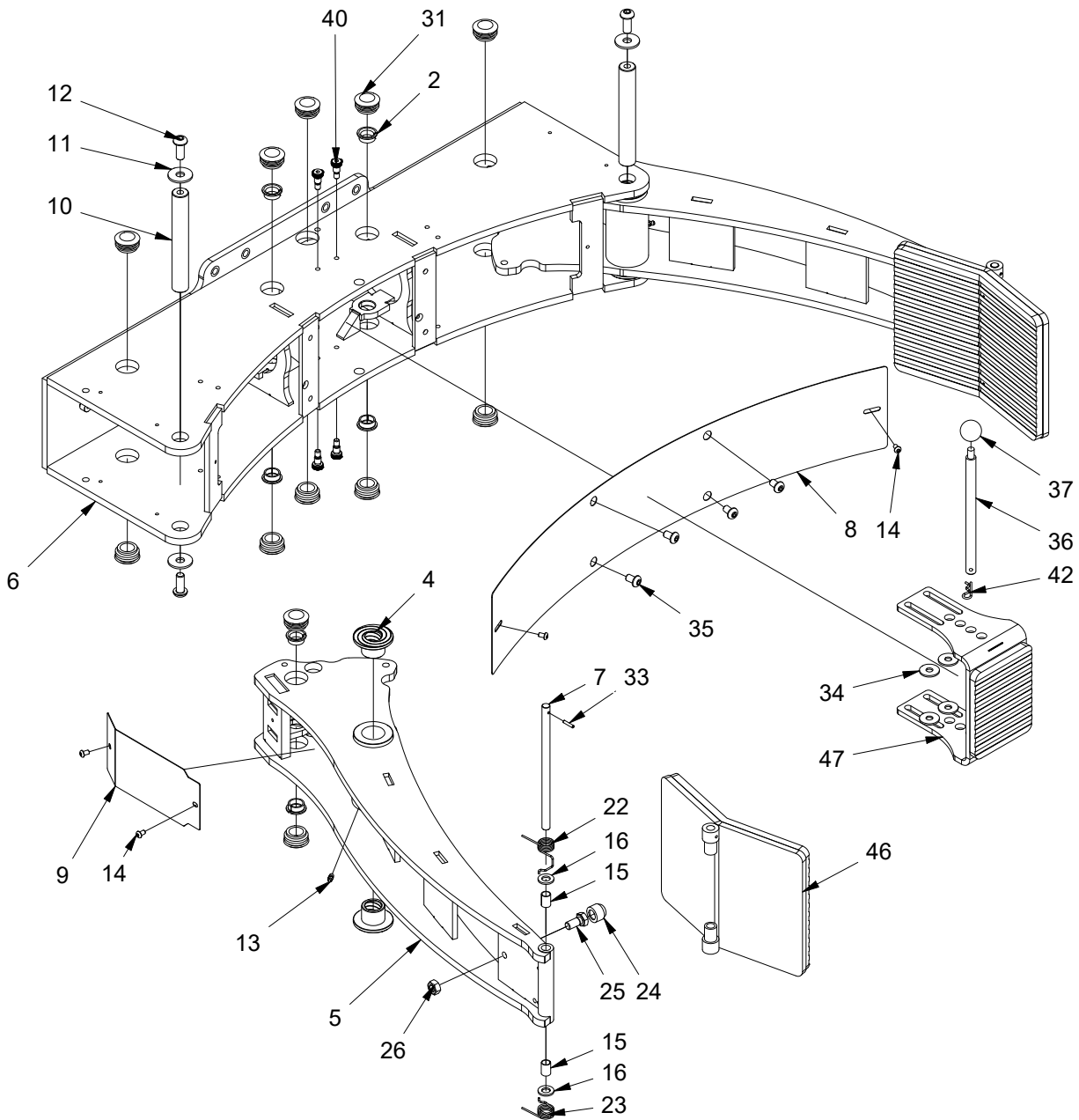
Always read the comments of a the lists  
as it may be necessary to have to consider different  
Part Numbers in relation to the vehicle's serial number.

When ordering spare parts marked with "Multiple colours",  
please state one of the following colour codes:

- 1: RAL 2002 (Logitrans red)
- 2: RAL 1028 (yellow)
- 3: An other RAL colour
- 6: black

Ex. 425050-1 => 425050-1-1

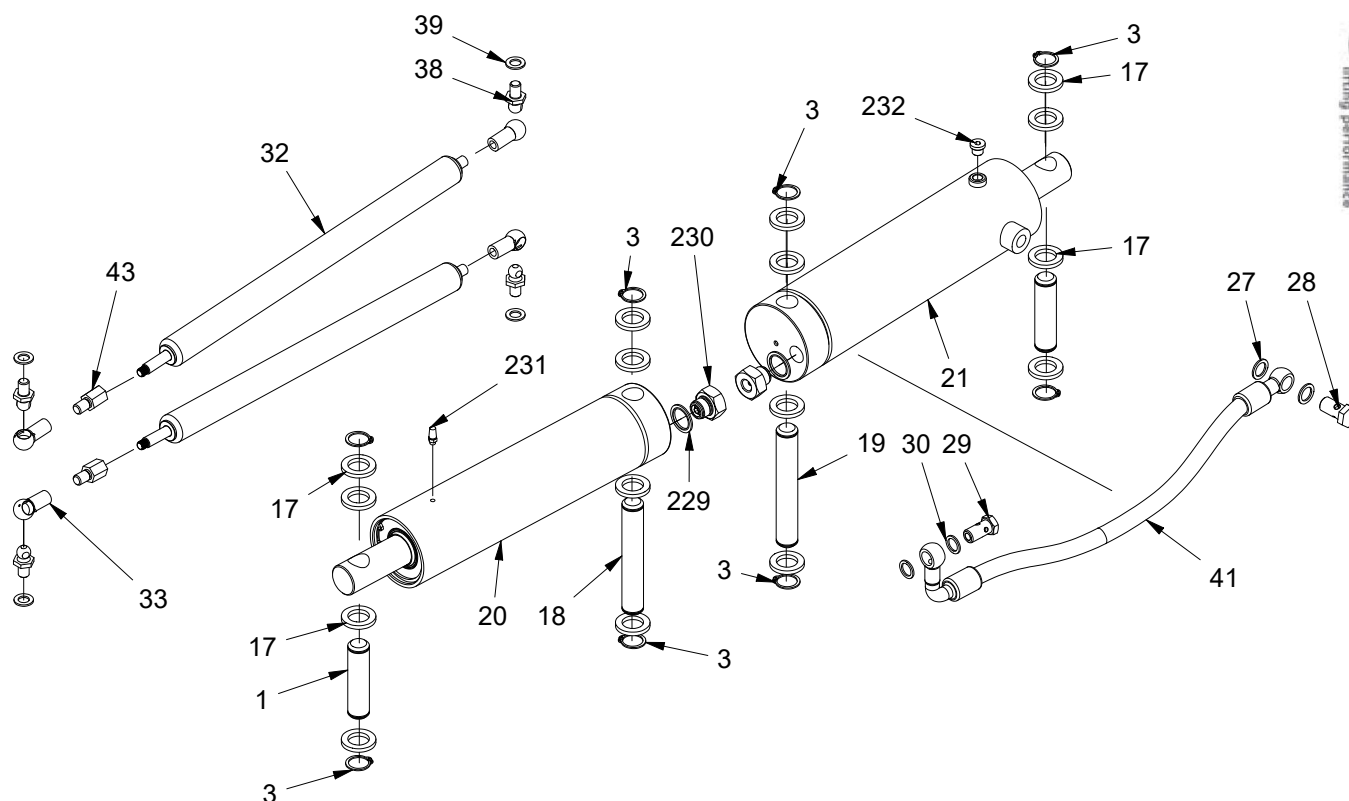
# Reel clamp



# Reel clamp

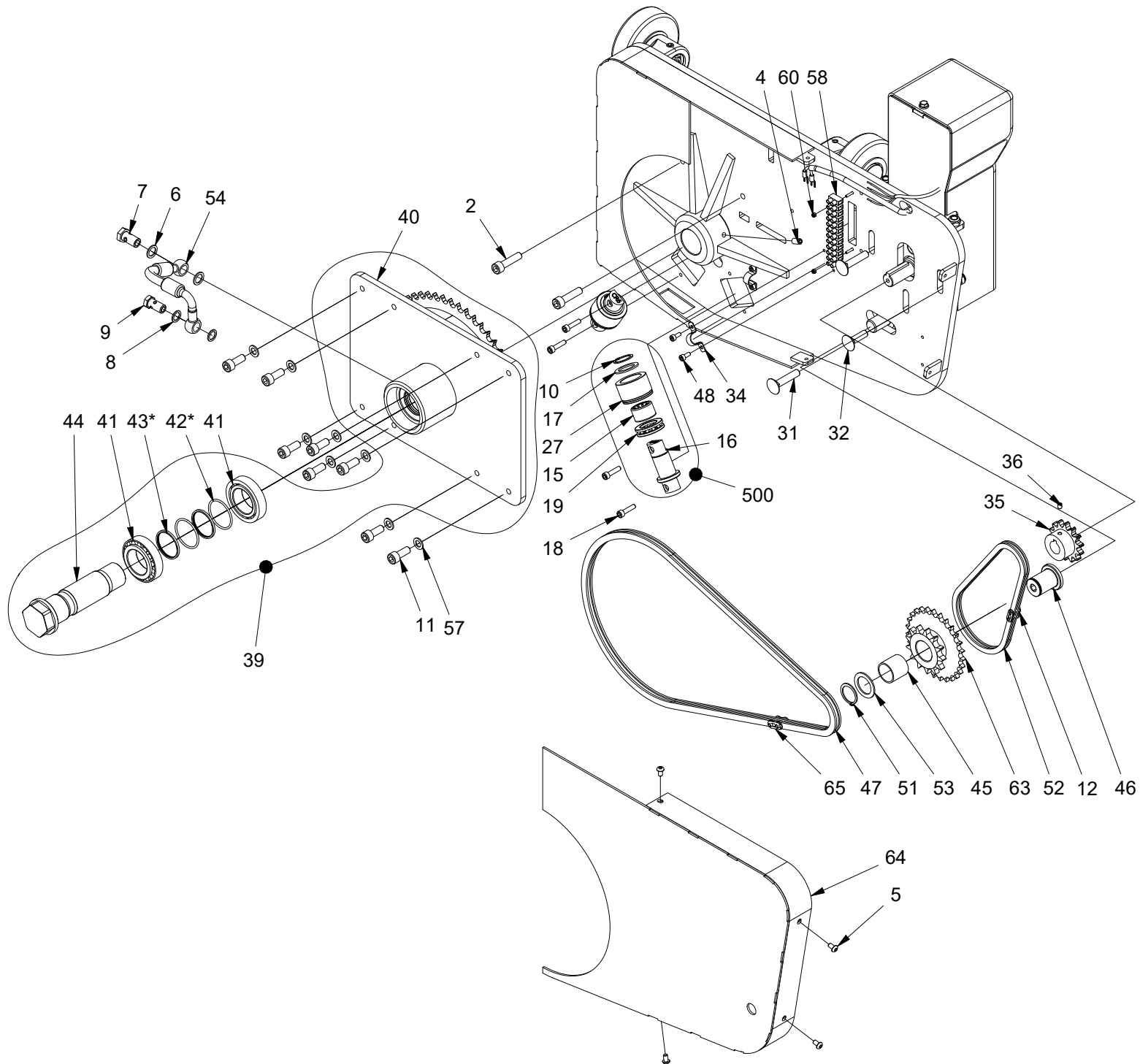
Item	Part no.	Qty	Description	Note
2	404062	8	Bushing	
4	445220	4	Bronze bearing	
5	445200	2	Gripping arm	
6	445201	1	Gripping console	
7	445225	2	Axle	
8	445218	1	Front cover	
9	445219	2	Side cover	
10	445224	2	Axle f/arm	
11	929130	4	Washer	
12	919230	4	Screw	
13	990012	2	Grease nipple	
14	919610	6	Screw	
15	948123	4	Bushing	
16	924130	4	Washer	
22	445152	2	Return spring	
23	445153	2	Return spring	
24	999012	2	Rubber cap	
25	915225	2	Screw	
26	922120	2	Nut	
31	993036	14	Plug cap	
33	931420	2	Spring pin	
34	924112	4	Washer	
35	919120	4	Screw	
36	445244	1	Locking pin	
37	941310	1	Bakelite ball	
40	919226E	4	Bolt	
42	939002	1	R clip	
46	445202K	2	Gripping pad	
47	445243K	1	Adjustable support plate cpl.	

# Reel clamp



Item	Part no.	Qty	Description	Note
1	445221	2	Axle	
3	933200	8	Locking ring	
17	929203	16	Axle washer	
18	445223	1	Cylinder assembly axle 2	
19	445222	1	Cylinder assembly axle 1	
20	445227	1	Slave cylinder	Items 229-230-231 included
21	445226	1	Primary cylinder	Items 229-230-232 included
27	905145	2	Copper washer	
28	971146	1	Banjo bolt	
29	973015	1	Banjo bolt	
30	905143	2	Copper washer	
32	995140R	2	Gas extension spring	Items 33-43 included
33	995141	4	Ball joint	
38	445245	4	Ball stud bolt	
39	924101	4	Washer	
41	445112	1	Hydraulic hose	
43	445247	2	Spring connector	
229	905207	2	Sealing ring	
230	402350-3	2	Safety valve cpl.	
231	966115	1	Silencer/filter	
232	919111	1	Plug	
	445900-1	1	Primary cyl. repair kit	
	445900-2	1	Slave cyl. repair kit	

# Rotator console



# Rotator console

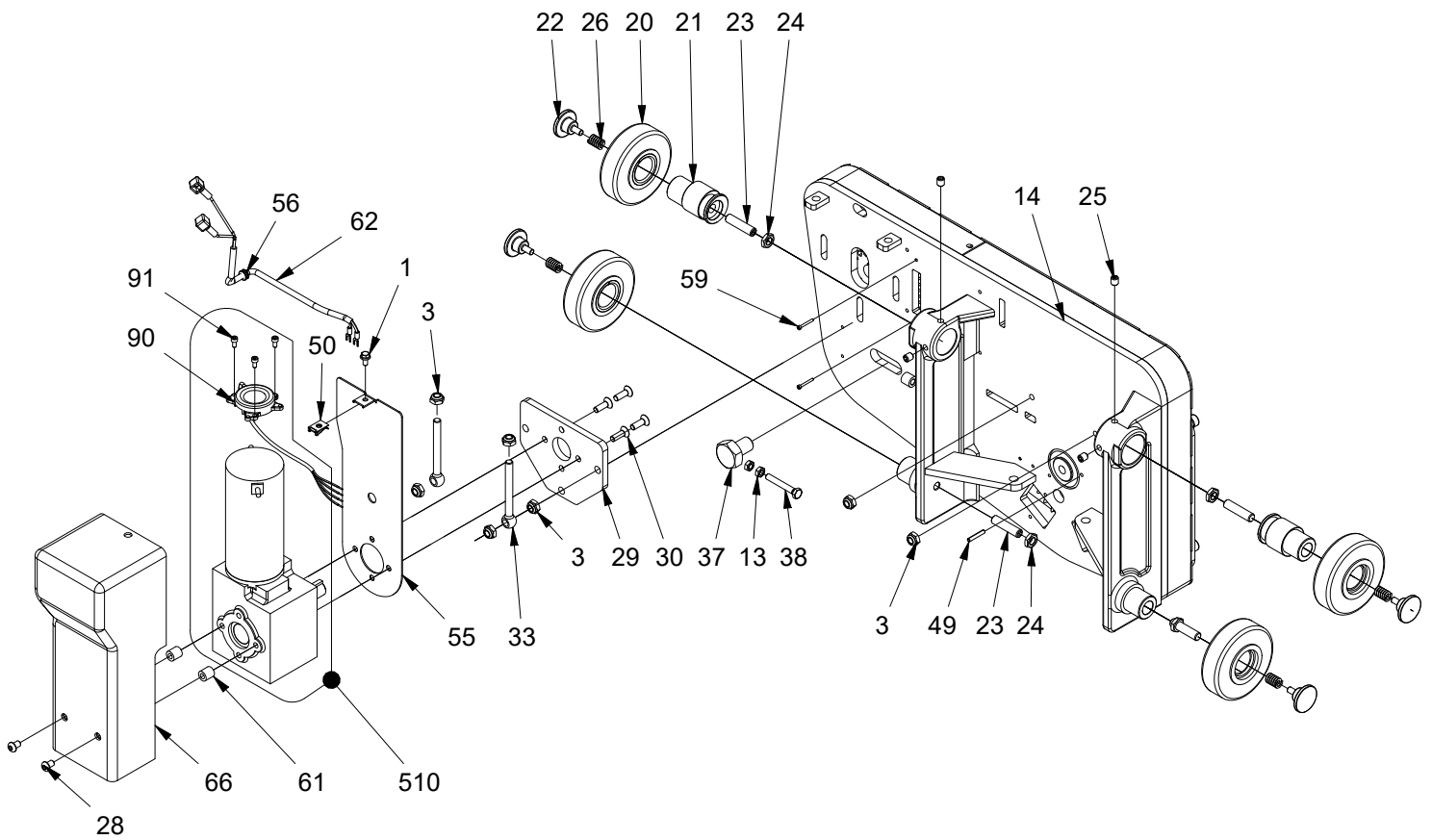
Item	Part no.	Qty	Description	Note
2	912140	2	Screw	
4	910816	1	Pointed screw	
5	919610	4	Screw	
6	905145	2	Copper washer	
7	971146	1	Banjo bolt	
8	905143	2	Copper washer	
9	973015	1	Banjo bolt	
10	933250	2	Circlip	
11	912125	8	Screw	
12	951021	1	Chain connector	
15	949252	2	Roller bearing	
16	404256	2	Support axle	
17	924250	2	Washer	
18	912625	4	Screw	
19	945025	2	Bearing	
20	404073K	4	Mast roll with bushing	
27	445026	2	Support roller	
31	919151	2	Bolt	
32	919136	1	Bolt	
34	989050	2	Holder for cable	
35	403589U	1	Chain wheel	
36	910608	1	Pointed screw	
39	445023K	1	Hydraulic console electri, cpl	Item 40-41-42-43-44 incl. Multiple colours
40	445023	1	Hydraulic console	Multiple colours
41	945468	2	Roller bearing	
42*	900425	2	O-ring	Replace at the same time as 909400
43*	909400	2	Rotation sealing	Replace at the same time as 900425
44	445025	1	Main axle	
45	948313	1	Bushing	
46	404258	1	Chain wheel pin	
47	445038	1	Chain	
48	912512	4	Screw	
51	933280	1	Circlip	
52	403059	1	Chain	
53	924280	1	Washer	
54	445110	1	Hydraulic hose	
57	924101	8	Washer	
58	982138	1	Terminal block	

# Rotator console

Item	Part no.	Qty	Description	Note
60	921030	2	Lock nut	
63	403040	1	Chain wheel	
64	445012	1	Cover	Multiple colours
65	951042	1	Chain connector	
500	404255R	1	Support roller Ø45 cpl.	Items 10-15-16-17-19-27 included
	445901	1	Rotation sealings repair kit	All items marked * incl.



# Rotator console

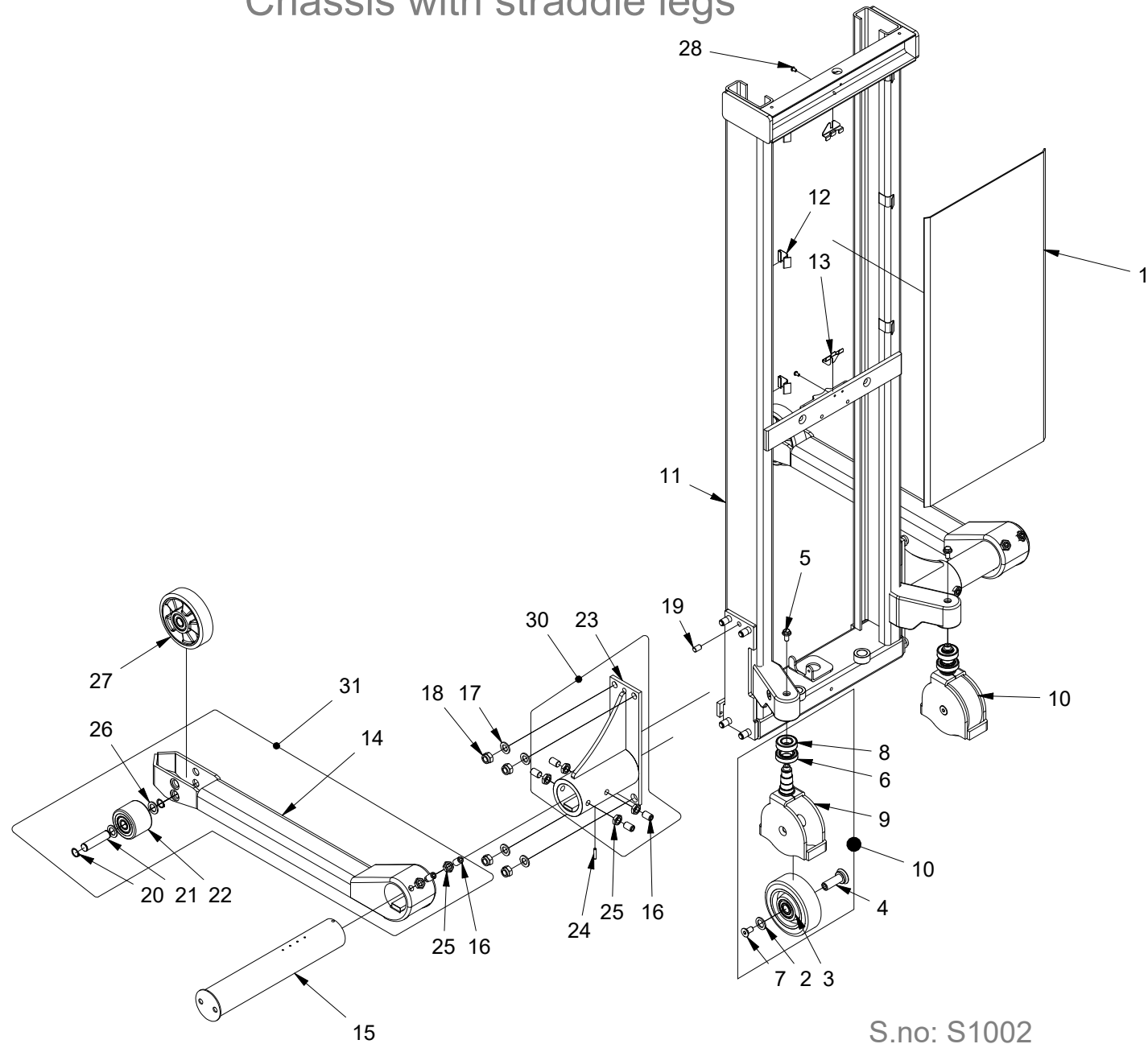


# Rotator console

Item	Part no.	Qty	Description	Note
1	916612	1	Screw	
3	921100	7	Lock nut	
13	922080	2	Nut	
14	445005	1	Rotator console	Multiple colours
20	404073K	4	Mast roll with bushing	
21	404076	2	Eccentric axle	
22	420153	4	Guide pin	
23	910250	4	Screw	
24	920122	4	Counter nut	
25	910012	4	Screw	
26	958144	4	Spring	
28	919812	2	Screw	
29	403691	1	Flange	Multiple colours
30	911825	4	Screw	
33	919110	2	Eye bolt	
37	404257	1	Bolt	
38	919855	1	Screw	
49	937530	1	Tubular	
50	920062	1	Plate nut	
55	445055	1	Shield plate	
56	530026	1	Rubber plug	
59	912326	2	Screw	
61	929816	2	Spacer	
62	150021	1	Cable f/gear motor	
66	404225R	1	Motor cover	
90	985810	1	Encoder	
91	912510	3	Screw	
510	985260WE	1	Gearmotor 24V Rotator	

# Parts on truck

## Chassis with straddle legs



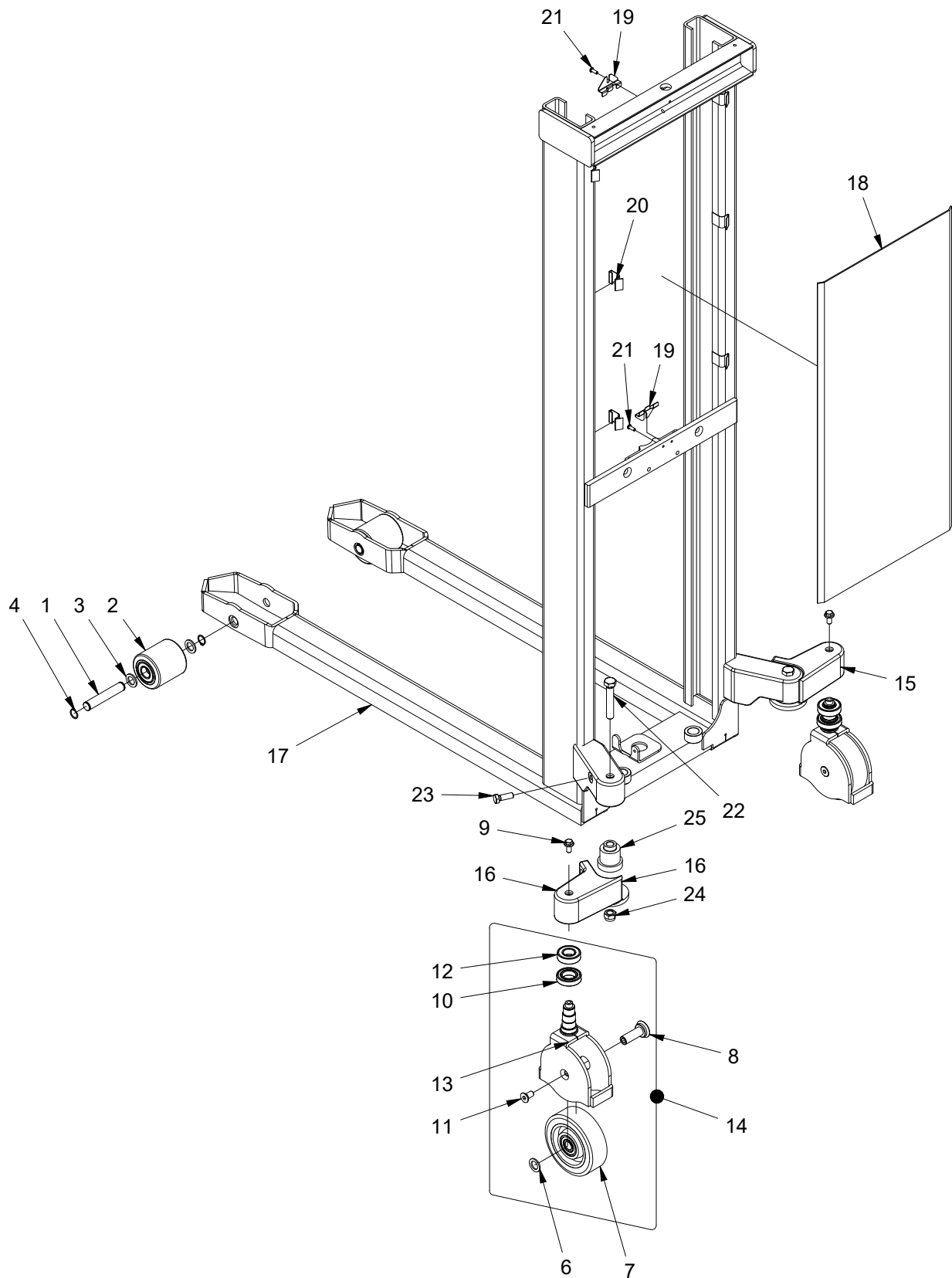
# Parts on truck

## Chassis with straddle legs

Item	Part no.	Qty	Description	Note
1	420243	1	Safety scr.1600/1900/2850/3300	
2	400159	2	Nylon Washer	
3	405135	2	Support wheel, vulk. Ø150	
4	405959	2	Support wheel axle	
5	916120	2	Screw	
6	946060	2	Ball bearing	
7	911225	2	Screw	
8	946253	2	Ball bearing	
9	405864W	2	Wheel fork SELF welded	
10	405864STK	2	Support wheel, cpl	
11	405763	1	Chassis SELF 1600 straddle	Multiple colours
12	404495	6	Holder for safety screen	
13	404458	2	Top clips f/safety screen	
14	404327-1 404327-2 404327-3	2	Straddle leg short Straddle leg medium Straddle leg long	Multiple colours
15	420267-4 420267-3 420267-2 420267-1	2	Middle piece 1240-1422 Middle piece 1124-1306 Middle piece 942-1124 Middle piece 850-942	
16	910625	12	Pointed screw	
17	924016	8	Washer	
18	921161	8	Lock nut	
19	932120	2	Pin	
20	933200	4	Locking ring	
21	402846	2	Wheel axle	
22	402503L	2	Fork wheel,vulk. with bearings	
23	420291-1	2	Carriage f/strad. legs, large	Multiple colours
24	932630	2	Slotted pin	
25	920160	12	Contra nut	
26	400159	4	Nylon Washer	
27	400757L	2	Steering wheel,vul.with bearin	
28	919610	2	Screw	
30	420290-1K 420291-1K	2	Carriage f/stradd. legs, small Carriage f/stradd. legs large	Multiple colours
31	404327-1-1K 404327-2-1K 404327-3-1K	2	Legs heavy Cpl. short V8 Legs heavy Cpl. medium V8 Legs heavy Cpl. long V8	Multiple colours

# Parts on truck

## Chassis



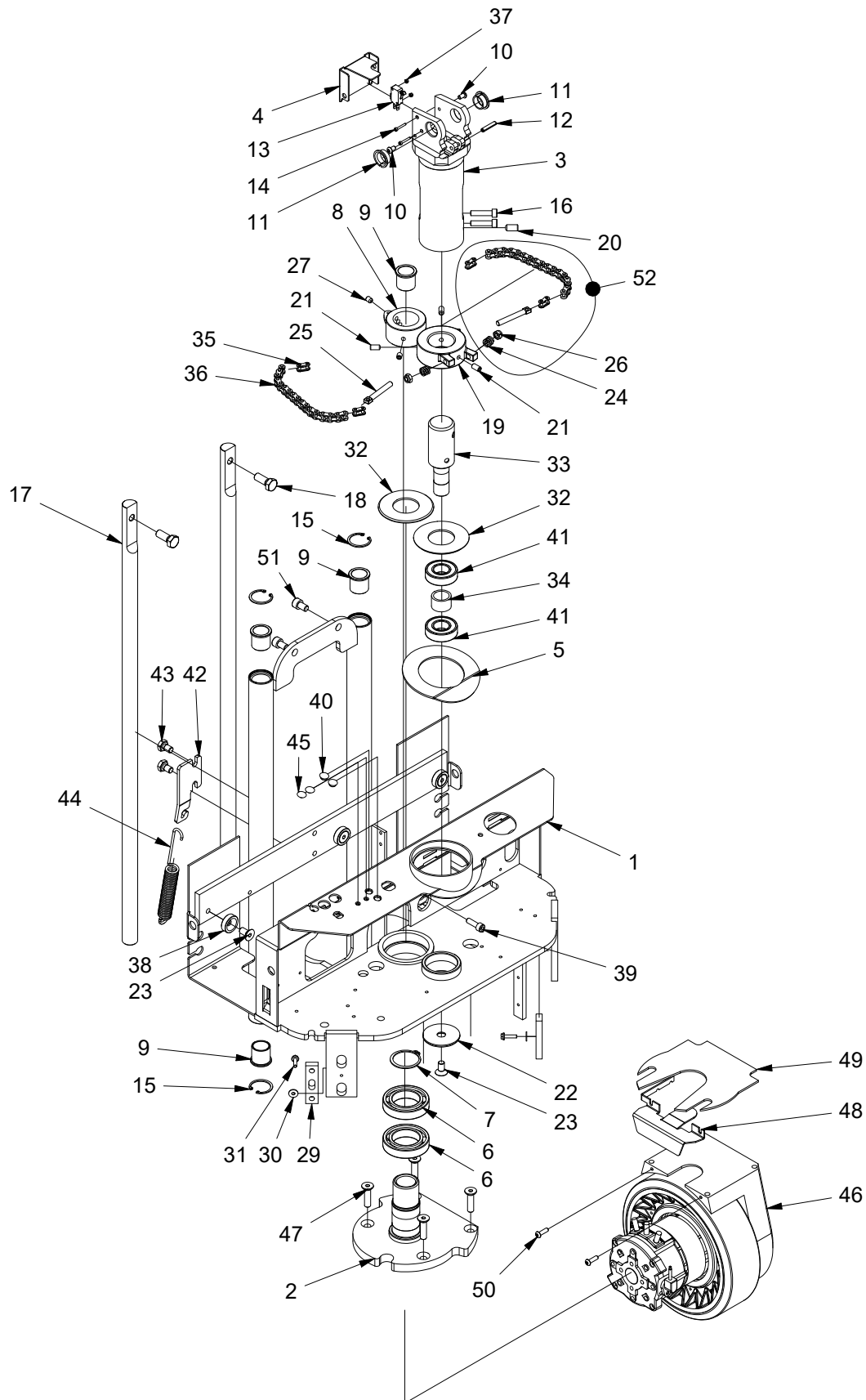
# Parts on truck

## Chassis

Item	Part no.	Qty	Description	Note
1	401932	2	Axle f/fork wheel	
2	300041L	2	Fork wheel Ø85 vulkol	
3	400159	4	Nylon Washer	
4	933200	4	Locking ring	
6	400159	2	Nylon Washer	
7	405135	2	Support wheel, vulk. Ø150	
8	405959	2	Support wheel axle	
9	916120	2	Screw	
10	946060	2	Ball bearing	
11	911225	2	Screw	
12	946253	2	Ball bearing	
13	405864W	2	Wheel fork SELF welded	
14	405864STK	2	Support wheel, cpl	
15	405942H	1	Expansion bracket right SELF	Multiple colours
16	405942V	1	Expansion bracket left SELF	Multiple colours
17	445746-3	1	Chassis SELF RR 1600	Multiple colours
18	420243	1	Safety scr. 1600/1900/2850/3300	
19	404458	2	Top clips f/safety screen	
20	404495	6	Holder for safety screen	
21	919617	2	Screw	
22	915691	2	Screw	
23	915235	2	Screw	
24	921161	2	Lock nut	
25	405943	2	Fix axel f/wheel bracket	

# Parts on truck

## Propulsion chassis



# Parts on truck

## Propulsion chassis

Item	Part no.	Qty	Description	Note
1	405954	1	Propulsion chassis SELF AC	
2	405730	1	Fittings for wheel motor, cpl.	
3	405684	1	Middle piece	
4	405707	1	Cover plate	
5	405660	1	Rubber washer	
6	946092	2	Ball bearing	
7	933450	1	Circlip	
8	405733	1	Chain wheel o.drivemotor	
9	948259	5	Bushing	
10	919610	2	Screw	
11	404062	2	Bushing	
12	931630	1	Straight Pin	
13	982159	1	Micro switch with reel 16 Amp	
14	912320	2	Ch Screw	
15	934360	4	Circlip	
16	912835	2	Screw	
17	405306	2	Slidingaxle f/Propulsion chass	
18	915230	2	Screw	
19	405737	1	Chain wheel u.handle	
20	910021	1	Screw	
21	910818	3	Pointed screw	
22	400624E	1	Cover washer	
23	911120	7	Cs Screw M10x20	
24	958135	1	Spring for chain adjuster	
25	405229U	1	Chain adjuster	
26	921080	1	Lock nut	
27	910810	3	Pointed screw	
29	405162	2	Clamp plate	
30	924055	2	Washer	
31	916520	2	Screw	
32	405897	2	Supporting washer chain wheel	
33	405731	1	Axle for chain wheel SELF	
34	400647	1	Spacer pipe wheel fork	
35	951041	2	Chain connector	
36	951040	1	Chain	
37	927030	2	Lock nut	
38	405279	6	Supporting roller	
39	912825	1	Screw	
40	993056	2	Plastic plug	



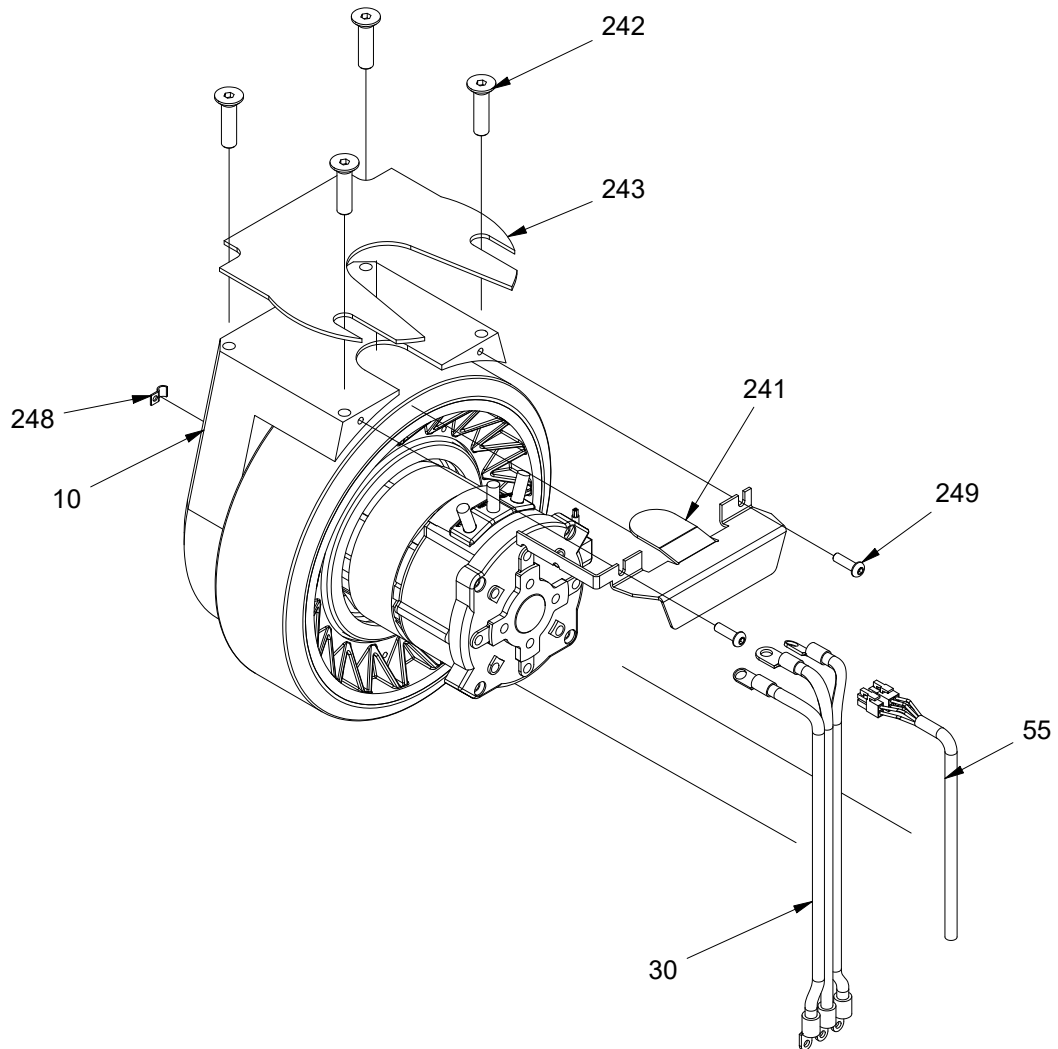
# Parts on truck

## Propulsion chassis

Item	Part no.	Qty	Description	Note
41	946253	2	Ball bearing	
42	405965	1	Spring bracket	
43	915116	2	Screw	
44	958555	1	Compression spring	
45	993057	2	Plastic plug	
46	985219	1	Drive motor rubber 76 mm	
47	911140	4	Screw M10x40	
48	405650	1	Fittings f/cables	
49	405697	1	Distance plate wheel motor	
50	919620	2	Screw	
51	912116	2	Screw	
52	951040K	1	Chain cpl.	

# Parts on truck

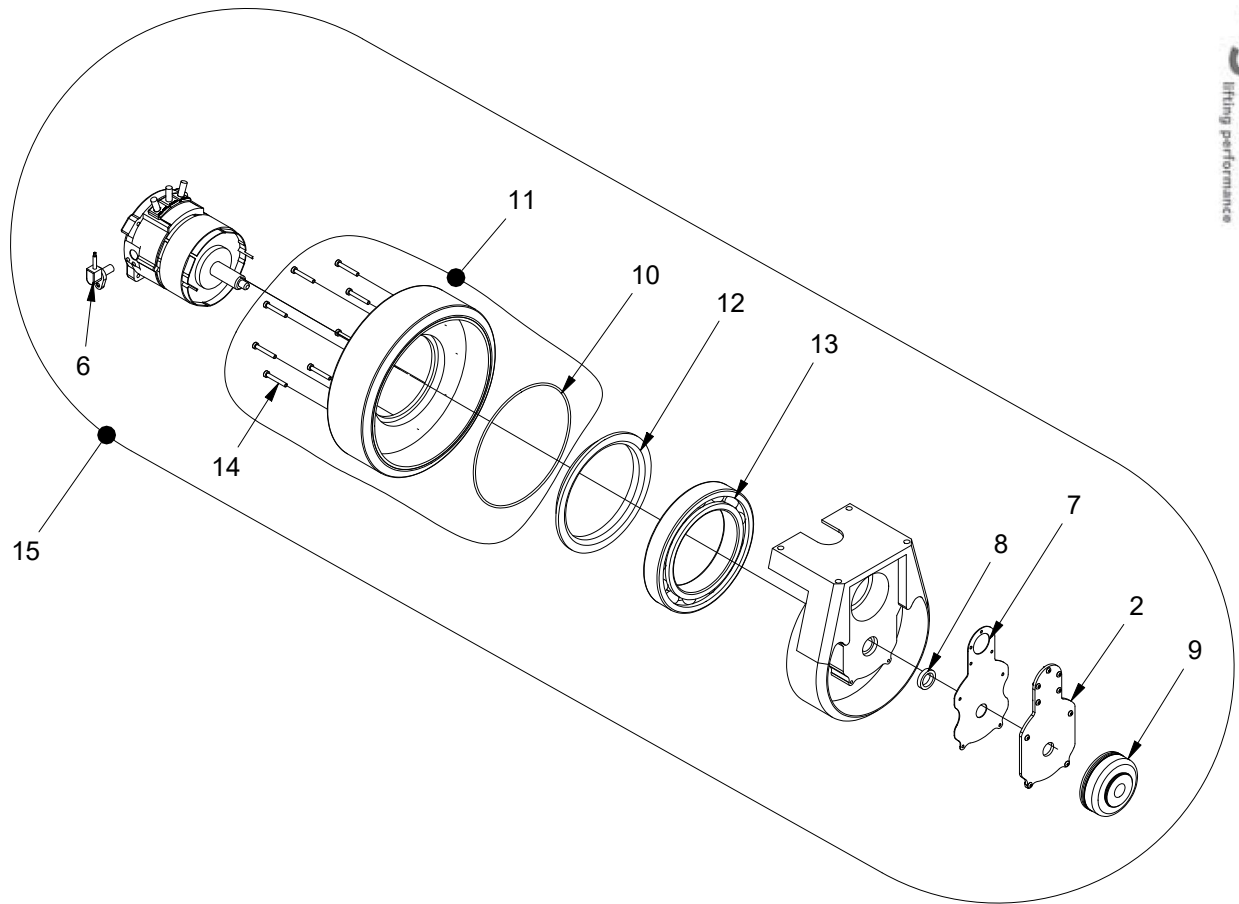
## Drive motor



Item	Part no.	Qty	Description	Note
10	985219	1	Drive motor rubber 76 mm	
30	140398	1	Set of Main Current Cables	
55	140396	1	Encoder/brake cable	
241	405650	1	Fittings f/cables	
242	911140	4	Screw M10x40	
243	405697	1	Distance plate wheel motor	
248	980204	1	Cable holder	
249	919620	2	Screw	

# Parts on truck

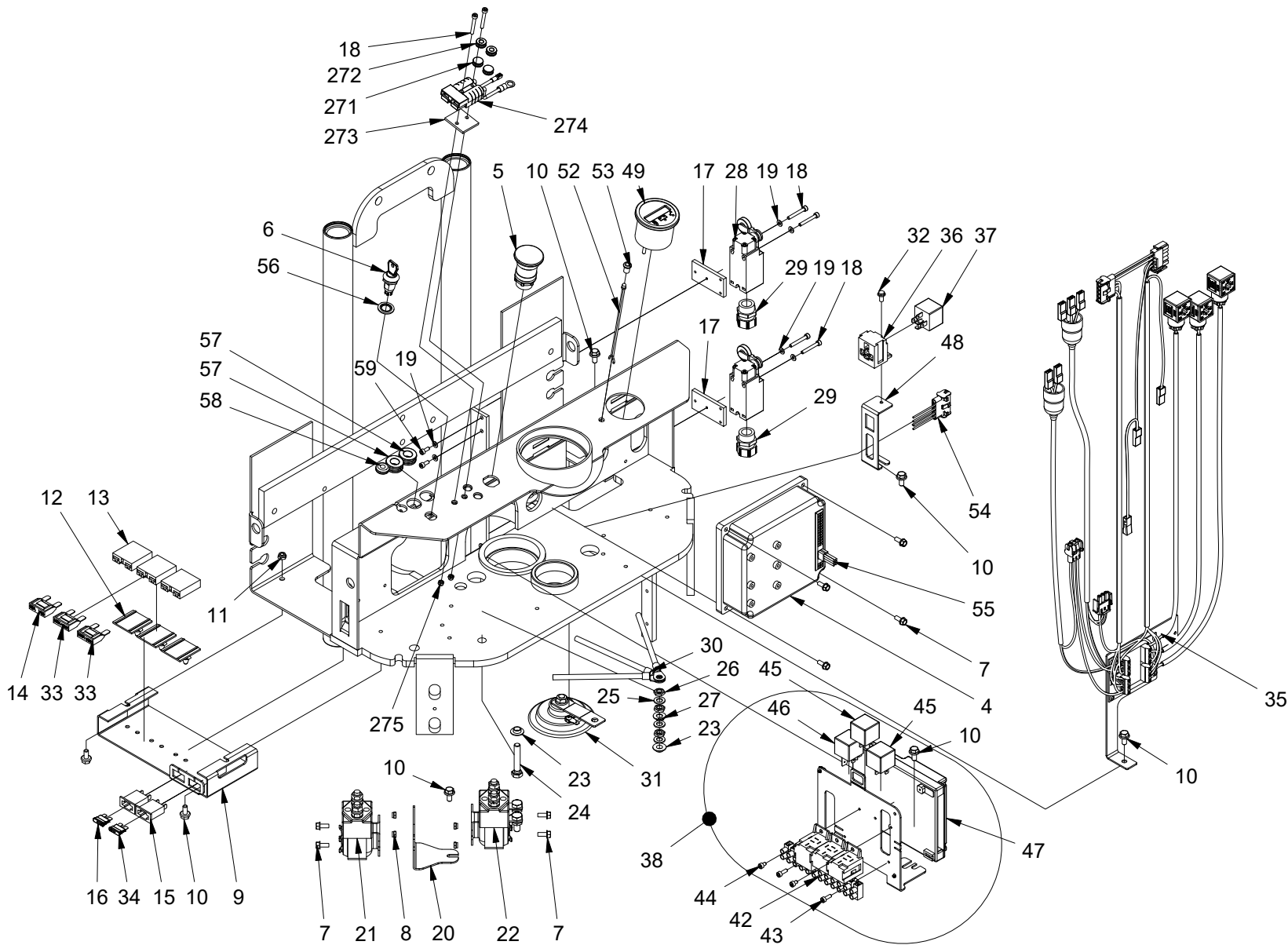
## Drive motor



Item	Part no.	Qty	Description	Note
2	985012	1	Brake plate	
6	985070R	1	Encoder f/drive motor	
7	985011-1	1	Gasket	
8	985063-1	1	Gasket at the brake	
9	985069	1	Brake	
10	985068	1	O-ring f. wheel bandage	
11	985126R	1	Wheel dia250x76 Rubber	Items 10. and 14. included
12	985067	1	Gasket	
13	985215	1	Bearing	
14	919535	8	Screw	
15	985219	1	Drive motor rubber	

# Parts on truck

## Propulsion chassis - el



# Parts on truck

## Propulsion chassis - el

Item	Part no.	Qty	Description	Note
4	982523	1	Controller	
5	982190	1	Emergency stop switch	
6	982300	1	Key switch with two keys	
7	913512	8	Screw	
8	921050	4	Lock nut	
9	405710	1	Fuse box	
10	916612	7	Screw	
11	921060	4	Lock nut	
12	982112-1	3	Fitting plate	
13	982160-1	3	Mega blade fuse holder	
14	982117	1	Maxi Fuse 40A	
15	982111	2	Fuse holder	
16	982124	1	Fuse 10A	
17	405291	2	Fittings for contact	
18	912430	6	Screw	
19	924040	8	Washer	
20	405734	1	Relays plate SELF	
21	982084	1	Relay 24 Volt	
22	982069	1	Relay	
23	986102	2	Screw insulation M8x5	
24	919845	1	Set screw	
25	929085	3	Brass washer	
26	929088	3	Nut	
27	980106	1	Cable eye	
28	982025	2	Switch	
29	982037	2	Cable lead-in	
30	140398	1	Set of Main Current Cables	
31	985200	1	Horn 24V	
32	916510	4	Screw	
33	982129	2	Maxi Fuse 100A	
34	982126	1	Fuse 20A	

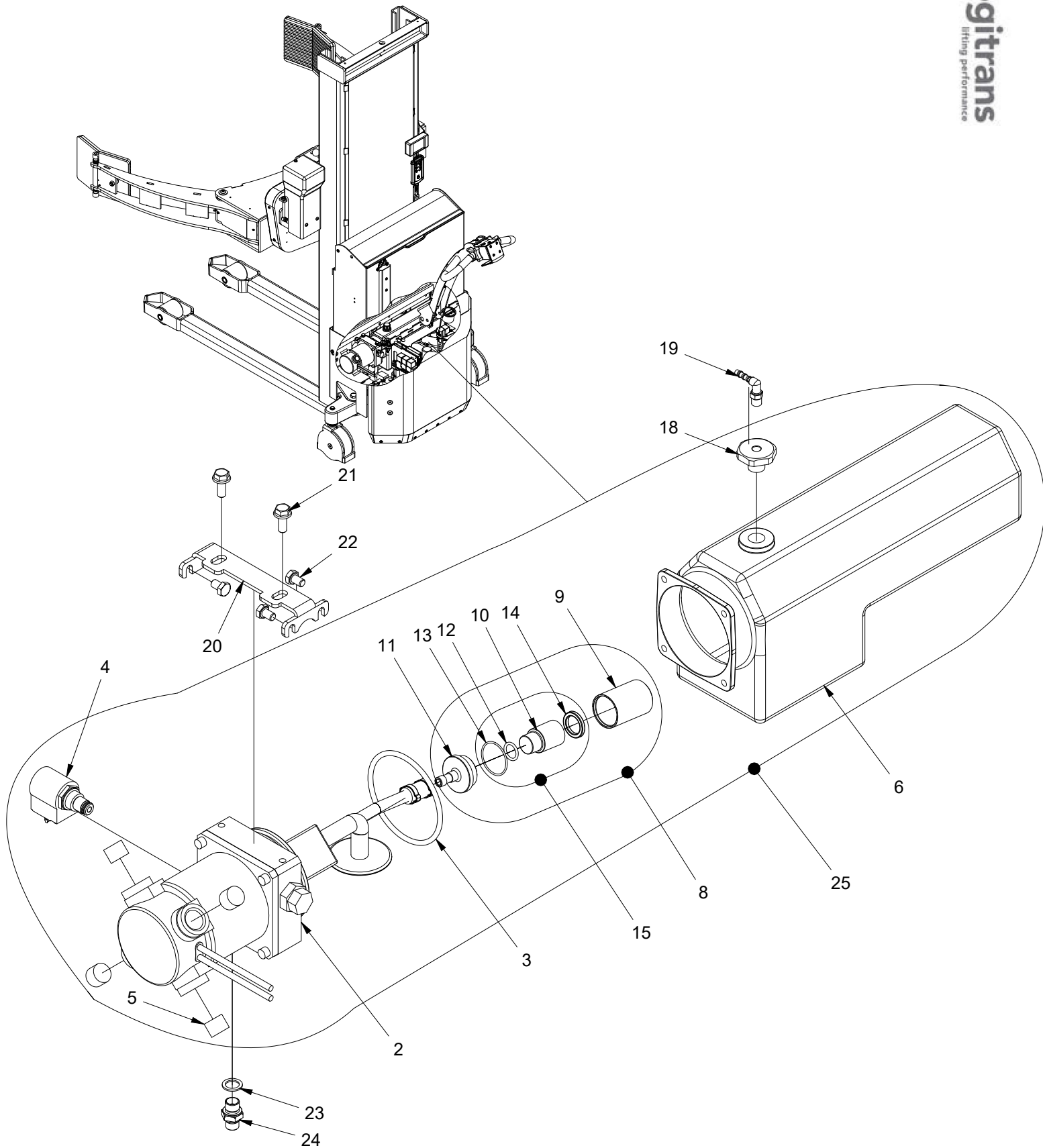
# Parts on truck

## Propulsion chassis - el

Item	Part no.	Qty	Description	Note
35	160181-3-1	1	Hydraulic controller cpl.	
36	982058	1	Relay socket	
37	982059	1	Relay	
38	168800	1	LMC-1 module 24V	
42	140405	1	Set of cables	
43	912412	2	Screw	
44	912406	2	Screw	
45	982059	2	Relay	
46	982154	1	Relay 24V/40 Amp	
47	985800-2	1	Digit.control. LMC-1 Reel Rot.	
48	405952-1	1	Relay fitting	
49	986090	1	Hour meter/Battery indicator	
52	986164	1	Diode with wire 24V	
53	982255	1	LED holder f/built-in charger	
54	140397	1	Set of cables	
55	140396	2	Encoder/brake cable	
56	905147	1	Sealing washer 14,7x22x1,5	
57	530020	2	Cable lead-in	
58	530024	1	Cable lead-in Ø7	
59	912410	4	Screw	
271	530026	2	Rubber plug	
272	530022	2	Cable lead-in	
273	405239	1	Spacer block for charging plug	
274	140373	1	Charging cable with plug	
275	921040	2	Lock nut	

# Parts on truck

## Hydraulic pump



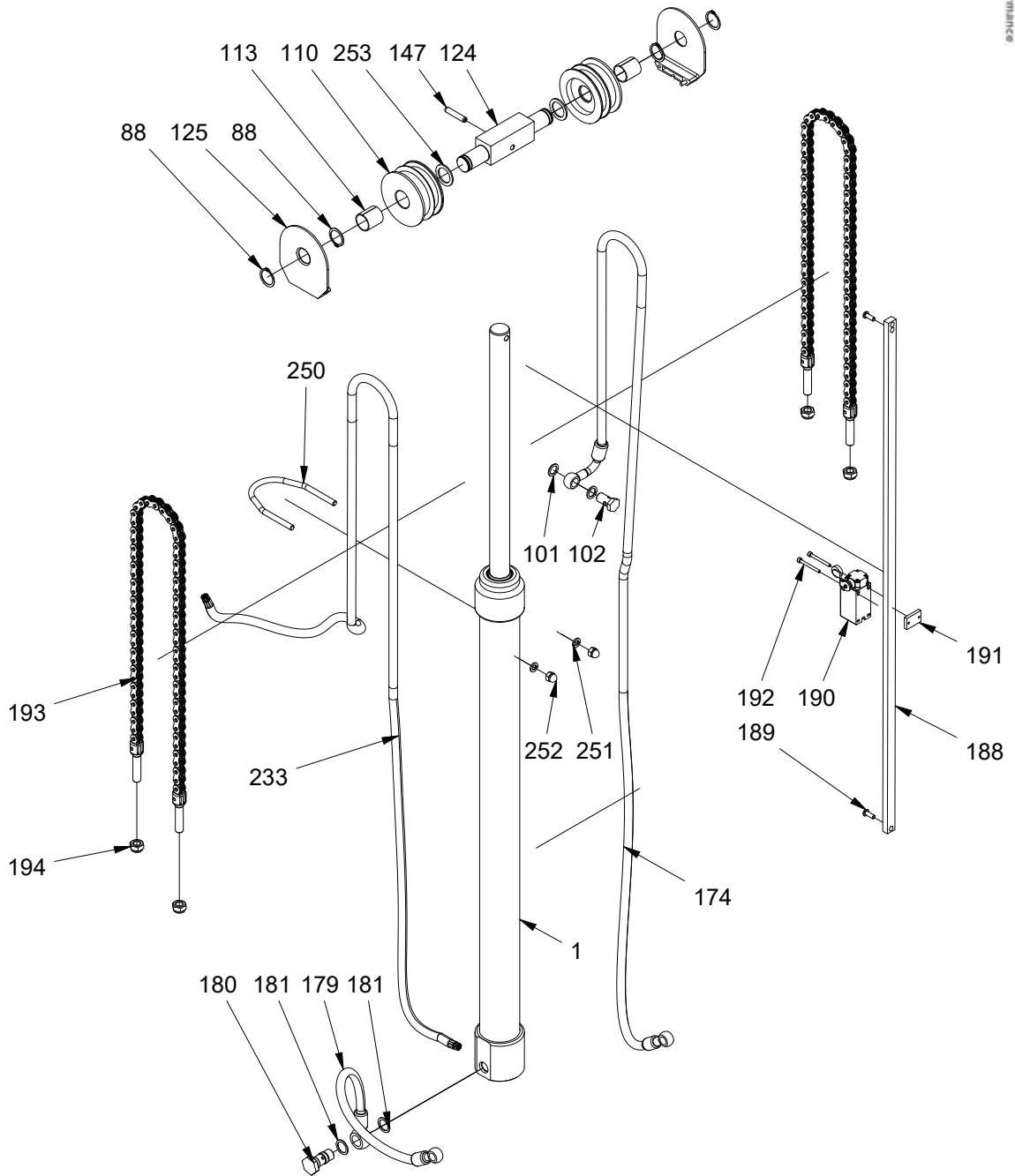
# Parts on truck

## Hydraulic pump

Item	Part no.	Qty	Description	Note
2	984987	1	Motor cpl.f/hydr.pump SELF	
3	984768	1	O ring KS pump	
4	984835	1	Solenoid valve 24V	
6	984981	1	Tank f/Hy.pump	
5	984763	1	Set of brushes f/hydr. pump	
8	445090	1	Filter	
9	445091	1	Filter housing	
10		1	Filter insert	
11	445092	1	Filter end cover	
12		1	O-ring	
13		1	O-ring	
14		1	Quad ring	
15	999010K	1	Filter/gaskets cpl.	
17	979917	2	Hose clip	
18	420914	1	Threaded coupling	
19	975114	1	Angular nipple	
20	405716	1	Pump bracket	
21	919820	2	RH Screw	
22	915812	3	Hex screw M8x12	
23	905145	1	Copper washer	
24	973117	1	Nipple	
25	984980RR	1	Hydraulic pump cpl SELFRR	
	890061	1	1 L Hydraulic Oil Iso Vg 15	
	890065	1	5 L Hydraulic Oil Iso Vg 15	
	890071	1	1 L Aircraft 15 Oil	



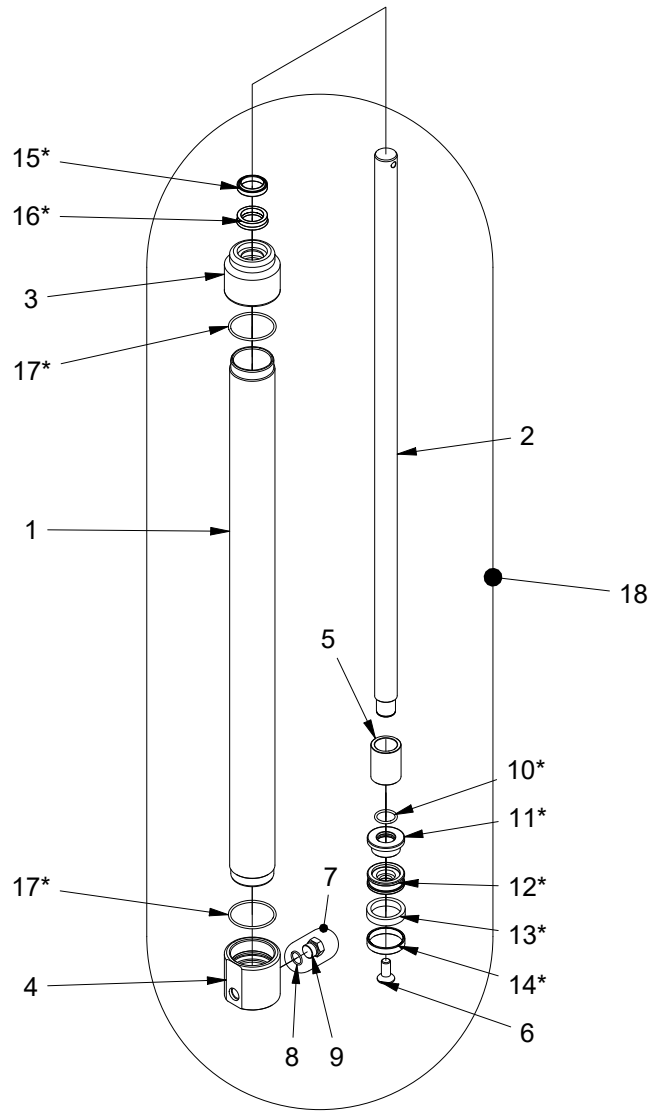
# Parts on truck



# Parts on truck

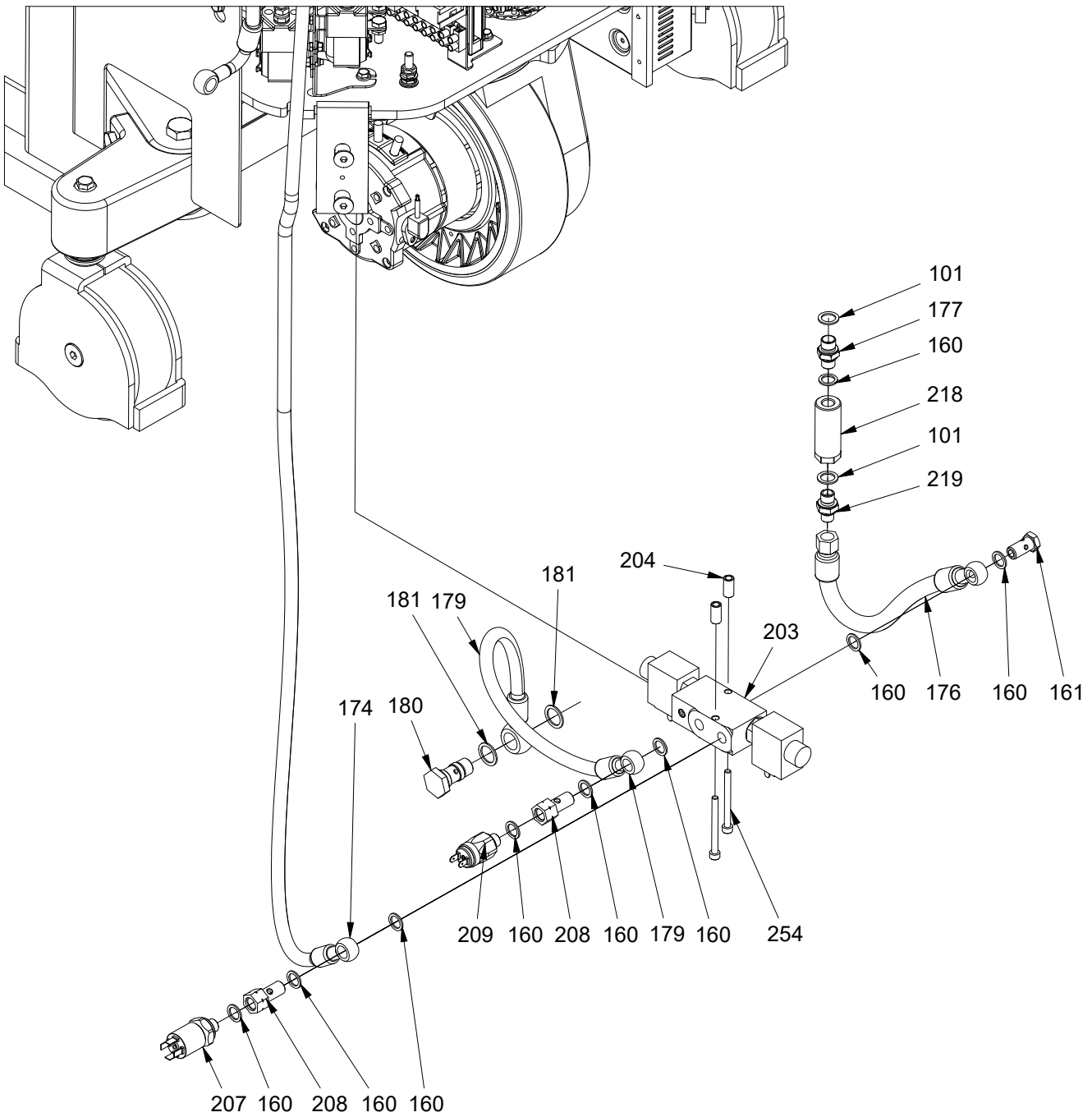
Item	Part no.	Qty	Description	Note
1	161133	1	Cylinder 1600 cpl.	
88	933250	4	Circlip	
101	905145	4	Copper washer	
102	971146	1	Banjo bolt	
110	403031	2	Cable roller	
113	404063	2	Bushing f/chain roller	
124	404146	1	Cross piece	
125	402263	2	Cover for chain roller	
147	931840	1	Straight pin	
174	445114-2	1	Hydraulic hose	
179	445111	1	Hydraulic hose	
180	984843	1	Flow valve	
181	905180	2	Copper washer	
188	420192-4	1	Fitting for stop device 1600	
189	919617	2	Screw	
190	982228	1	Switch	
191	420159	1	Switch fastening	
192	912440	2	Screw	
193	402704	2	Lifting chain	
194	921120	4	Lock nut	
233	130416	1	Cable	
250	400874	1	Clamp	
251	925080	2	Spring washer	
252	920080	2	Top nut	
253	926250	2	Washer	

# Parts on truck



Item	Part no.	Qty	Description	Note
1	404089-4	1	Cylinder pipe 1400/1600	
2	404093-4	1	Piston rod Logiflex 1400/1600	
3	404087	1	Top section LF/ELF/SELF	
4	404088	1	Bottom section LF/ELF/SELF	
5	404130	1	Stop pipe f/cylinder 1600	
6	911231	1	Screw	
7	973834	1	End stopper with packing ring	Items 8-9 incl.
8		1	O-ring	
9		1	End stopper	
10*	900240	1	O-ring	
11*	404539	1	Split piston part A	
12*	404540	1	Split piston part B	
13*	901380	1	U-sleeve	
14*	909509	1	Guide ring CN10	
15*	908300	1	Scraper ring	
16*	901301	1	Sleeve	
17*	900570	2	O-ring	
18	161133	1	Cylinder 1600 cpl.	
	161150	1	Set of gaskets	All Items marked * incl.

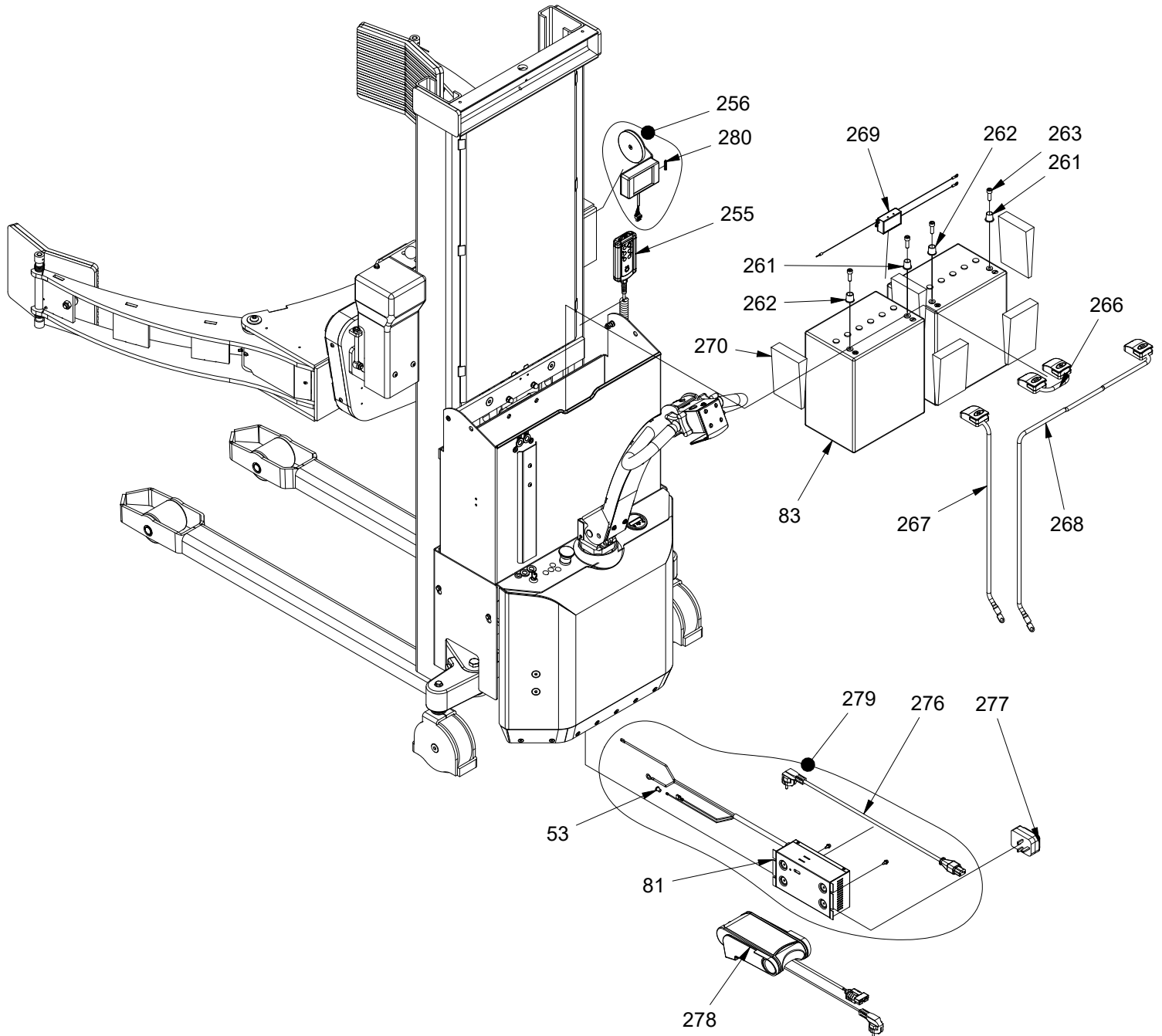
# Parts on truck



# Parts on truck

Item	Part no.	Qty	Description	Note
101	905145	4	Copper washer	
160	905143	9	Copper washer	
161	973015	1	Banjo bolt	
174	445114-2	1	Hydraulic hose	
176	445117	1	Hydraulic connector	
177	973117	1	Nipple	
179	445111	1	Hydraulic hose	
180	984843	1	Flow valve	
181	905180	2	Copper washer	
203	445135	1	Directional control valve	
204	445246	2	Spacer	
207	988014R	1	Pressure switch	Serial no. <4164309 use 988012
208	445059	2	Banjo bolt	
209	988013R	1	Pressure switch	
218	984846	1	Flow valve	
219	973116	1	Nipple	
254	912665	2	Screw	

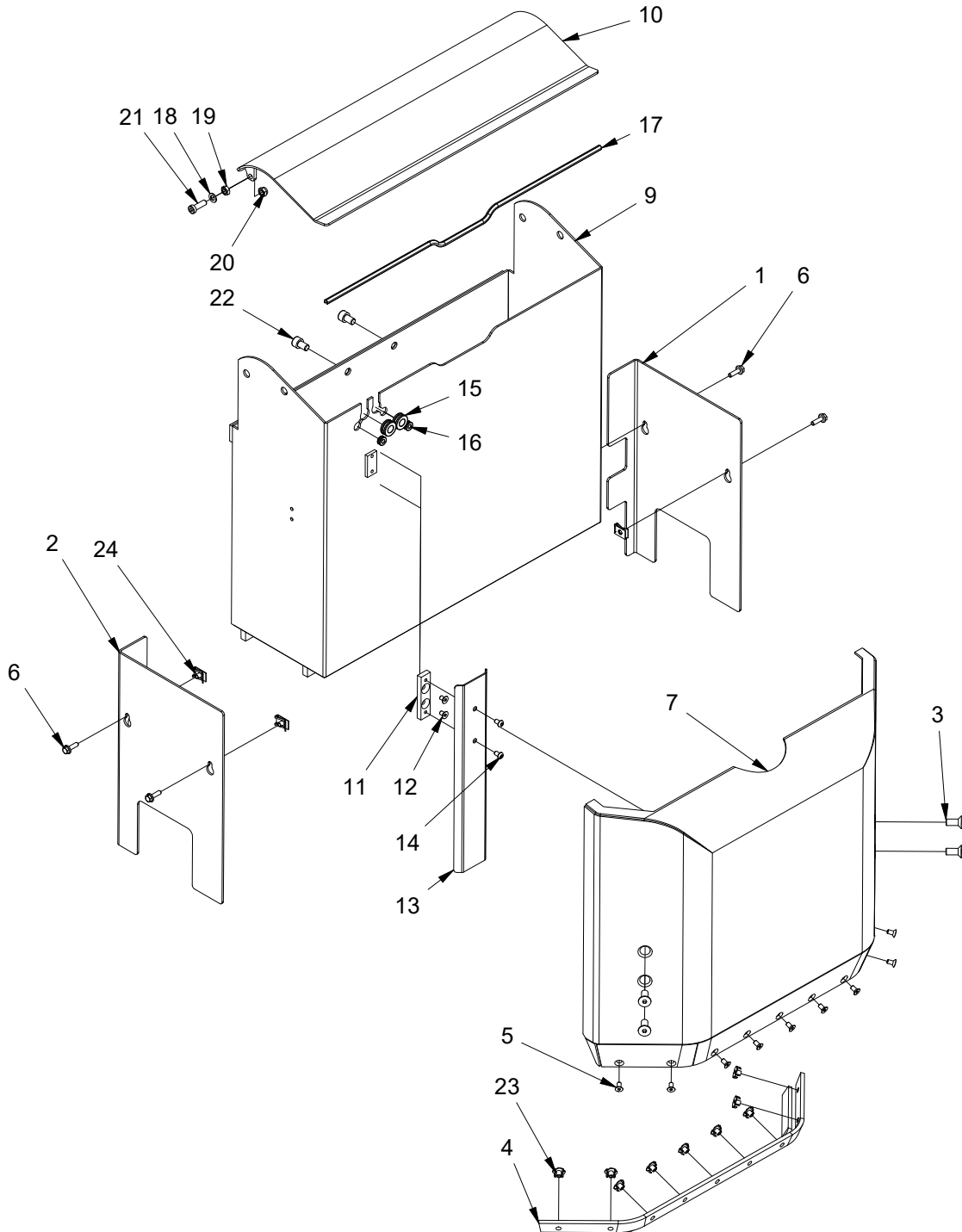
# Parts on truck



# Parts on truck

Item	Part no.	Qty	Description	Note
53	982255	1	LED holder f/built-in charger	
81	986156 986158	1	Charger intern 24V15A 230V Charger intern 24V15A 110V	
83	986520R	2	Battery 12V	
255	160936	1	Remote Lift/Rotate/Clamp	
256	985750C	1	User interface LUI-1 cpl	Item 280 incl.
261	986505-	2	Minus pole M8 Vision battery	
262	986505+	2	Plus pole M8 Vision battery	
263	912825	4	Screw	
266	140381-3	1	Battery Cable plus/Minus	
267	140381-1	1	Battery Cable Plus	
268	140381-2	1	Battery Cable Minus	
269	986460	1	Battery Optimizer	
270	405918	5	Plastic wedge	
276	986125 986126 986135 986136	1	Charger cable Charger cable with US plug Charger cable Charger cable with US plug	
277	982240	1	Adaptor for ground on plug UK	
278	986155 986157	1	Charger extern 24V 15A 230V Battery charger ext24V15A 110V	
279	986156K 986158K	1	Battery charger int24V15A 230V Battery charger int24V15A 110V	
280	985756	1	Enclosure plug	

# Parts on truck

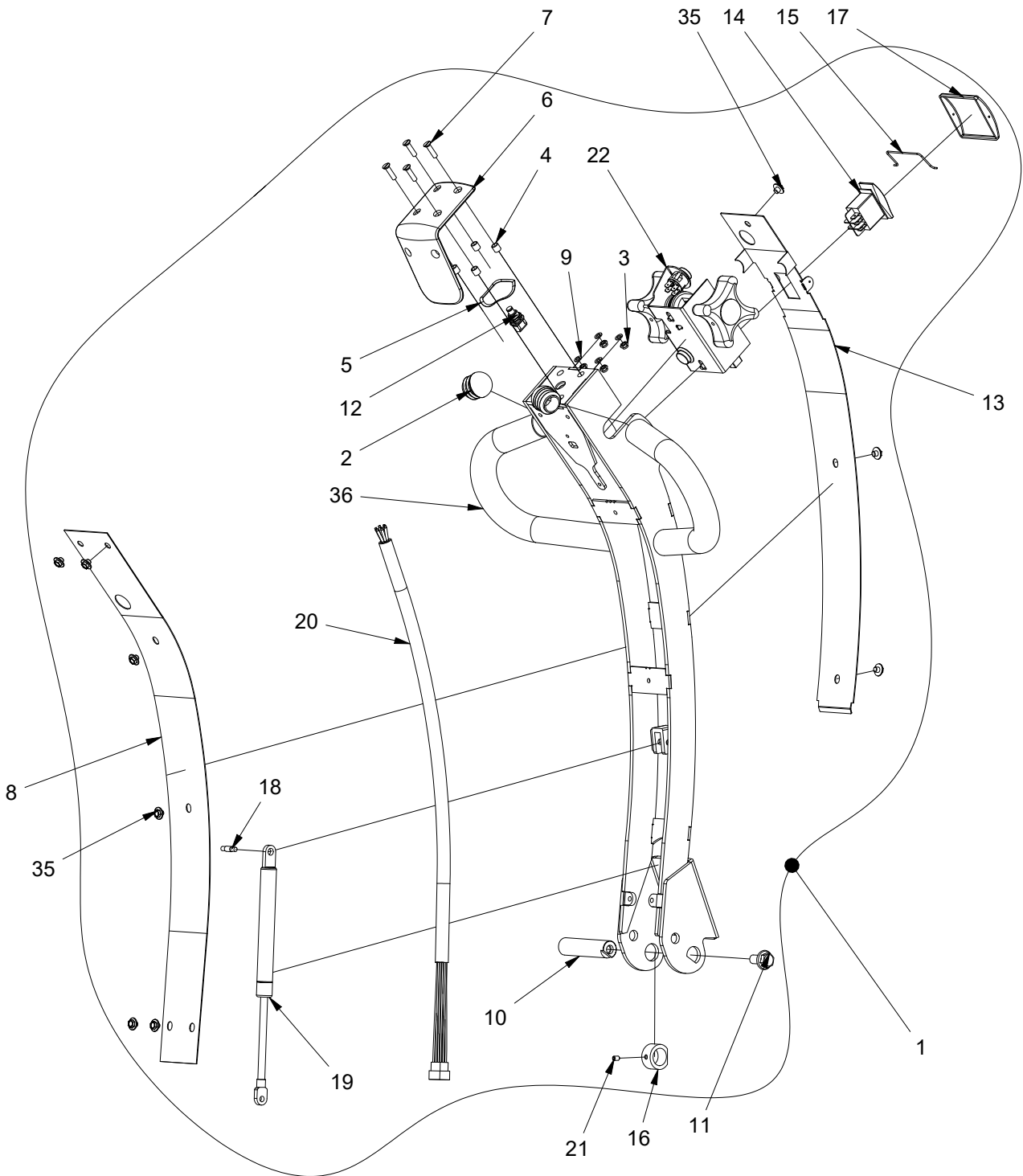




# Parts on truck

Item	Part no.	Qty	Description	Note
1	405719H	1	Side plate right	Multiple colours
2	405719V	1	Side plate left	Multiple colours
3	911125	4	Screw	
4	405708M	1	Rubber edge	
5	911612	9	Screw	
6	916620	4	Screw	
7	405691	1	Rear cover	
9	405616	1	Battery box SELF	Multiple colours
10	405611	1	Cover	Multiple colours
11	405272	1	Fittings for cable bearer	
12	911610	2	Screw	
13	405278	1	Cable bearer	
14	919610	2	Screw	
15	530020	2	Cable lead-in	
16	530022	2	Cable lead-in	
17	889115	1	Edge trim	
18	924080	2	Washer	
19	922080	2	Nut	
20	921080	2	Lock nut	
21	912824	2	Screw	
22	912116	2	Screw	
23	920060	9	Punch Nut M6 BN 226	
24	920062	4	Plate nut	

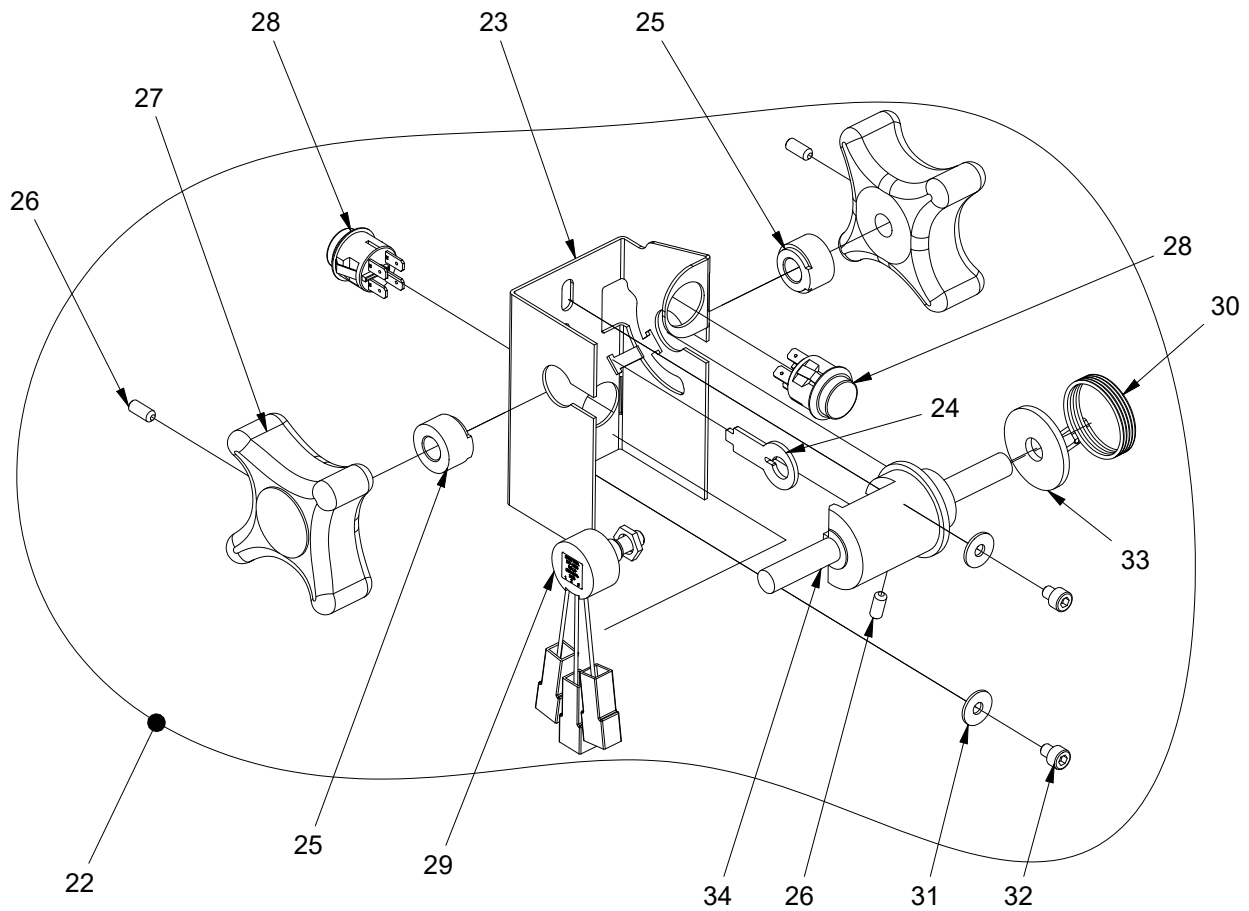
# Parts on truck



# Parts on truck

Item	Part no.	Qty	Description	Note
1	140325	1	Handle cpl.	
2	993031	2	Plastic cover	
3	921050	4	Lock nut	
4	405094	4	Pipe f/emergency switch	
5	925400	1	Washer	
6	405533	1	Safety switch	
7	914520	4	Screw	
8	405628	1	Rear plate f/handle	
9	924050	4	Washer	
10	420149	1	Handle axle	
11	916120	1	Screw	
12	982056	1	Push button switch w/quick con	
13	405627	1	Front plate f/handle	
14	982075	1	Tilting switch	
15	405669	1	Switch catch f/cover	
16	405685	1	Ring f/middle piece	
17	405649	1	Cover for switch	
18	405790	1	Axle for gas absorber	
19	995115R	1	Gas absorber	
20	140394	1	Cable f/handle	
21	910508	1	Pointed screw	
22	465104R	1	Steering module f/handle	
35	917606	9	Screw	
36	405630	1	Handle	

# Parts on truck



Item	Part no.	Qty	Description	Note
22	465104R	1	Steering module f/handle	
23	405919	1	Bracket f/handle steering	
24	405923	1	Fittings f/potentiometer	
25	405671	2	Bushing	
26	910512	3	Pointed screw	
27	405682	2	Drive knob Alu.	
28	982202	2	Pushbutton R13-527A-02	
29	982211R	1	Potentiometer	
30	405153	1	Torsion spring f/handle PM	
31	924055	2	Washer	
32	912506	2	Screw	
33	405997	1	Washer	
34	405993	1	Handle axle	