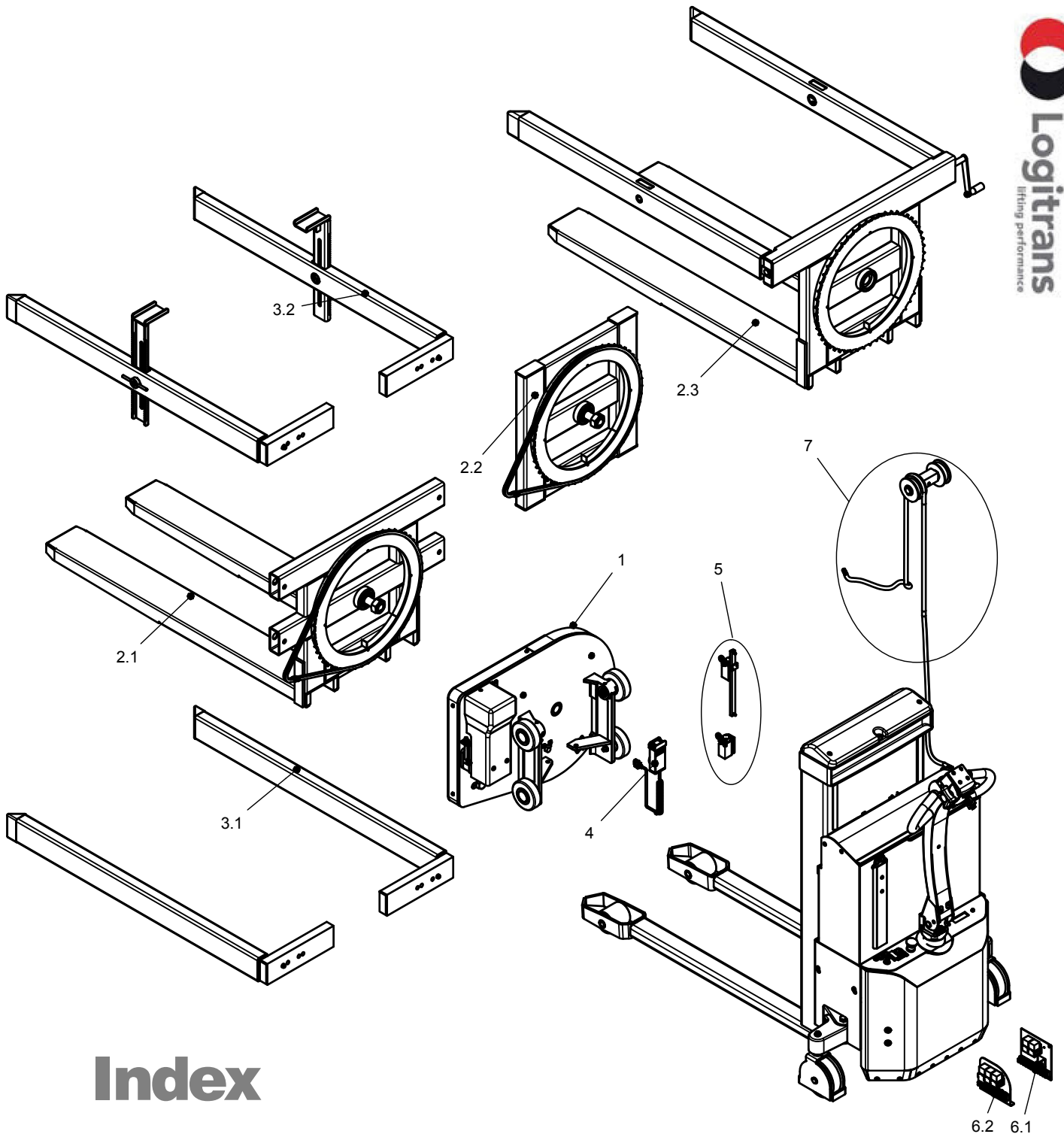


ELFR/ELFSR, ELFRA/ELFSRA SELFR/SELFSR, SELFRA/SELFSRA

Spare Parts List

-Addition to ELF/ELFS, SELF/SELFS spare parts list





Index

1. Rotator carriage	3
2. Rotator forks	5
2.1 Rotator forks.....	5
2.2 Multi-purpose carriage.....	6
2.3 Rotator forks w.adjust. box holders.....	7
3. Box holder	8
3.1 Box holder	8
3.2 Box holder with clamps.....	9
4. Remote control	10
5. Stop device	11
6. Relay plate	12
6.1 Relay plate 12 V.....	12
6.2 Relay plate 24 V.....	13
7. Parts on truck	14

The correct spare parts are obtainable from your dealer.
When ordering, please state:

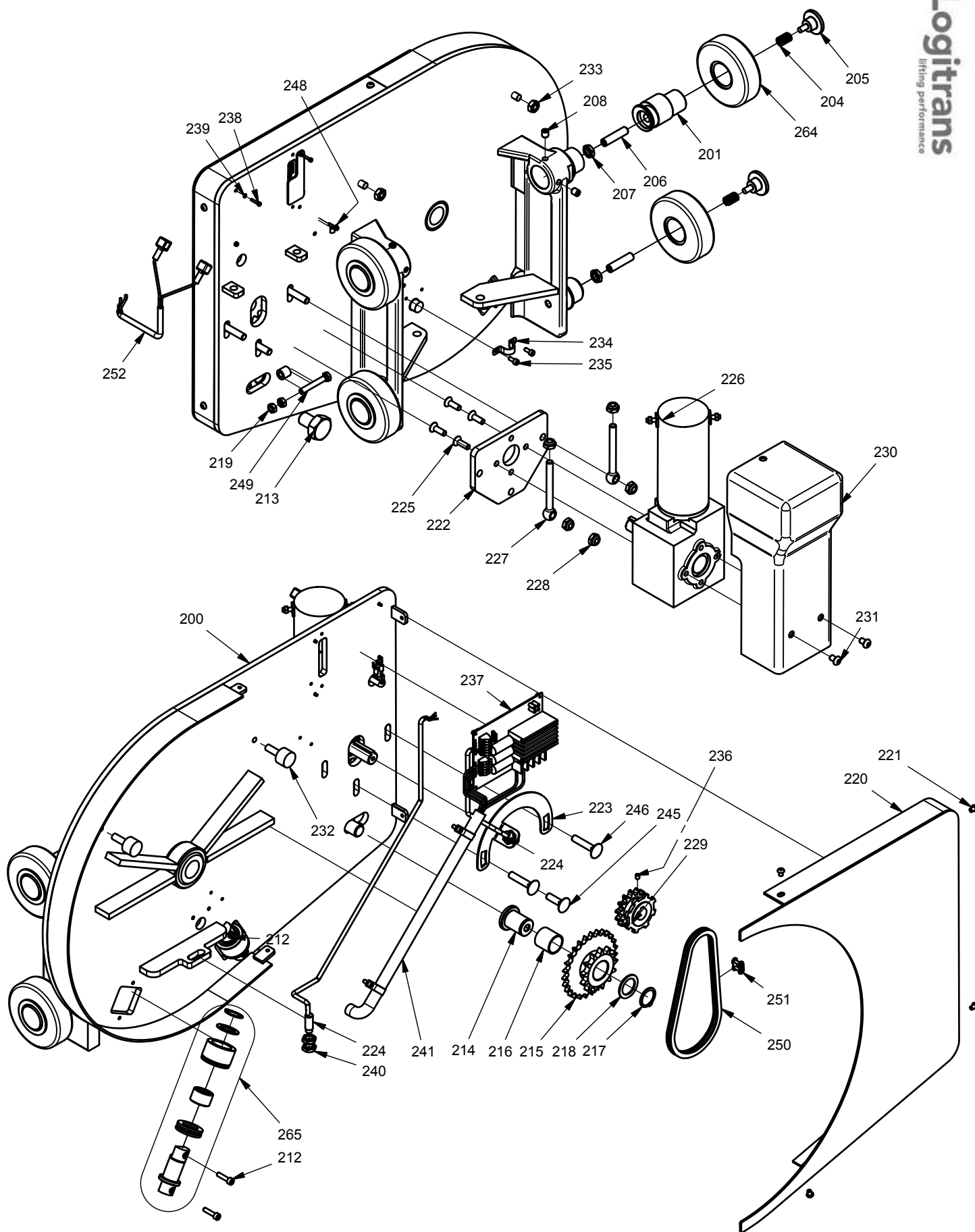
- Serial number of the product
- Type and width/length of the product
- Spare part no.

By ordering spare parts with „Part no.“ being grey, please state one of the following colour codes:

- 1: RAL 2002 (Logitrans red)
- 2: RAL 1028 (yellow)
- 3: An other RAL colour
- 6: black

Ex. 425050-1 => 425050-1-1

Rotator carriage

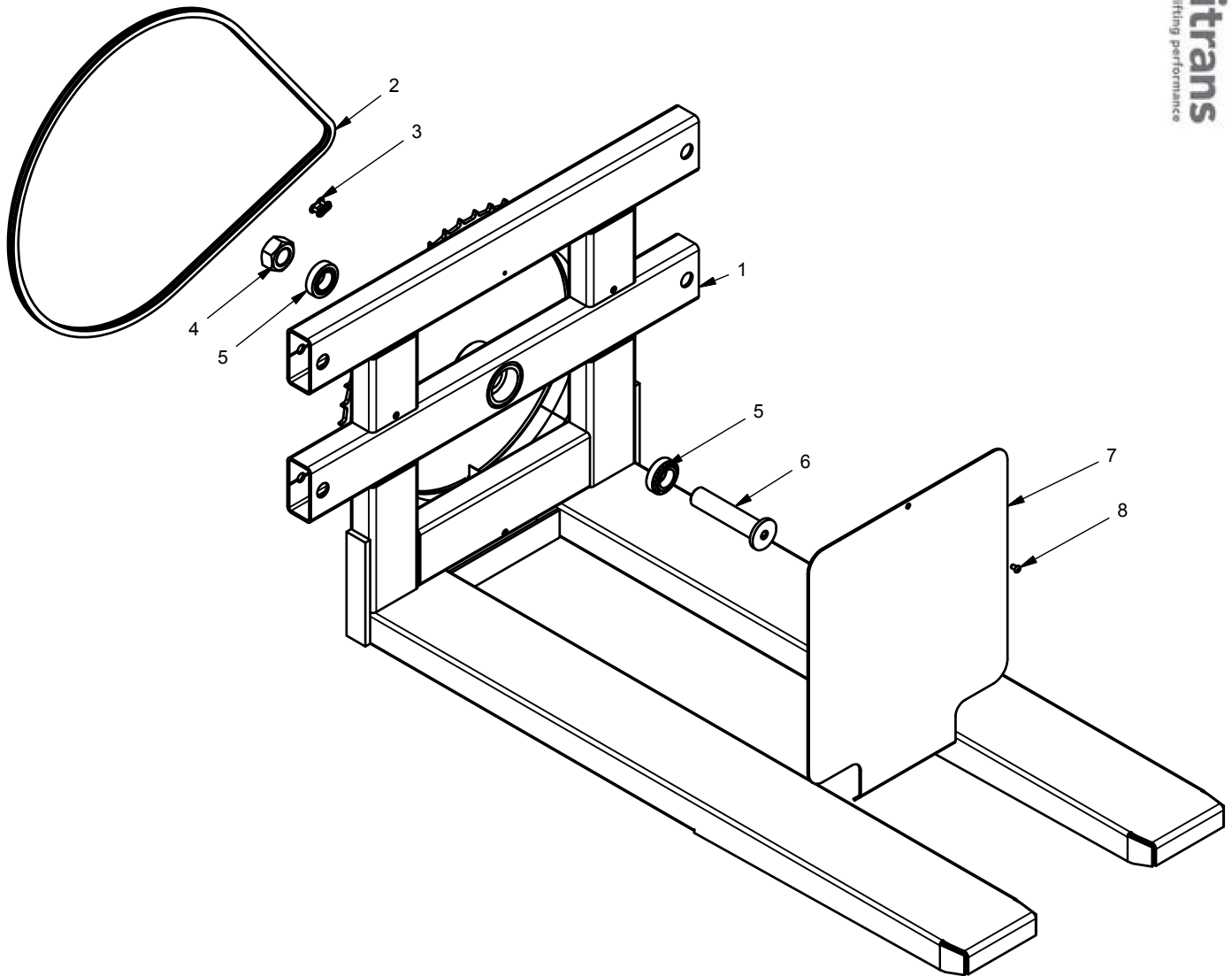


Rotator carriage

Item	Part no.	Qty	Description	Note
	985250	1	Gear motor 12 Volt	
200	404268	1	Bracket plate cpl.	
201	404076	2	Eccentric axle	
204	958144	4	Spring	
205	420153	4	Tap for fork bracket	
206	910250	3	Pointed screw	
207	920122	3	Counter nut	
208	910012	4	Pointed screw	
212	912625	4	Screw	
213	404257	1	Chain wheel bolt	
214	404258	1	Chain wheel pin	
215	403040	1	Chain wheel	
216	948313	1	Bushing	
217	933280	1	Circlip	
218	924280	1	Washer	
219	922080	2	Nut	
220	404267	1	Cover f/bracket plate	
221	919608	4	Screw	
222	403691	1	Flange	
223	404277	1	Holder for sensor	
224	985407	2	Inductive sensor f/motor contr	
225	911825	4	Screw	
226	985260	1	Gear motor 24 Volt	
227	919110	2	Eye bolt	
228	921100	5	Lock nut	
229	404279	1	Chain wheel with washer	
230	404225	1	Motor cover	
231	919812	2	Screw	
232	401097	2	Brake pad M10x30	
233	922101	2	Screw	
234	989058	3	Holder f/cable	
235	912512	6	Screw	
236	910608	1	Pointed screw	
237	985405	1	Motor control unit	
238	912316	4	Screw	
239	924030	4	Washer	
240	920120	4	Counter nut	
241	981211	1	Cable	
245	919136	1	Bolt	
246	919151	2	Bolt	
247	404342	1	Cover f/plug	
248	980206	1	Cable holder	
249	919855	1	Screw	
250	403059	1	Chain	
251	951021	1	Chain connector	
252	150021	1	Cable f/gear motor	
264	404073K	4	Mast roll Ø112 w/slide bushing	
265	404255R	2	Support roller Ø45 cpl.	

Rotator forks

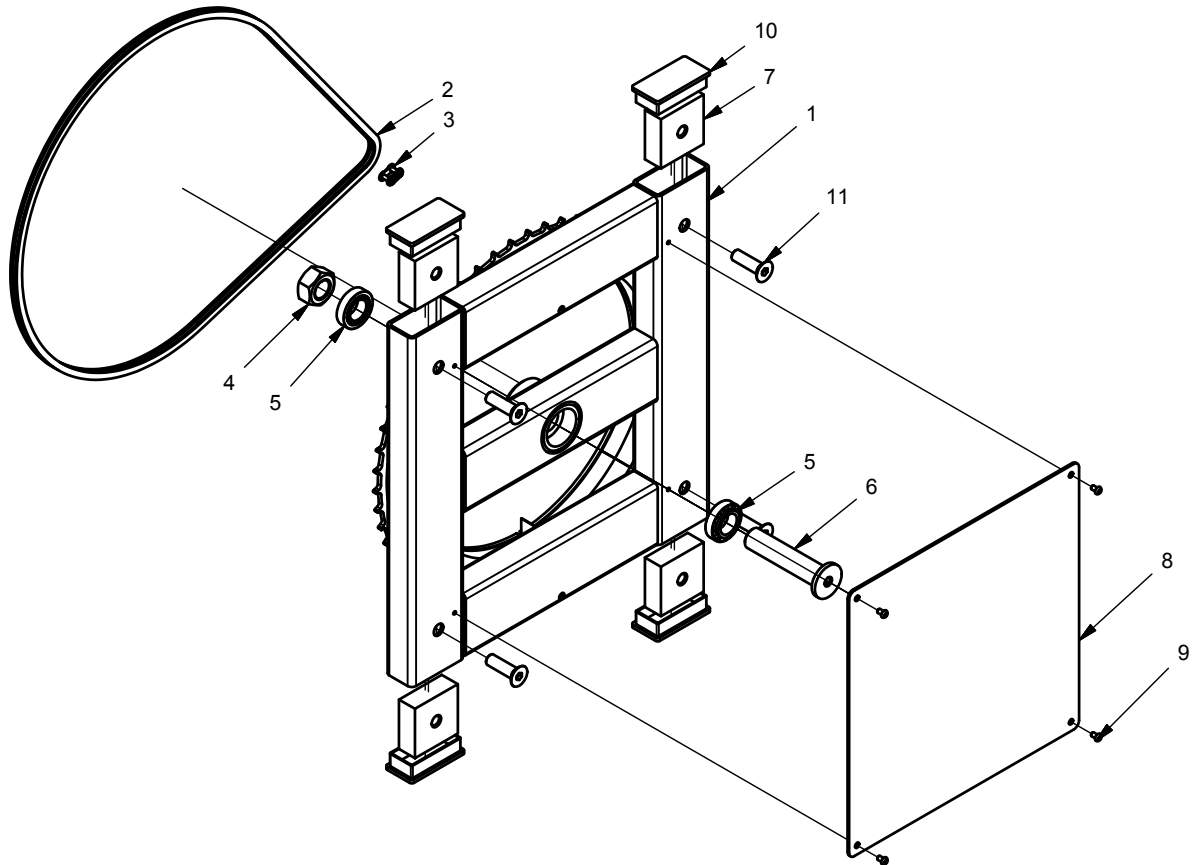
2.1 Rotator forks



Item	Part no.	Qty	Description	Note
1	404230-3	1	Rotator forks cpl. 560x1250	
	404231-3	1	Rotator forks cpl. 680x1250	
2	403758	1	Chain	
3	951042	1	Chain connector	
4	922300	1	Nut	
5	945355	2	Roller bearing	
6	404260	1	Main axle	
7	404274	1	Cover plate	
	404341	1	Cover plate 680 Rotator	
8	919610	1	Screw	

Rotator forks

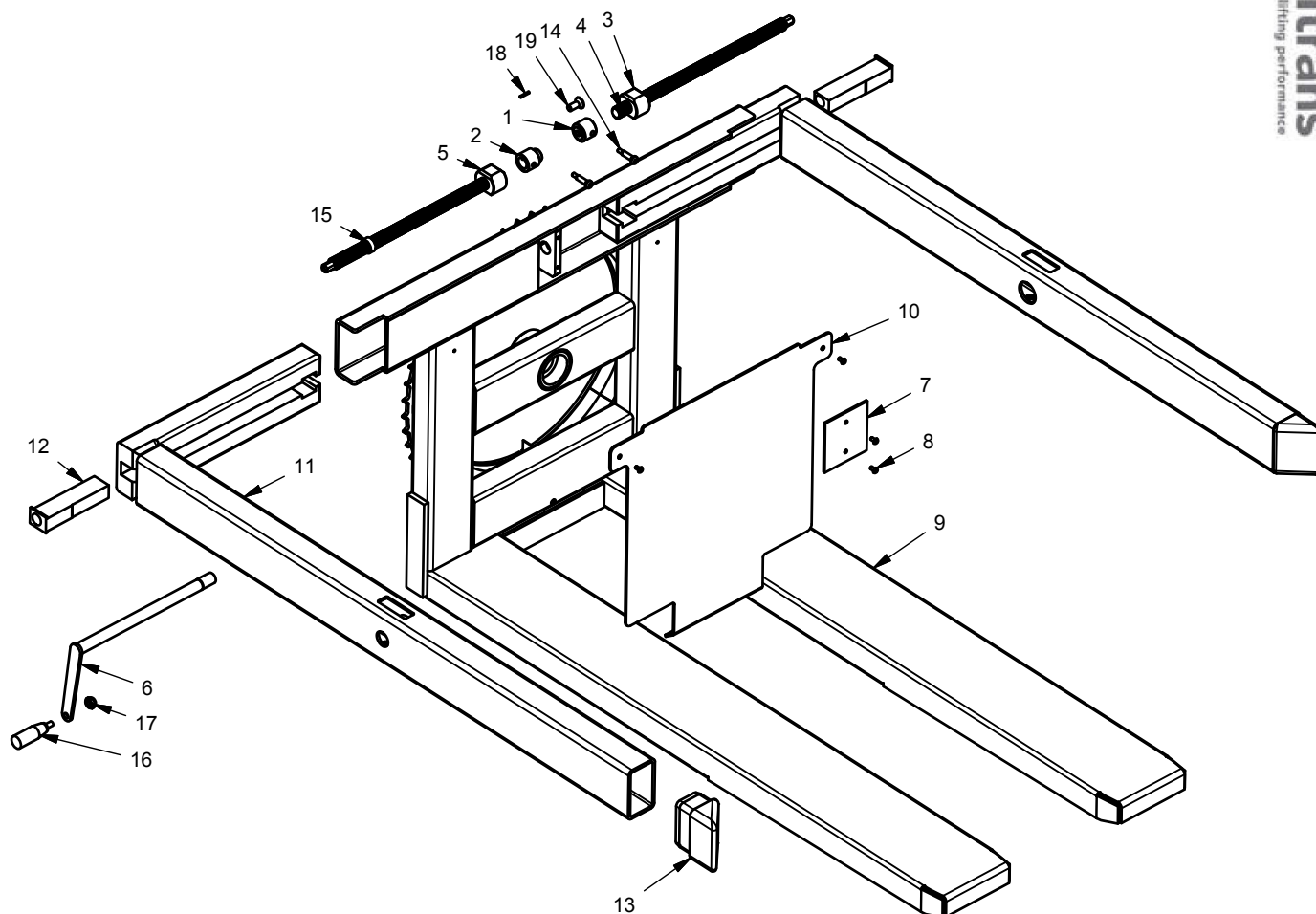
2.2 Multi-purpose carriage



Item	Part no.	Qty	Description	Note
1	404285	1	Multi-purpose carriage 560	
	404381	1	Multi-purpose carriage 680	
2	403758	1	Chain	
3	951042	1	Chain connector	
4	922300	1	Nut	
5	945355	2	Roller bearing	
6	404260	1	Main axle	
7	404351	4	Block	
8	403574	1	Cover plate 560	
	403575	1	Cover plate 680	
9	919610	4	Screw	
10	993150	4	Cover	
11	919650	4	Screw	

Rotator forks

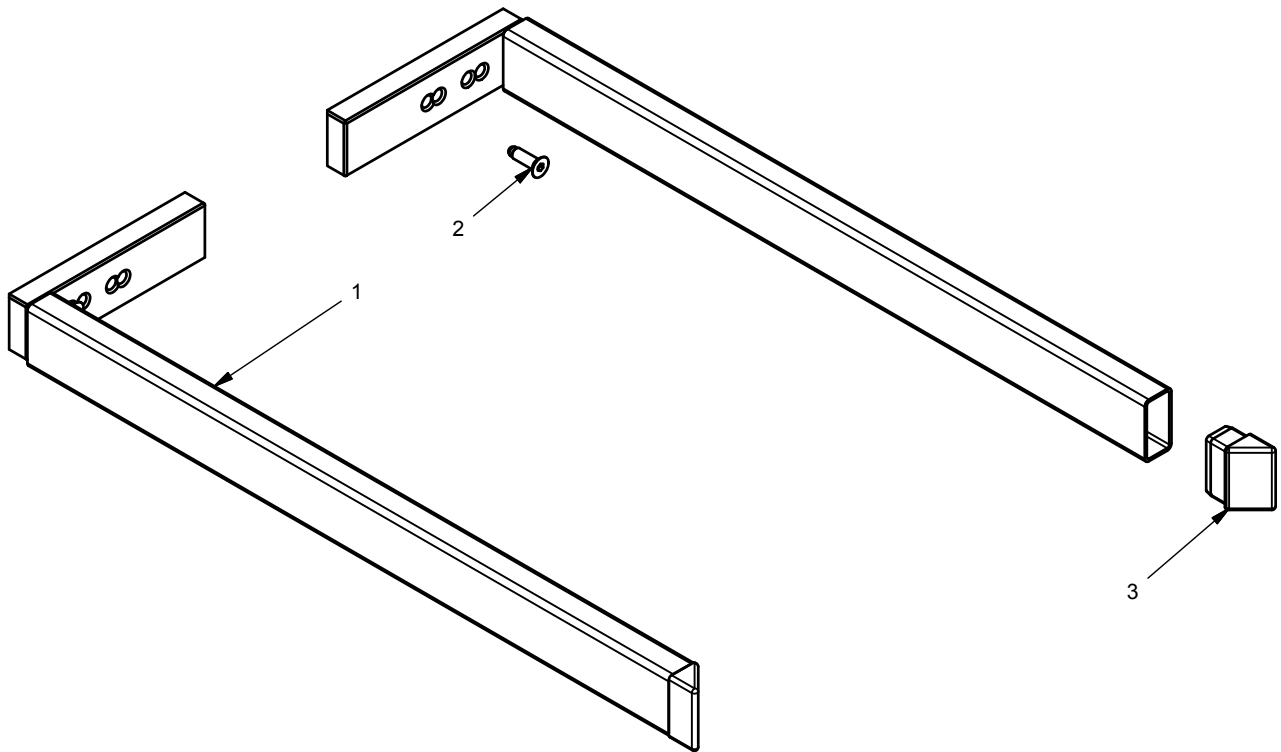
2.3 Rotator forks with adjustable box holders



Item	Part no.	Qty	Description	Note
1	404511	1	Spindle connector A	
2	404512	1	Spindle connector B	
3	404509	1	Trapezoidal nut L	
4	404507	1	Trapez spindle L	
5	404510	1	Trapezoidal nut R	
6	404524	1	Crank	
7	404528	1	Cover	
8	919510	4	Screw	
9	404527-3	1	Rotator forks cpl.	
10	404506	1	Cover plate	
11	404503	2	Box support	
12	404529	2	Nylon insert	
13	404530	2	Plastic end for box holder	
14	919828	2	Bolt	
15	404526	1	Trapez spindle R with stop	
16	994025	1	Tilt handle	
17	921100	1	Lock nut	
18	932320	1	Pin	
19	911125	1	Screw	

Box holder

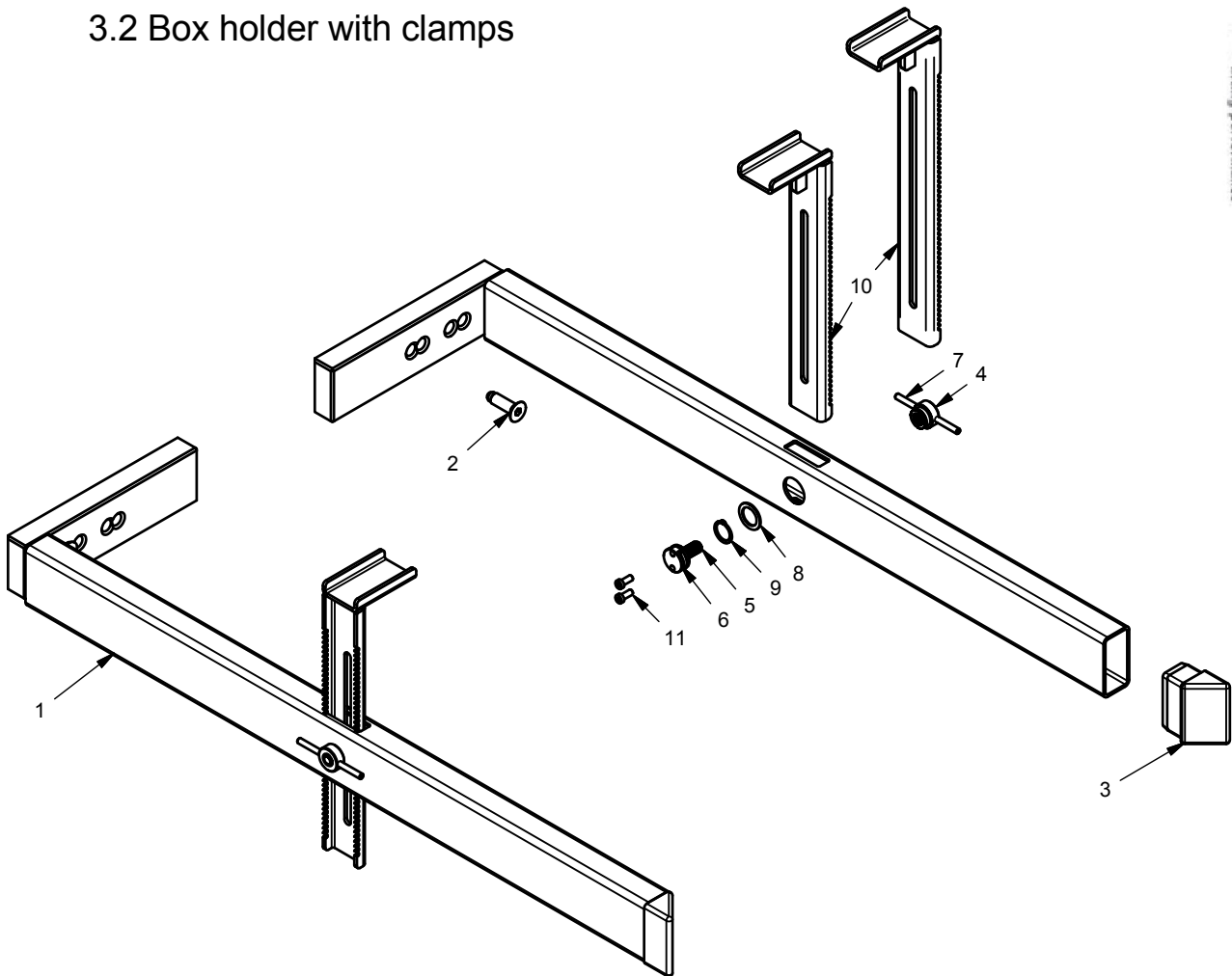
3.1 Box holder



Item	Part no.	Qty	Description	Note
1	404290	2	Box support	
2	404336	2	Bolt f/box holder	
3	404349	2	Plastic end for box holder	

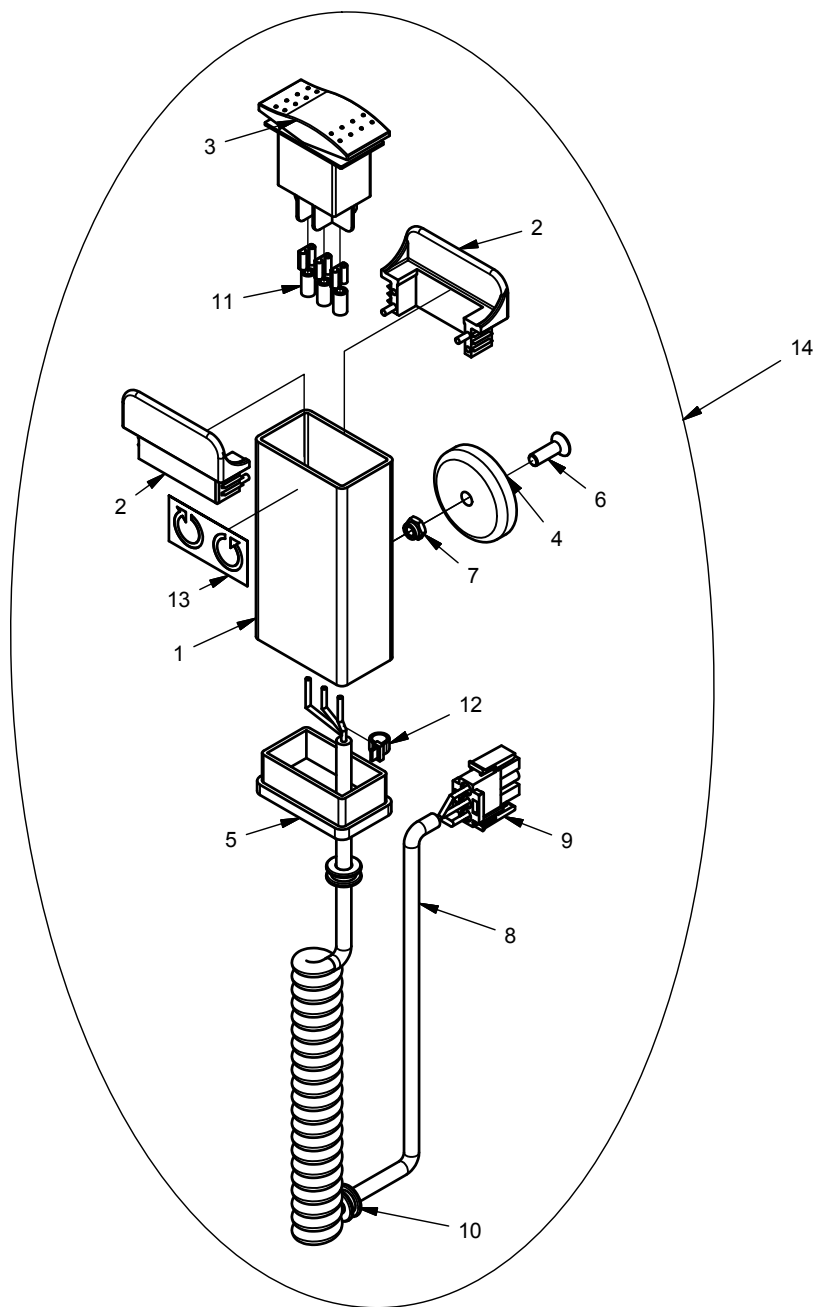
Box holder

3.2 Box holder with clamps



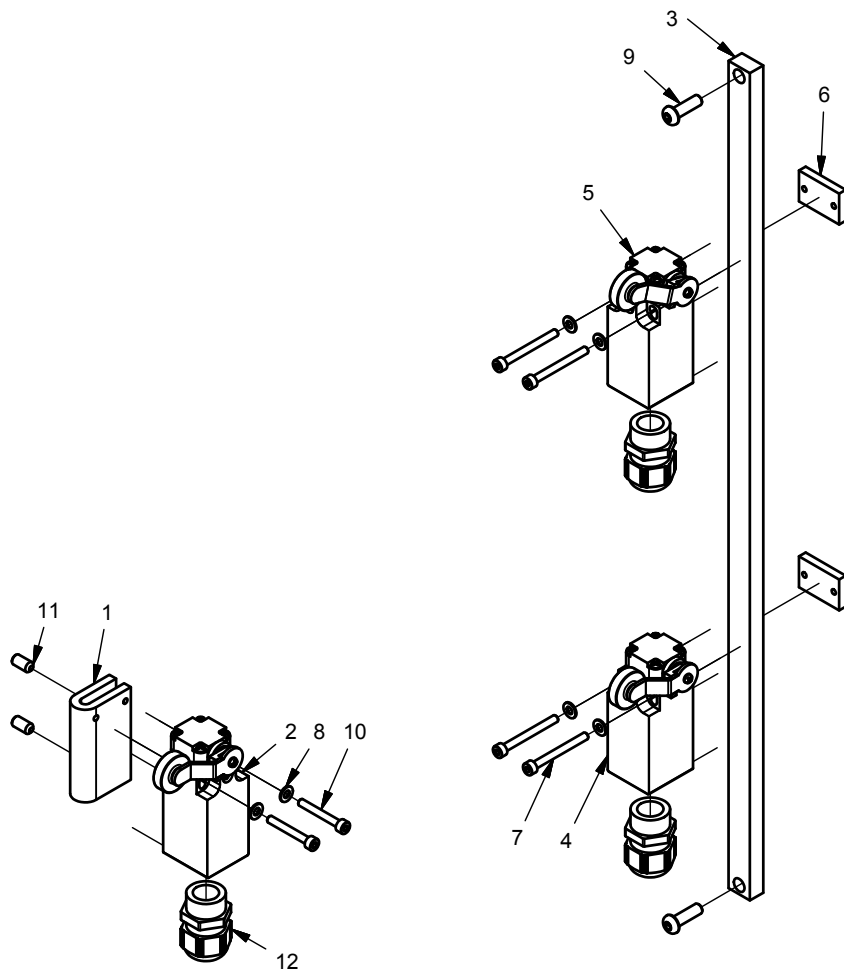
Item	Part no.	Qty	Description	Note
1	404416	2	Box support	
2	404336	2	Bolt f/box holder	
3	404349	2	Plastic end for box holder	
4	404418	2	Nut	
5	404422	2	Spindle f/ box holder	
6	404420	2	Washer	
7	404419	4	Handle f/nut	
8	924280	2	Washer	
9	933280	2	Circlip	
10	404425	2	Clamps short	
	404466	2	Clamps long	
11	912820	4	Screw	

Remote control



Item	Part no.	Qty	Description	Note
1	401243	1	Remote control casing	
2	402356	2	Contact carrier	
3	982075	1	Tilting switch	
4	990019	1	Magnet Ø40x8	
5	404206	1	Plastic cover	
6	911516	1	Screw	
7	921050	1	Lock nut M5 Din 985	
8	981321	1	Spiral wire	
9	982004	1	Male multiple plug	
10	530022	2	Cable lead-in	
11	980108	3	Cable eye	
12	986108	1	Cable strips	
13	991230	2	Label f/remote control	
14	160186	1	Remote control rotate cpl.	

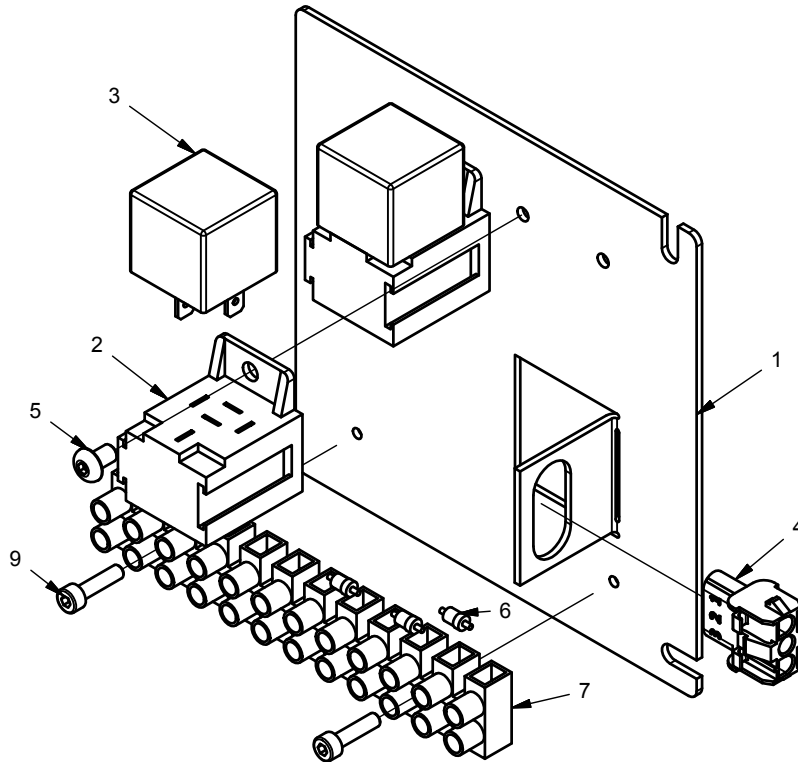
Stop device



Item	Part no.	Qty	Description	Note
1	420001	1	Clamp for switch	
2	982228	1	Switch	
3	420192-2	1	Fitting for stop device 1200	
	420192-3	1	Fitting for stop device 1400	
	420192-4	1	Fitting for stop device 1600	
4	982226	1	Switch 2NO	
5	982227	1	Rotary lever 2NC	
6	420159	2	Switch fastening	
7	912440	4	Screw	
8	924040	6	Washer	
9	919620	2	Screw	
10	912430	2	Screw	
11	910612	2	Screw	
12	982037	3	Cable lead-in	

Relay plate

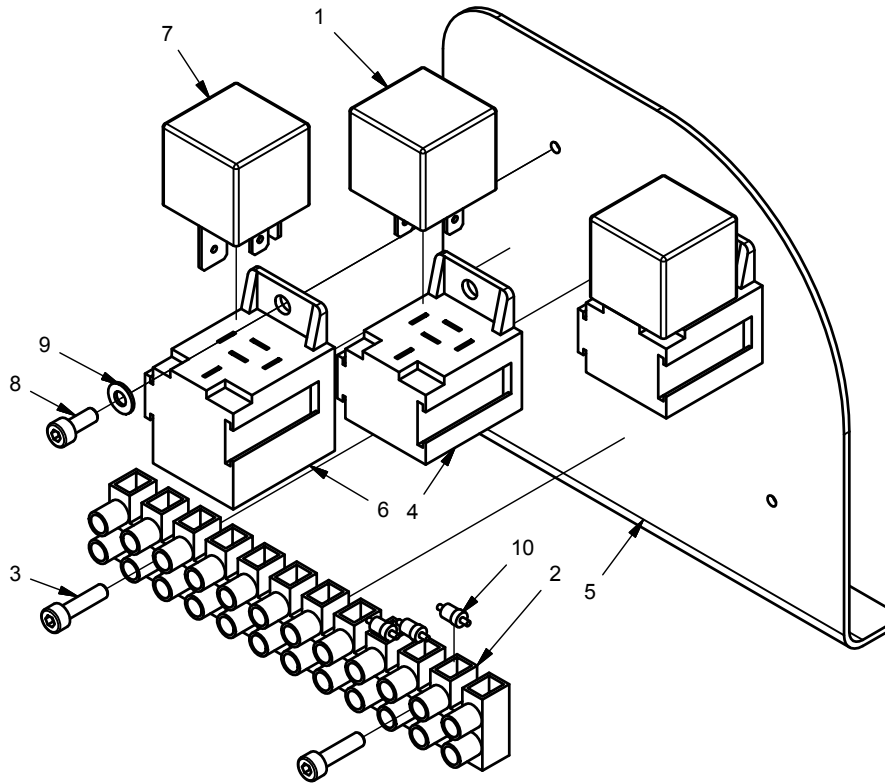
6.1 Relay plate 12 V



Item	Part no.	Qty	Description	Note
1	420158	1	Relay plate	
2	982058	2	Socket housing f/minirelay	
3	982052	2	Relay 12V/30 Amp	
4	982003	1	Female plug	
5	919508	2	Screw	
6	982021	3	Diode	
7	982138	1	Connecting block	
9	912416	2	Screw	

Relay plate

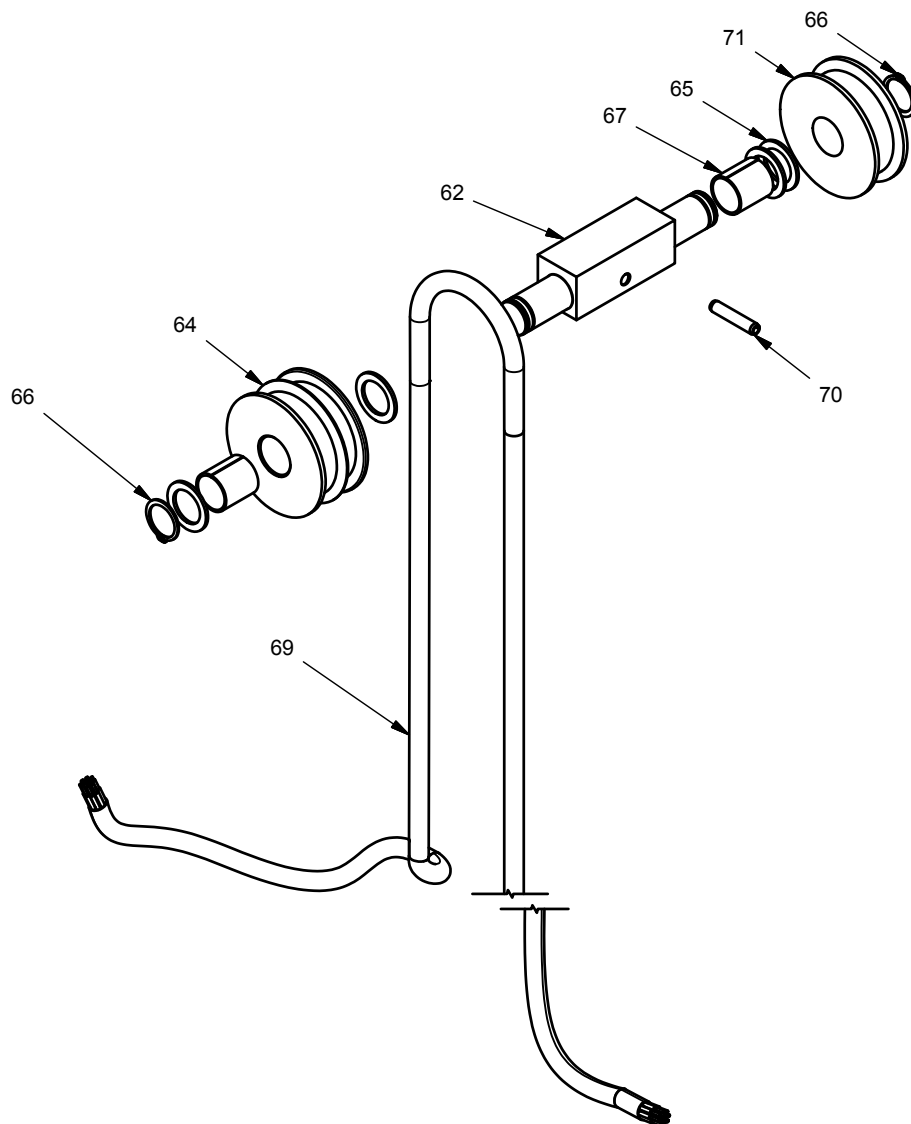
6.2 Relay plate 24 V



Item	Part no.	Qty	Description	Note
1	982059	2	Relay 24V/20 Amp	
2	982022	1	Connecting block	
3	912416	2	Screw	
4	982058	2	Socket housing f/minirelay	
5	405865	1	Relay plate 24V	
6	982155	1	Holder f/relay	
7	982154	1	Relay 24V/40 Amp	
8	912410	2	Screw	
9	924040	2	Washer	
10	982021	3	Diode	

Parts on truck

7.1 Cross piece cpl. with cable



Item	Part no.	Qty	Description	Note
62	404146	1	Cross piece	
64	403031	1	Cable roller	
65	924250	4	Washer	
66	933250	2	Circlip	
67	404063	2	Bushing f/chain roller	
69	981211	1	Cable	
70	931840	1	Straight pin	
71	404064	1	Chain roller	