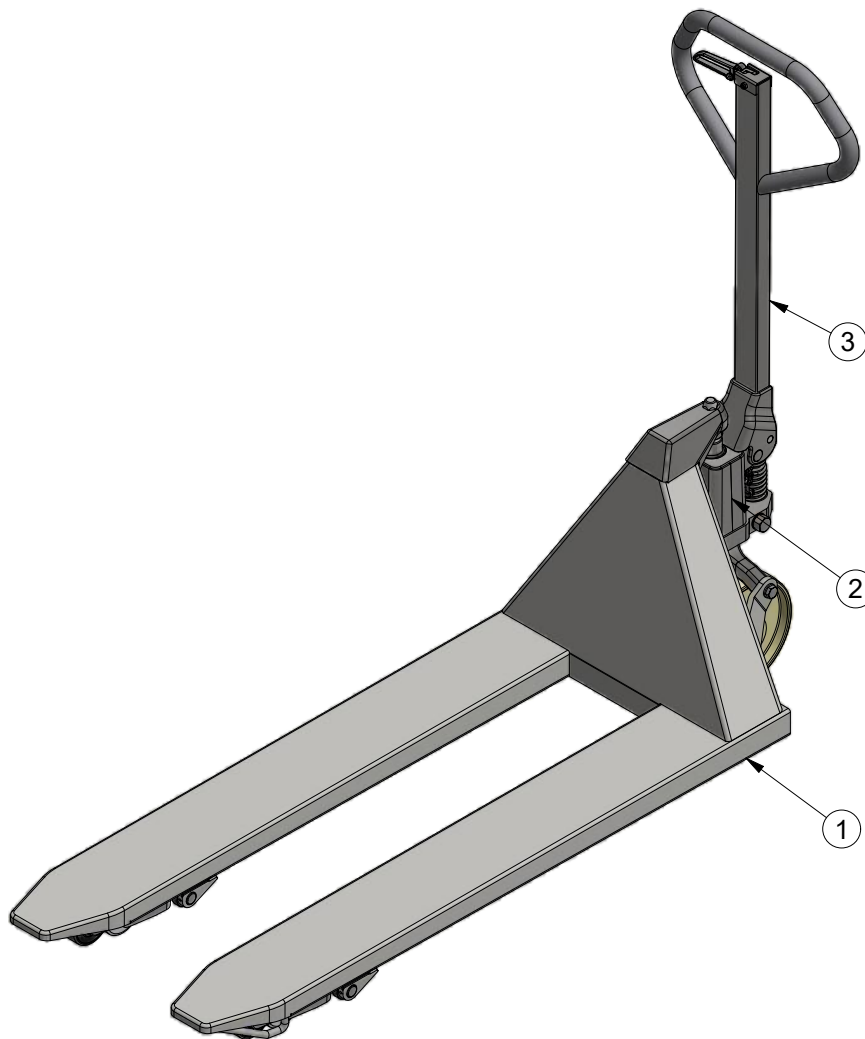


# Panther Inox Plus

## SPARE PARTS LIST





# Index

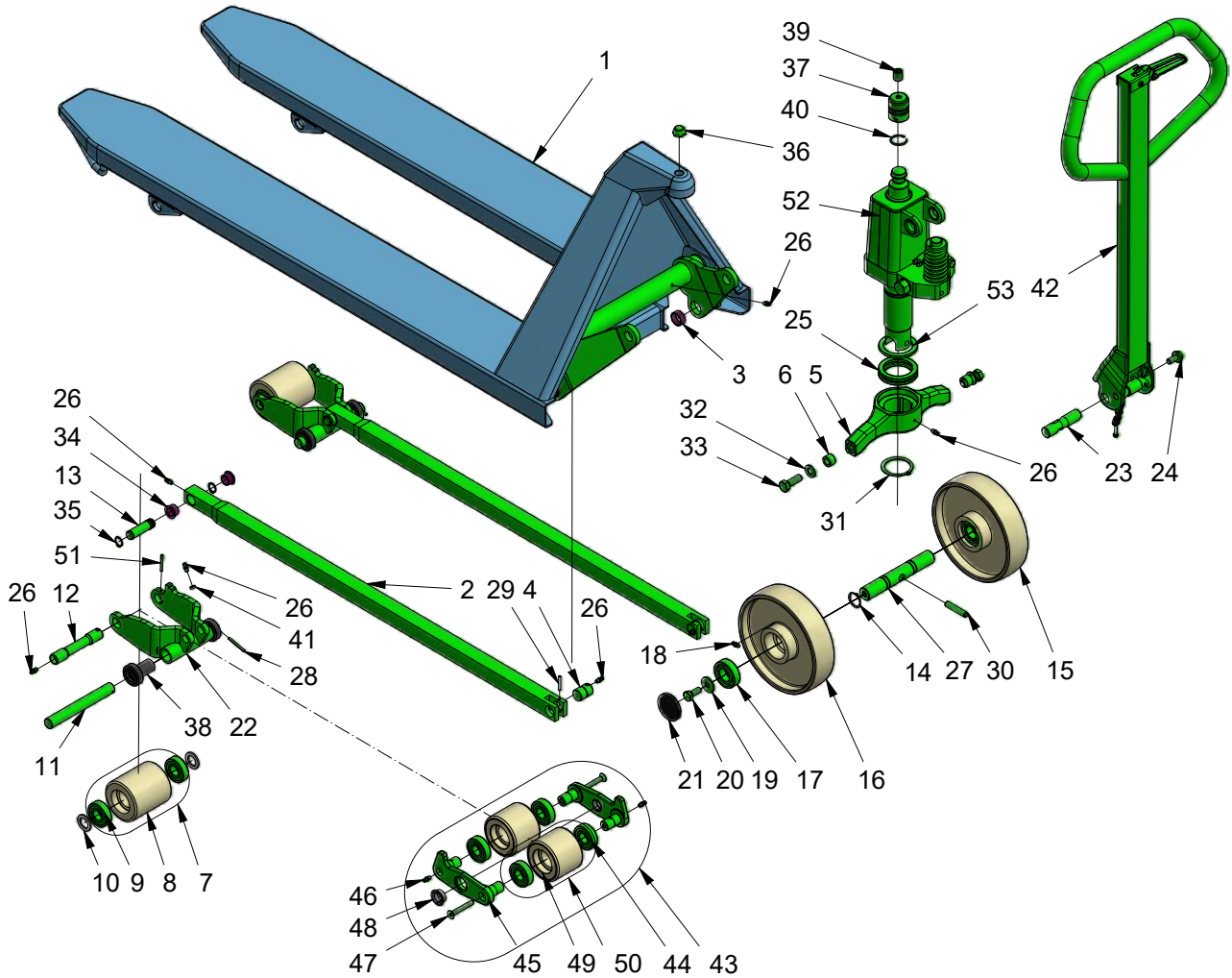
<b>1.Chassis .....</b>	<b>3</b>
<b>2.Pump.....</b>	<b>6</b>
<b>3.Handle.....</b>	<b>8</b>

The original spare parts are available from your dealer.  
When ordering, please state:

- Serial number of the product
- Type and width/length of the product
- Spare part no.

The information contained in this spare parts list is updated at the time of publication.  
However, in the course of constant development, changes in specifications are inevitable.  
Should you find the information given in this spare parts list different to the actual machine, please contact the "After Sales Department" for advice.

# Chassis



	Syrefast stål	Acid-resistant steel	Säurebeständiger Stahl	Inox - Anti acides	EN 1.4404 (AISI 316L) EN 1.4460 (AISI 329)
	Rustfrit stål	Stainless steel	Edelstahl	Inox	EN 1.4305(AISI 303) EN 1.4460 (AISI 304)
	Polymer plastbelægn.	Polymer plastic coating	Polymer Kunststoffbeschicht.	Revêtement en plastique polymérisé	
	Kromateret	Chromit-treated	Chromit-behandelt	Bi-chromatage	Chromit
	Gummitættnede lejer	Rubber sealed bearings	Lager m/Gummidichtung	Roulements étanches	
	Bronze	Bronze	Bronze	Bronze	
	Malet 130-150 µm	Painted 130-150 µm	Gemalt 130-150 µm	Peinture 130-150 µm	

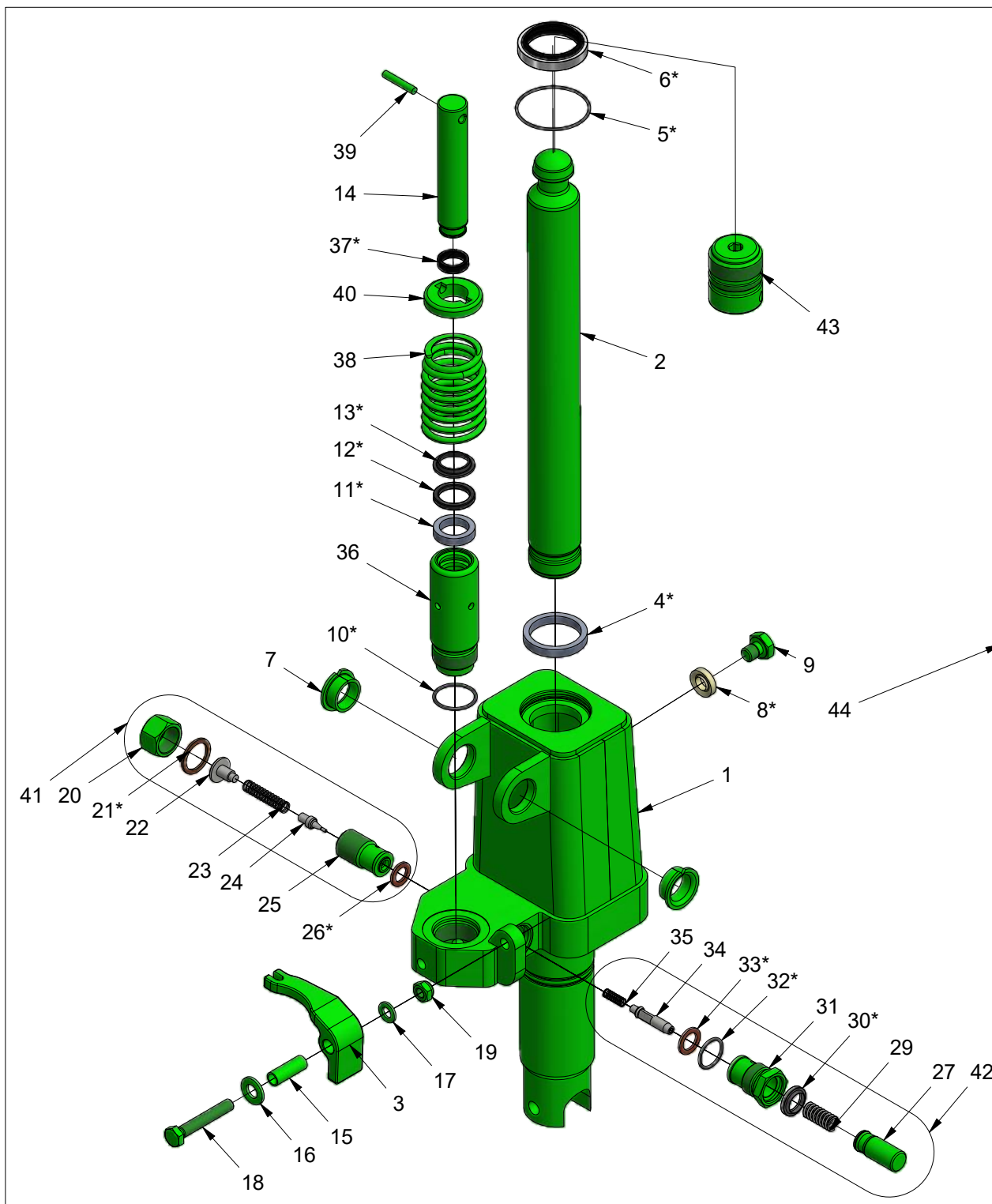
# Chassis





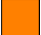


Item	Part no.	Qty	Description	Note
1	475000-1	1	Chassis 520x1140	
	475000-2		Chassis 520x915	
	475000-3		Chassis 520x1220	
	475000-6		Chassis 520x1520	
	475000-8		Chassis 520x810	
	475000-9		Chassis 520x970	
	475001-1		Chassis 680x1140	
	475001-2		Chassis 680x915	
	475001-3		Chassis 680x1220	
	475001-6		Chassis 680x1520	
	475001-8		Chassis 680x810	
	475001-9		Chassis 680x970	
	2		475045-1	
475045-2		Push rod 915		
475045-3		Push rod 1220		
475045-6		Push rod 1520		
475045-8		Push rod 810		
475045-9		Push rod 970		
3	475040	2	Bushing	
4	475041	2	Axle to a push rod	
5	475050	1	Thrust plate 520	
	475051		Thrust plate 680	
6	400950	2	Bushing stainless	
7	4015771LRF	2	Fork wheel nylon white Ø80 w/b	
	435411LRF		Fork wheel, poly, Ø80 w/b	
	4035521LRF		Fork wheel nyl. wht Ø70w/b(PIPxx7x)	
8	4015771	2	Fork wheel nylon white Ø80	Availab. only with ball bearings
	435411		Fork wheel, poly, Ø80	
	4035521		Fork wheel nylon wht Ø70 (PIPxx7x)	
9	947242	4	Ball bearing RF	
10	400159	4	Nylon Washer	
11	400156	2	Fork wheel axle stainless	
12	415353RF	2	Wheel axle, stainl.	
13	415356RF	2	Axle pushrod wheel fork	
14	933251	2	Circlip RF	
15	4039031LRF	2	Steering wheel Ø200 Nylon cpl	
	435410LRF		Steering wheel Ø200 Polyurethan cpl	
	300049DLRF		Steering wheel Ø200 anti-static cpl	
16	4039031	2	Steering wheel nyl. white Ø200	Availab. only with ball bearings
	435410		Steering wheel Ø200 Polyurethan	
	300049D		Steering wheel Ø200 anti-static	
17	947252	4	Ball bearing RF	
18	990112	2	Lubricator nipple RF	
19	928101	2	Washer	
20	917125	2	Screw RF	

# Chassis

Item	Part no.	Qty	Description	Note
21	944201	2	Hub cap	
22	475030 475030F	2	Wheel fork Wheel fork (PIPxx7x)	
23	435041	1	Handle axle RF	
24	917123	1	Screw	
25	945050RF	1	Thrust bearing	
26	990112	11	Lubricator nipple RF	
27	475065	1	Steering wheel axle	
28	937440	2	Tubular pin RF	
29	937430	2	Tubular pin RF	
30	937150	1	Pipe pin RF	
31	933501	1	Circlip	
32	924130	2	Washer	
33	917235	2	Screw stainless	
34	475047	4	Bushing	
35	933161	4	Circlip RF	
36	475130	1	Cover cap	
37	415204RF 415205RF	1	Ball socket 85 mm stainl. (Inox xx8x) Ball socket 75 mm stainl. (Inox xx7x)	Included in Pump cpl.
38	415120K 415126RFK	4	Bushing, cpl. Ø40 Bushing cpl. Panther Inox (PIPxx7x)	
39	435061-1	1	Pointed screw	
40	935232RF	1	Spring ring	Included in Pump cpl.
41	929231	2	Washer	
42	475100K	1	Handle cpl.	
43	300244 3002431 4750341	2	Tandem cpl. poly. RF Tandem cpl nylon white Tandem cpl. (PIPxx7x)	
44	947242	8	Ball bearing RF	
45	404207 404207F	4	Tandem fork RFP-RFS Tandem fork RF (PIPxx7x)	
46	990112	4	Lubricator nipple RF	
47	917856	4	Screw M8X55 RF	
48	404281	4	Busching with flange RF	
49	435412 4020811 475034	4	Tandem wheel poly. Ø80 Tandem wheel Nylon White Ø80 Wheel Ø70X68 nyl.wht (PIPxx7x)	Availab. only with ball bearings
50	435412LRF 4020811LRF 475034LRF	4	Tandem wheels Ø80x70 Poly RF Tandem wheel nylon Ø81x68 white Wheel Ø70X68 nyl. wht w/b(PIPxx7x)	
51	937435	2	Tubular pin RF	
52	101090-R75 101090-R85	1	Pump cpl.PIP2072 Pump cpl.PIP2082	
53	475070	1	Distance ring	only PIPxx7x

# Pump



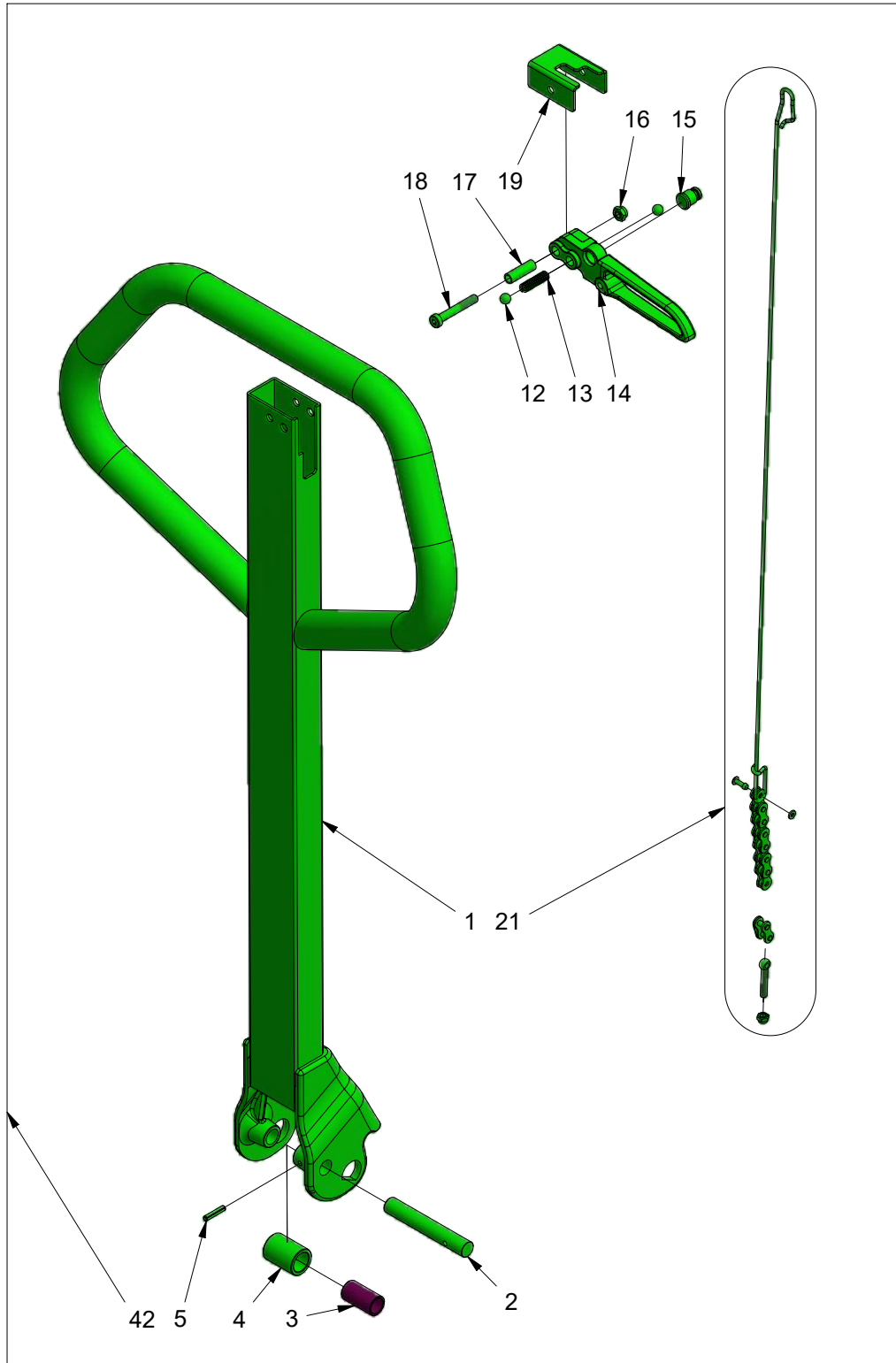
	Syrefast stål	Acid-resistant steel	Säurebeständiger Stahl	Inox - Anti acides	EN 1.4404 (AISI 316L) EN 1.4460 (AISI 329)
	Rustfrit stål	Stainless steel	Edelstahl	Inox	EN 1.4305(AISI 303) EN 1.4460 (AISI 304)
	Polymer plastbelægn.	Polymer plastic coating	Polymer Kunststoffbeschicht.	Revêtement en plastique polymérisé	
	Kromateret	Chromit-treated	Chromit-behandelt	Bi-chromatage	Chromit
	Gummitætnede lejer	Rubber sealed bearings	Lager m/Gummidichtung	Roulements étanches	
	Bronze	Bronze	Bronze	Bronze	
	Malet 130-150 µm	Painted 130-150 µm	Gemalt 130-150 µm	Peinture 130-150 µm	








# Pump

Item	Part no.	Qty	Description	Note
1	415370RF	1	Pump stainless welded	
2	415203RF	1	Piston rod	
3	415371RF	1	Release arm f/pump	
4*	901356	1	U-sleeve	
5*	900500	1	O-ring	
6*	908352RF	1	Wiper seal	
7	404281	2	Busching with flange RF	
8*	905101	1	Plug gasket	
9	917112	1	Screw RF	
10*	900262	1	O-ring	
11*	901203	1	U-sleeve	
12*	900201	1	Quad ring	
13*	908200	1	Scraper ring	
14	415004RF	1	Pump piston	
15	415008	1	Spacer pipe release	
16	928100	1	Washer RF	
17	928080	1	Washer	
18	917851	1	Screw	
19	927082	1	Lock nut	
20	435052	1	Valve cap nut SS	
21*	905205	1	Copper washer	
22	415385	1	Guide for spring	
23	958071	1	Spring	
24	415016	1	Release cone	
25	435051	1	Valve housing f/releasecone SS	
26*	415395	1	Copper washer	
27	415011-1	1	Release pin	
29	958130	1	Spring	
30*	908151	1	Wiper seal	
31	435050-1	1	Valve house safe.valve RF	
32*	900192	1	O-ring	
33*	415394	1	Copper washer	
34	100013-5	1	Safety valve 2000 kg	
35	958058	1	Spring	
36	415033RF	1	Pump cylinder	
37*	909215	1	Guide ring	
38	958430RF	1	Compression spring	
39	400171	1	Steel pin	
40	415284RF	1	Spring washer stainless	
41	170491RF	1	Release valve insert cpl. RF	
42	100492RF	1	Safety valve cpl. RF	
43	415204RF	1	Ball socket 85 mm stainless	
	415205RF		Ball socket 75 mm stainless	
44	101090-R75	1	Pump cpl. PIP2072	
	101090-R85		Pump cpl. PIP2082	
	100050	1	Gaskets cpl.	All parts marked * incl.



# Handle



	Syrefast stål	Acid-resistant steel	Säurebeständiger Stahl	Inox - Anti acides	EN 1.4404 (AISI 316L) EN 1.4460 (AISI 329)
	Rustfrit stål	Stainless steel	Edelstahl	Inox	EN 1.4305(AISI 303) EN 1.4460 (AISI 304)
	Polymer plastbelægn.	Polymer plastic coating	Polymer Kunststoffbeschicht.	Revêtement en plastique polymérisé	
	Kromateret	Chromit-treated	Chromit-behandelt	Bi-chromatage	Chromit
	Gummitættnede lejer	Rubber sealed bearings	Lager m/Gummidichtung	Roulements étanches	
	Bronze	Bronze	Bronze	Bronze	
	Malet 130-150 µm	Painted 130-150 µm	Gemalt 130-150 µm	Peinture 130-150 µm	



# Handle

Item	Part no.	Qty	Description	Note
1	475100	1	Handle	
2	435042	1	Axle RF	
3	475111	1	Busching	
4	475110	1	Handle roller	
5	937420	1	Tubular pin RF	
12	941108	2	Ball RF	
13	958123	1	Pressure spring RF	
14	435057	1	Release lever RF	
15	435036	1	Pin	
16	927060	1	Lock nut	
17	435037	1	Bushing for release handle RF	
18	917641	1	Screw RF	
19	435035	1	Top for handle RF	
21	435065-1K	1	Release rod cpl.	
42	475100K	1	Handle cpl.	