



S911

WIRELESS REMOTE CONTROL RCW 1 OG RCW 2

Contents

1.0 Before the first lift	3
2.0 Functions and identifications	4
2.1 Receiver	4
2.2 Transmitter (RCW 1 and RCW 2).....	6
3.0 How to operate the remote control	5
3.1 Wireless remote control.....	5
3.2 Special conditions	5
4.0 Optimum safety	6
4.1 Emergency stop.....	7

1.0 BEFORE THE FIRST LIFT

ENGLISH

The **wireless remote control** can be used together with the electric Logitrans trucks. This instruction manual is a supplement to the instruction manual of the electric trucks.

Please therefore read through both instruction manuals before using the remote control!

Important information

- **Check whether the wireless remote control uses the same frequency as another wireless controlled product in the area!** If it does, change the frequency of the wireless remote control, cf. paragraph 5.7 of the enclosed yellow instruction manual.
- When a product is **remote controlled**, the user must have the **full view of the product** and its movements during operation!
- **The user has an extended responsibility** – both for his safety and for the safety of other persons in the operation area

2.0 FUNCTIONS AND IDENTIFICATIONS

ENGLISH

The wireless system consists of a "transmitter" and a "receiver". The system is factory set to frequencies between 433.100 MHz and 434.740 MHz. The operating area is approx. 3-5 meters

2.1 Receiver

The receiver is fitted on the Logitrans product.



RCW 1



2.2 Transmitter (RCW 1 and RCW 2)

1. Lifting/lowering or rotating/tilting
2. Lifting/lowering
3. Rotating/tilting
4. ON/OFF
(Switches off automatically 4 minutes after last action)
5. Green lamp flashes, when the transmitter is on
6. Red lamp flashes when the batteries are to be exchanged (2 AAA batteries)

RCW 2



3.0 HOW TO OPERATE THE REMOTE CONTROL

ENGLISH

3.1 Wireless remote control

The wireless remote control is switched on when pressing the **ON/OFF** button on the transmitter.

The **green lamp** on the transmitter flashes when the connection is active.

By pressing the buttons of the transmitter, the product will operate as shown on the arrow direction.

The standard functions of the Logitrans product can always be activated (also when the remote control is switched on).

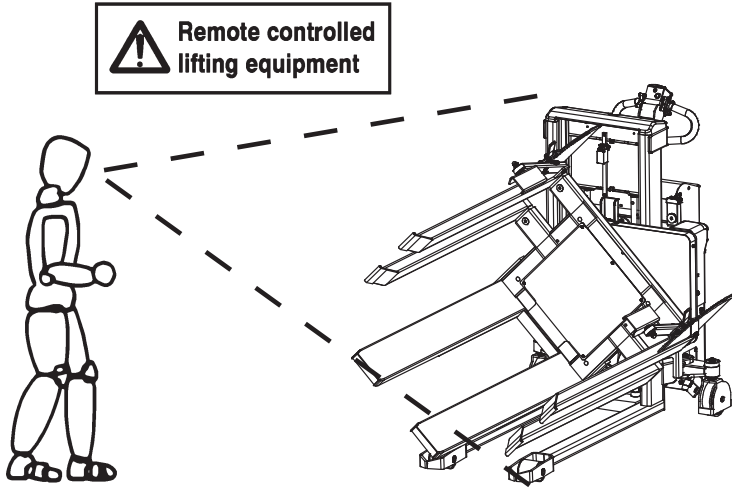
3.2 Special conditions

When lifting/lowering, the wireless remote control only functions at lifting heights above 200 mm, as the Logitrans products have a safety bottom switch (foot protection).

When lowering to 200 mm, the product can only be lowered to the floor by manual operation (the user is placed safely behind the handle). In this way the feet of the user will not get jammed.

4.0 OPTIMUM SAFETY

ENGLISH



Safety conditions

- The user must have the full view of the product and its movements during operation
- The user has the responsibility – both for his safety and for the safety of other persons in the operation area
- If the user does not have the full view over the product being remote controlled and its movements, the area around the product has to be roped off
- The user must always have free access to the emergency stop of the product
- The product has to have a yellow label with the text: "Remote controlled equipment!"



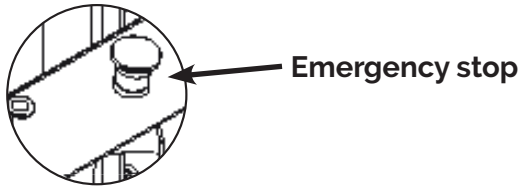
4.0 OPTIMUM SAFETY

ENGLISH

4.1 Emergency stop

The emergency stop is placed on the Logitrans product being operated.

Note: The red button on the wireless transmitter is only an ON/OFF button for the remote control.





Ergonomic **Lifting Performance**

Logitrans A/S

+45 76 88 16 00

info@logitrans.com

www.logitrans.com

