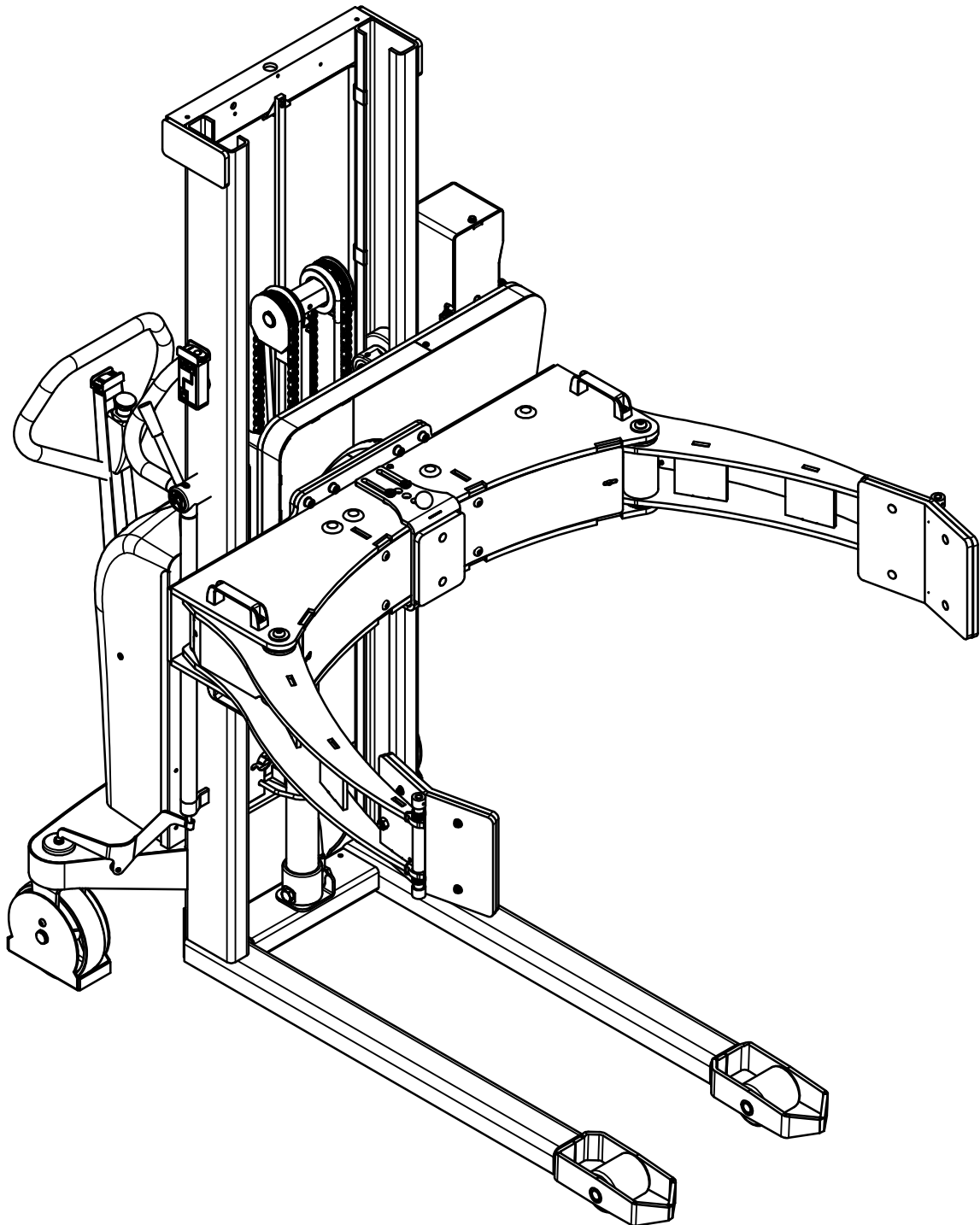
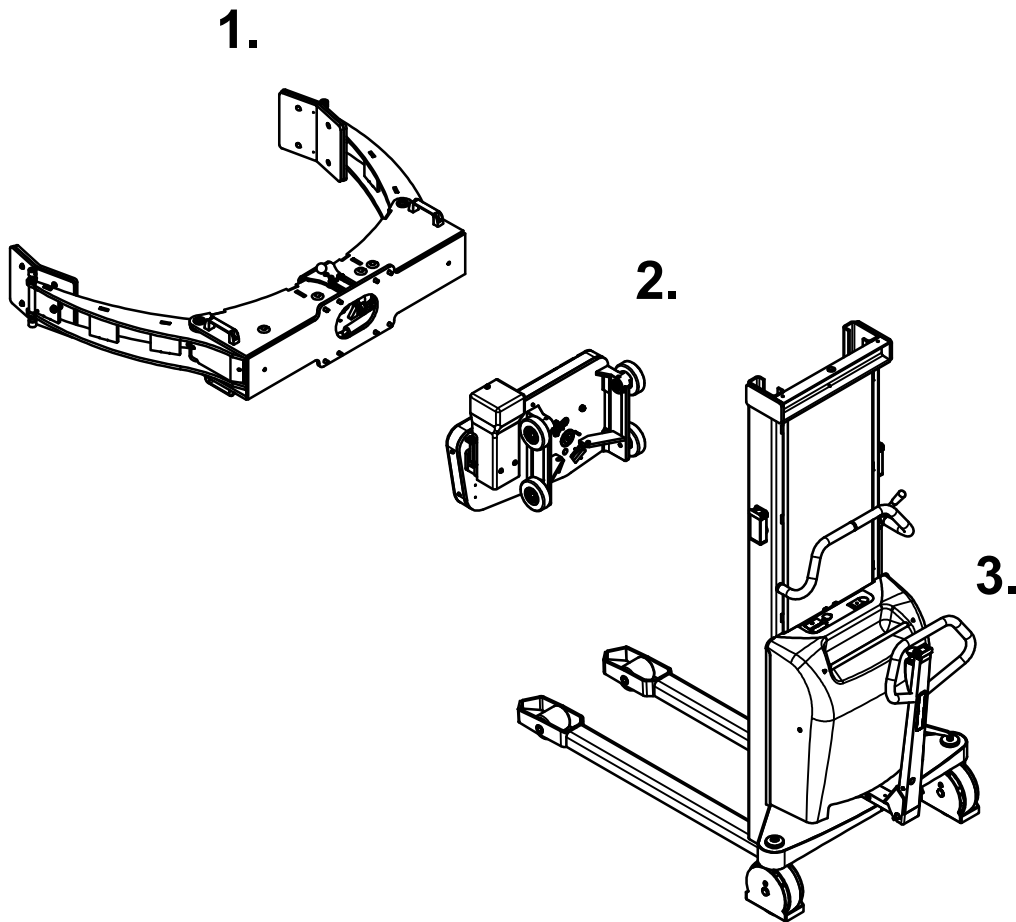


ELFRRM / ELFSRRM ELFRRE / ELFSRRE SPARE PARTS

-Addition to ELF/ELFS spare parts list





Index

1.Reel clamp.....	3
2.Rotator console.....	6
2.1 Manual.....	6
2.2 Electric.....	8
3.Parts on truck.....	13

The correct spare parts are obtainable from your dealer.
When ordering, please state:

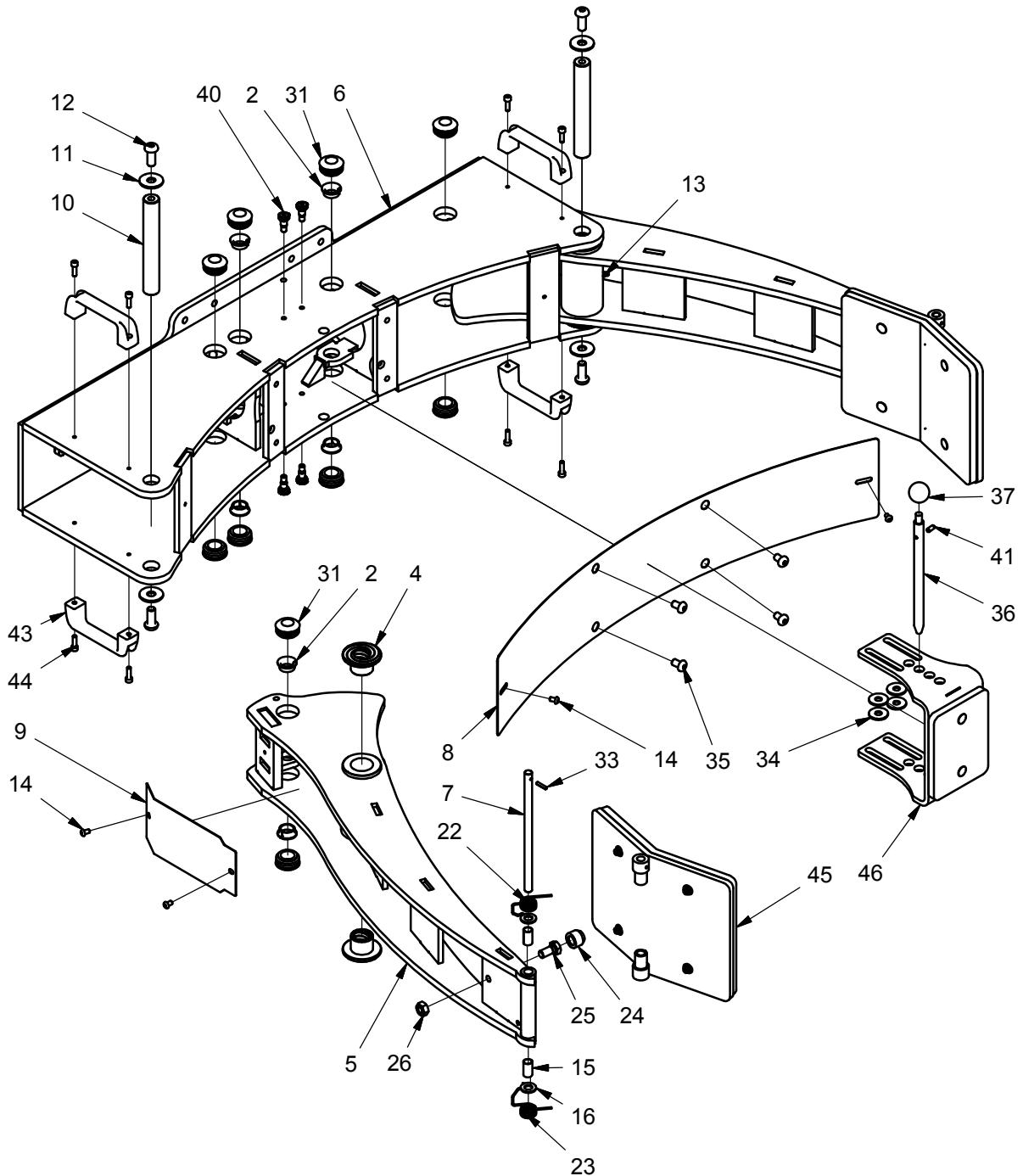
- Serial number of the product
- Model number
- Spare part number

When ordering spare parts marked with "Multiple colours", please state one of the following colour codes:

- 1: RAL 2002 (Logitrans red)
- 2: RAL 1028 (yellow)
- 3: An other RAL colour
- 6: black

Ex. 425050-1 => 425050-1-1

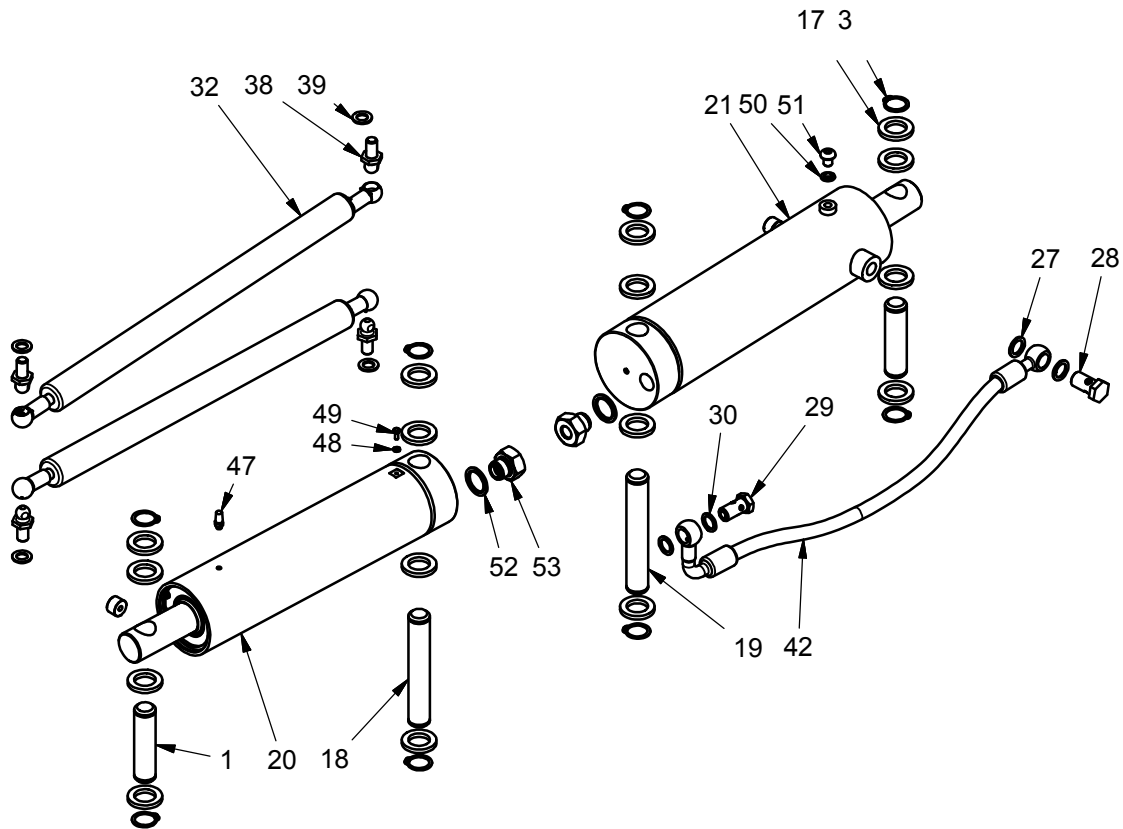
Reel clamp



Reel clamp

Item	Part no.	Qty	Description	Note
2	404062	8	Bushing	
4	445220	4	Bronze bearing	
5	445200	2	Gripping arm	Multiple colours
6	445201	1	Gripping console	Multiple colours
7	445225	2	Axle	
8	445218	1	Front cover	Multiple colours
9	445219	2	Side cover	Multiple colours
10	445224	2	Axle f/arm	
11	929130	4	Washer	
12	919230	4	Screw	
13	990012	2	Lubricator nipple	
14	919610	6	Screw	
15	948123	4	Bushing	
16	924130	4	Washer	
22	445152	2	Return spring	
23	445153	2	Return spring	
24	999012	2	Rubber cap	
25	915225	2	Screw	
26	922120	2	Nut	
31	993036	12	Plug cap	
34	924112	4	Washer	
35	919120	4	Screw	
36	445244	1	Locking pin	
37	941310	1	Bakelite ball	
40	919226E	4	Bolt	
41	910615	1	Spring pointed screw	
43	996120	4	Handle	
44	912620	8	Screw	
45	445202C	2	Gripping pad	Multiple colours
46	445243C	1	Adjustable support plate	Multiple colours

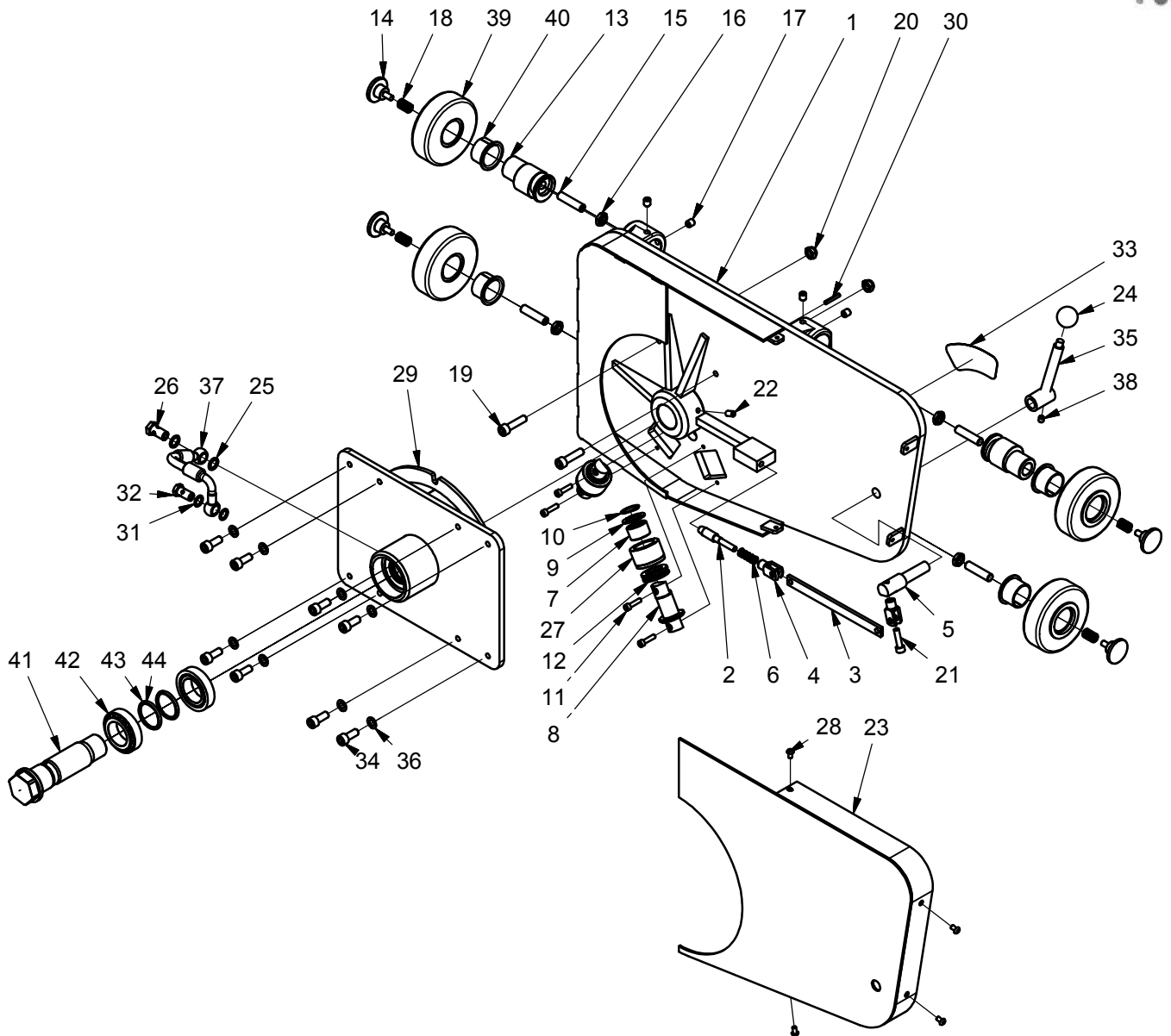
Reel clamp



Item	Part no.	Qty	Description	Note
1	445221	2	Assembly axle piston rod	
3	933200	8	Locking ring	
17	929203	16	Axle washer	
18	445223	1	Cylinder assembly axle 2	
19	445222	1	Cylinder assembly axle 1	
20	445227RU	1	Slave cylinder	
21	445226RU	1	Primary cylinder	
27	905145	2	Copper washer	
28	971146	1	Banjo bolt	
29	973015	1	Banjo bolt	
30	905143	2	Copper washer	
32	995140	2	Gas extension spring 1400N	
33	931420	2	Spring pin	
38	445245	4	Ball stud bolt	
39	924101	4	Washer	
42	445112	1	Cylinder connector (syncro)	
47	966115	1	Silencer/filter	
48	905030	1	Sealing disc	
49	915308	1	Screw	
50	905080	1	Sealing disc	
51	919811	1	Screw	
52	905207	1	Sealing disc	
53	402786	1	Insert	

Rotator console

Manual rotation



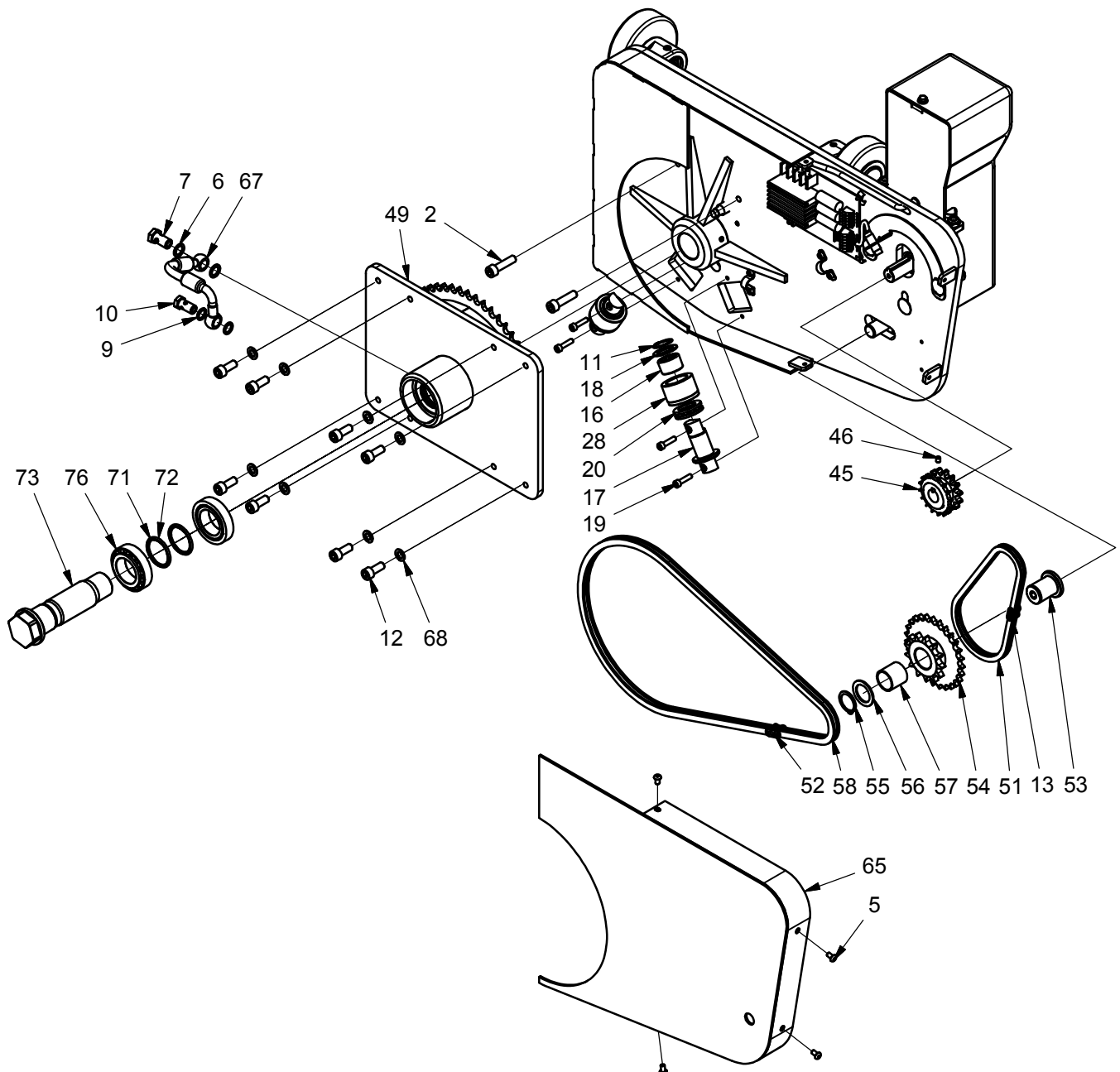
Rotator console

Manual rotation

Item	Part no.	Qty	Description	Note
1	445008	1	Rotator console	Multiple colours
2	445017	1	Release pin	
3	445040	1	Release rod	
4	939008	2	Fork head	
5	445042	1	Release axle	
6	958033	1	Spring	
7	949252	2	Roller bearing	
8	404256	2	Support axle	
9	924250	2	Washer	
10	933250	2	Circlip	
11	912625	4	Screw	
12	945025	2	Bearing	
13	404076	2	Eccentric axle	
14	420153	4	Tap for fork bracket	
15	910250	4	Pointed screw	
16	920122	4	Counter nut	
17	910012	4	Pointed screw	
18	958144	4	Spring	
19	912140	2	Screw	
20	921100	2	Lock nut	
21	912830	1	Screw	
22	910816	1	Pointed screw	
23	445012	1	Cover	Multiple colours
24	941310	1	Bakelite ball	
25	905145	2	Copper washer	
26	971146	1	Banjo bolt	
27	445026	2	Support roller Ø45	
28	919610	4	Screw	
29	445024K	1	Hydraulic console manual, cpl	Multiple colours
30	937530	1	Tubular pin stainless	
31	905143	2	Copper washer	
32	973015	1	Banjo bolt	
33	991264	1	Rotation label	
34	912125	8	Screw	
35	445046	1	Handle f/release axle	
36	924101	8	Washer	
37	445110	1		
38	910808	1	Screw	
39	404073	4	Use 404073K	
40	948314	4	Bearing bush	
41	445025	1	Bearing axle	
42	945468	2	Ball bearing	
43	900425	2	O-ring sealing	Replace when replacing 909400
44	909400	2	Rotational sealing	Replace when replacing 900425

Rotator console

Electric rotation



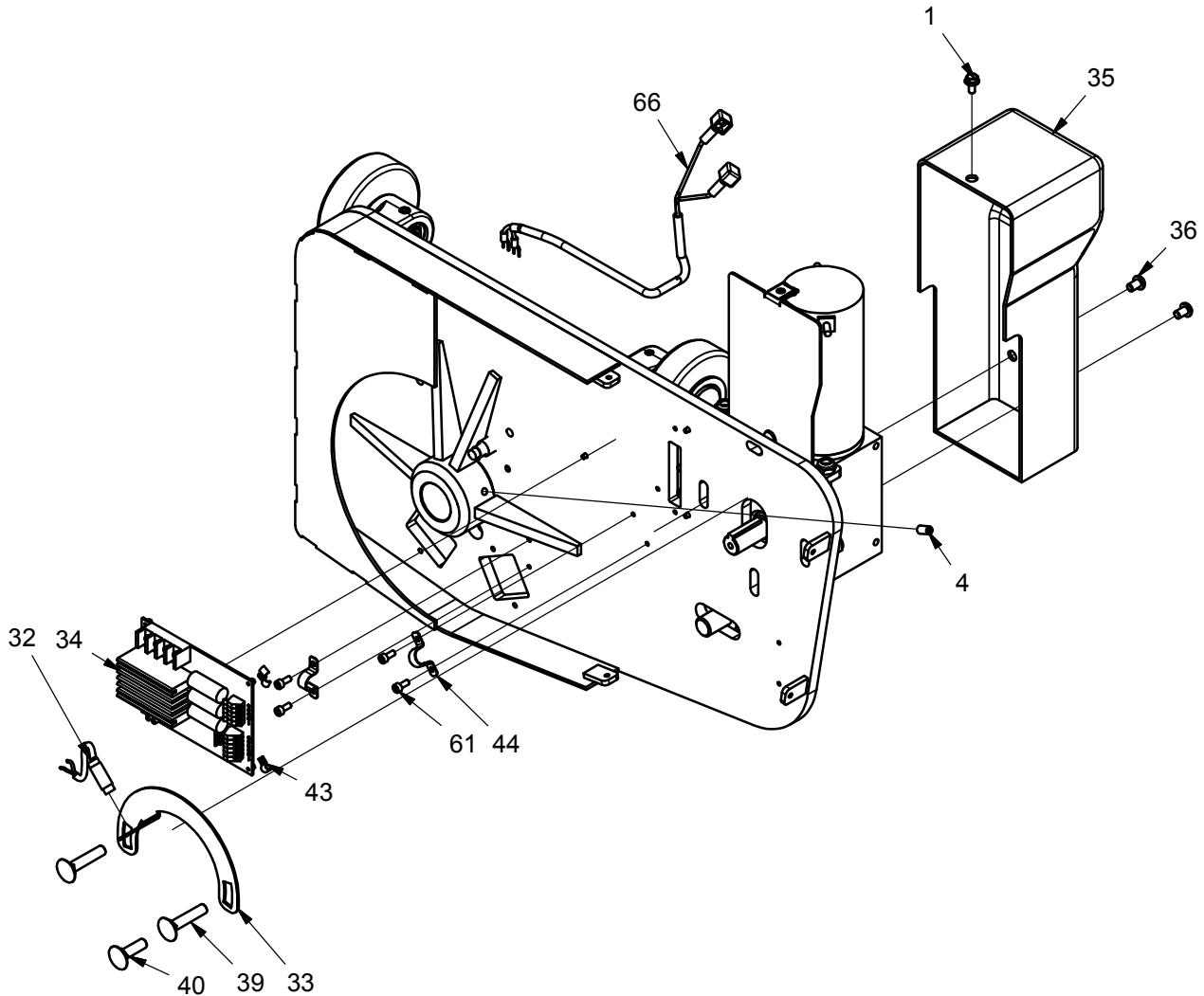
Rotator console

Electric rotation

Item	Part no.	Qty	Description	Note
2	912140	2	Screw	
5	919610	4	Screw	
6	905145	2	Copper washer	
7	971146	1	Banjo bolt	
9	905143	2	Copper washer	
10	973015	1	Banjo bolt	
11	933250	2	Circlip	
12	912125	8	Screw	
13	951021	1	Chain connector	
16	949252	2	Roller bearing	
17	404256	2	Support axle	
18	924250	2	Washer	
19	912625	4	Screw	
20	945025	2	Bearing	
28	445026	2	Support roller Ø45	
45	445037	1	Chain sprocket	
46	910608	1	Pointed screw	
49	445023	1	Hydraulic console	Multiple colours
51	403059	1	Chain	
52	951042	1	Chain connector	
53	404258	1	Chain wheel pin	
54	403040	1	Chain wheel	
55	933280	1	Circlip	
56	924280	1	Washer	
57	948313	1	Bushing	
58	445038	1	Chain	
65	445012	1	Cover	Multiple colours
67	445110	1	Hydraulic connector	
68	924101	8	Washer	
71	909400	1	Rotational sealing	Replace when replacing 900425
72	900425	1	O-ring sealing	Replace when replacing 909400
73	445025	1	Bearing axle	
76	945468	1	Ball bearing	

Rotator console

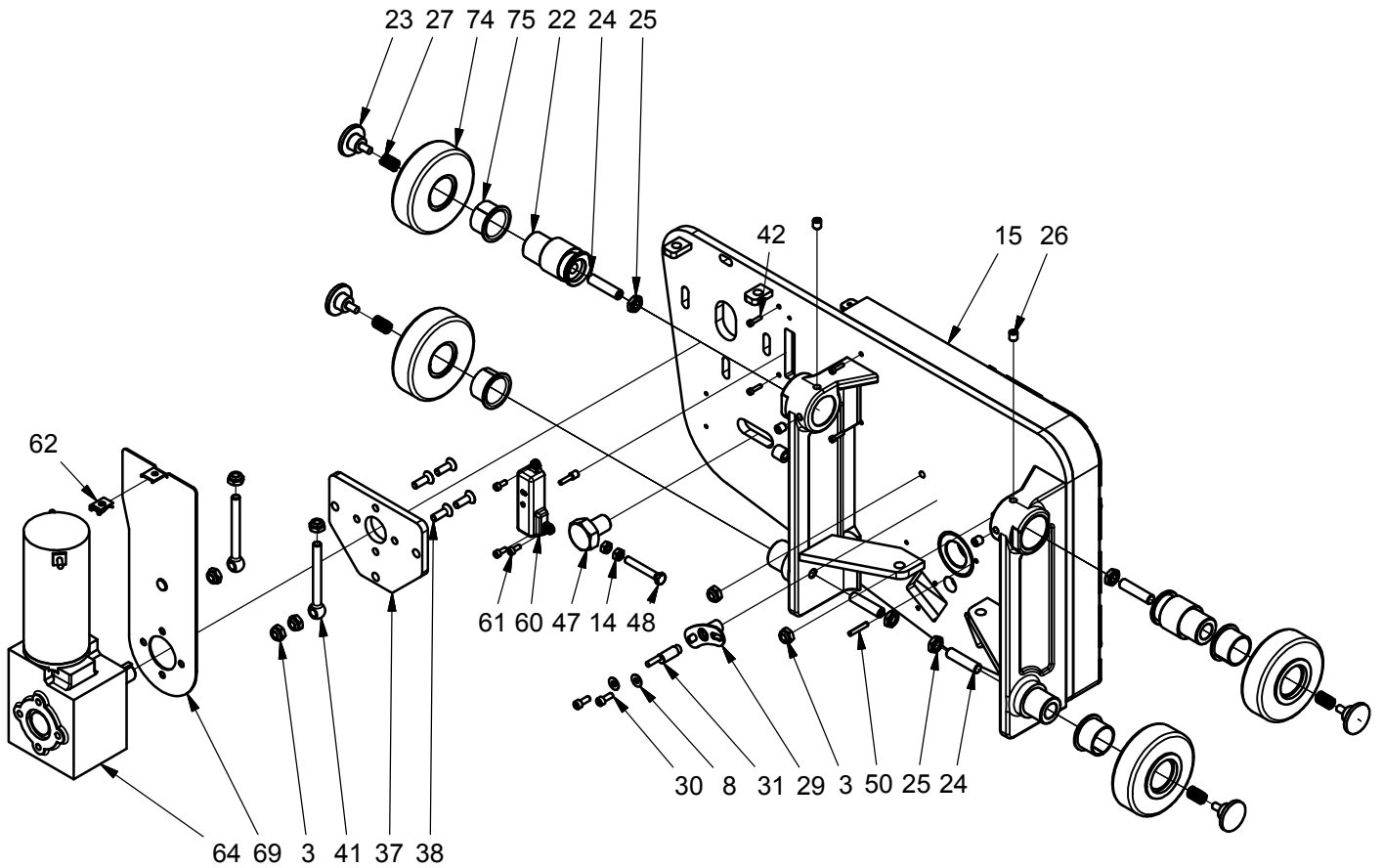
Electric rotation



Item	Part no.	Qty	Description	Note
1	916612	1	Screw	
4	910816	1	Pointed screw	
32	985407	1	Inductive sensor f/motor contr	
33	404277	1	Holder for sensor	
34	985405	1	Motor control unit	
35	404225	1	Motor cover	
36	919812	2	Screw	
39	919151	2	Bolt	
40	919136	1	Bolt	
43	980204	3	Cable holder	
44	989050	2	Holder for cable	
61	912512	7	Screw	
66	150021	1	Cable f/gear motor	

Rotator console

Electric rotation

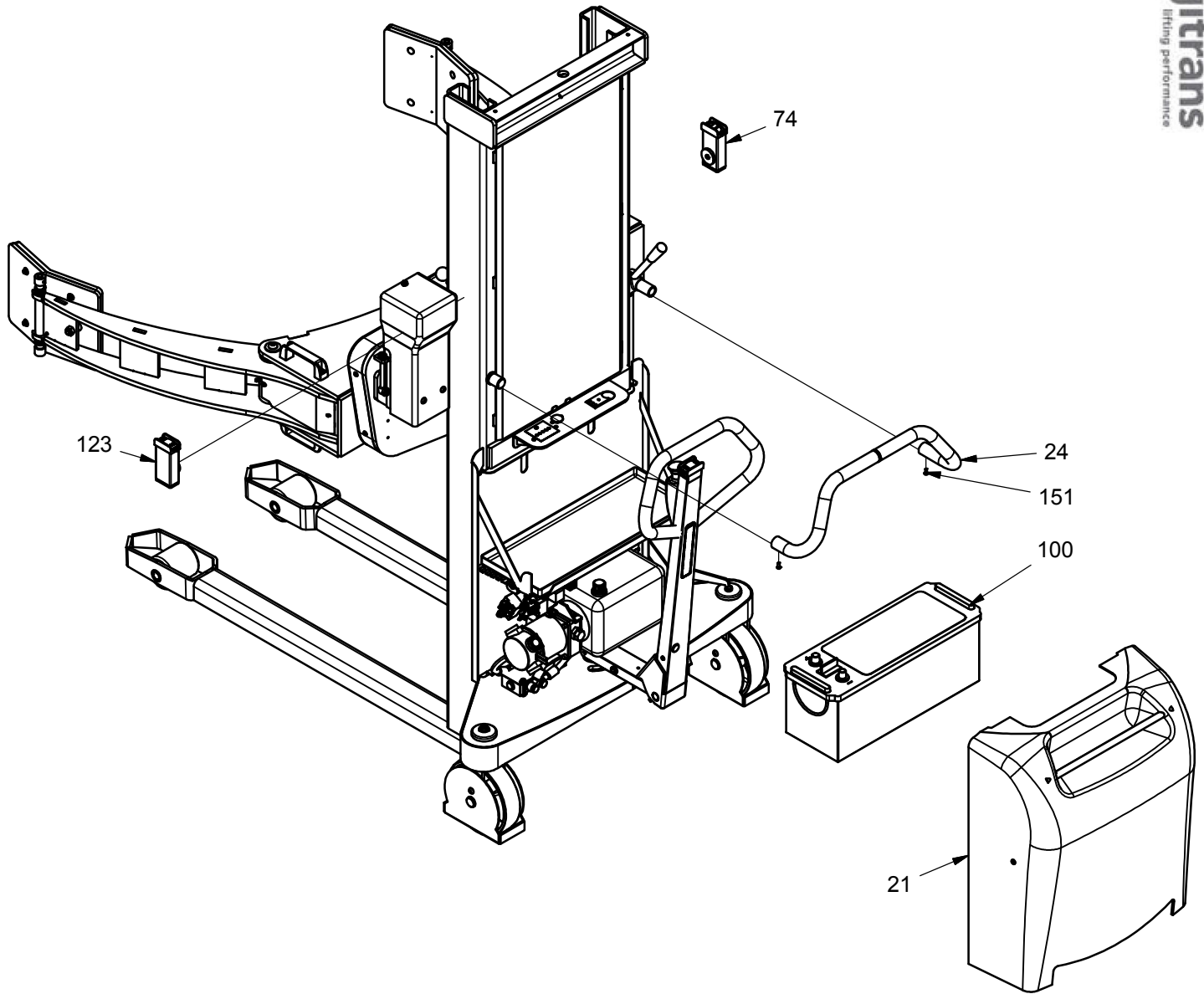


Rotator console

Electric rotation

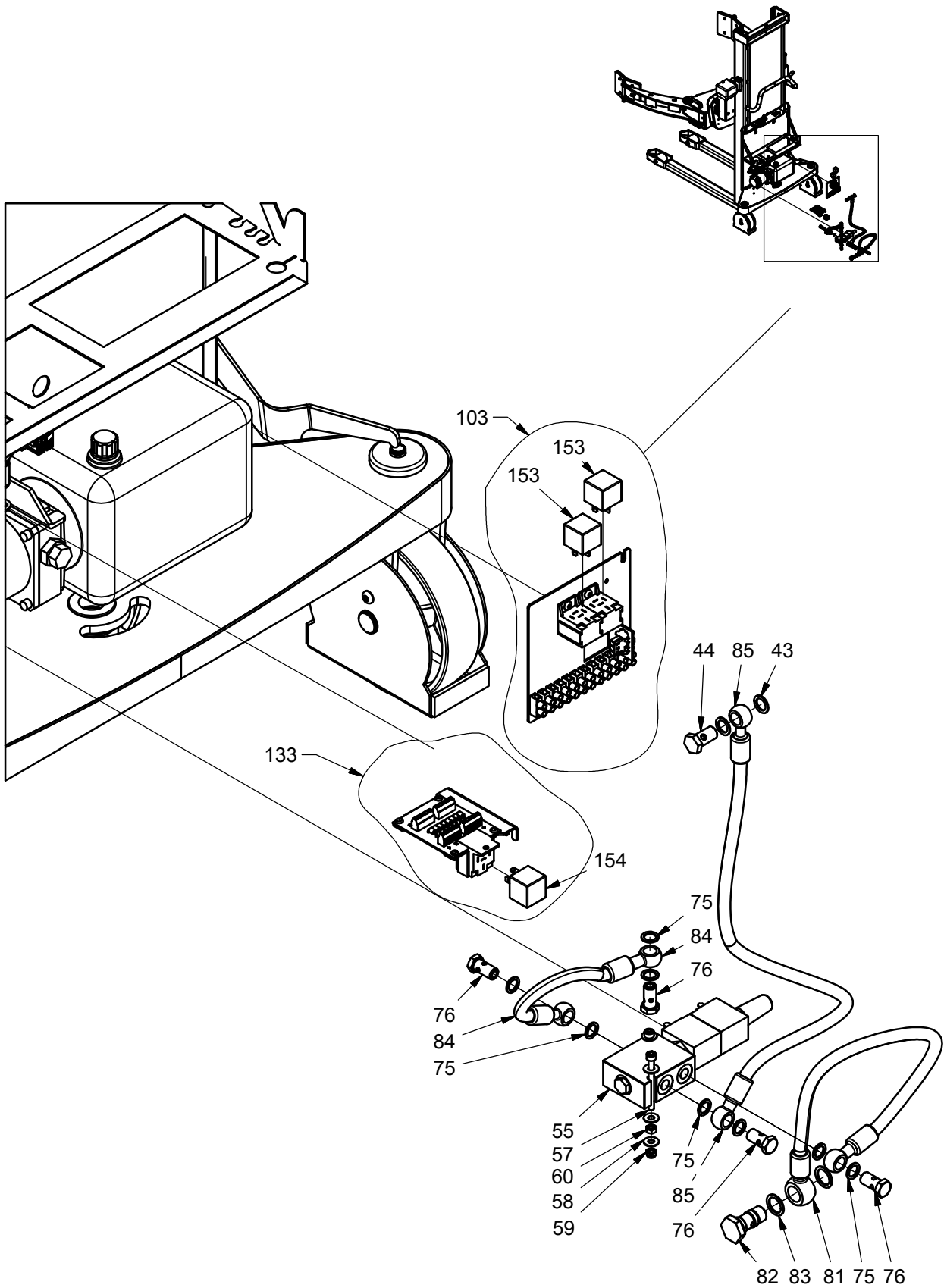
Item	Part no.	Qty	Description	Note
3	921100	7	Lock nut	
8	924060	2	Washer	
14	922080	2	Nut	
15	445005	1	Rotator console	Multiple colours
22	404076	2	Eccentric axle	
23	420153	4	Tap for fork bracket	
24	910250	4	Pointed screw	
25	920122	4	Counter nut	
26	910012	4	Pointed screw	
27	958144	4	Spring	
29	445013	1	Sensor mount	
30	912616	2	Screw	
31	985407	1	Inductive sensor f/motor contr	
37	403691	1	Flange	Multiple colours
38	911825	4	Screw	
41	919110	2	Eye bolt	
42	912416	4	Skrue	
47	404257	1	Chain wheel bolt	
48	919855	1	Screw	
50	937530	1	Tubular pin stainless	
60	445060	1	Cover	
61	912512	7	Screw	
62	920062	1	Plate nut	
64	985250	1	Gear motor 12 Volt	
70	445061	1	Button	
74	404073	4	Mast Roller	
75	948314	4	Bearing bush	

Parts on truck



Item	Part no.	Qty	Description	Note
21	420036	1	Cover	
24	420111K	1	Handle tube	
74	160950	1	Remote control clamp	
100	986036	1	Battery 12V 119Ah	
123	160186	1	Remote control rotate	
151	919512	2	Screw	

Parts on truck

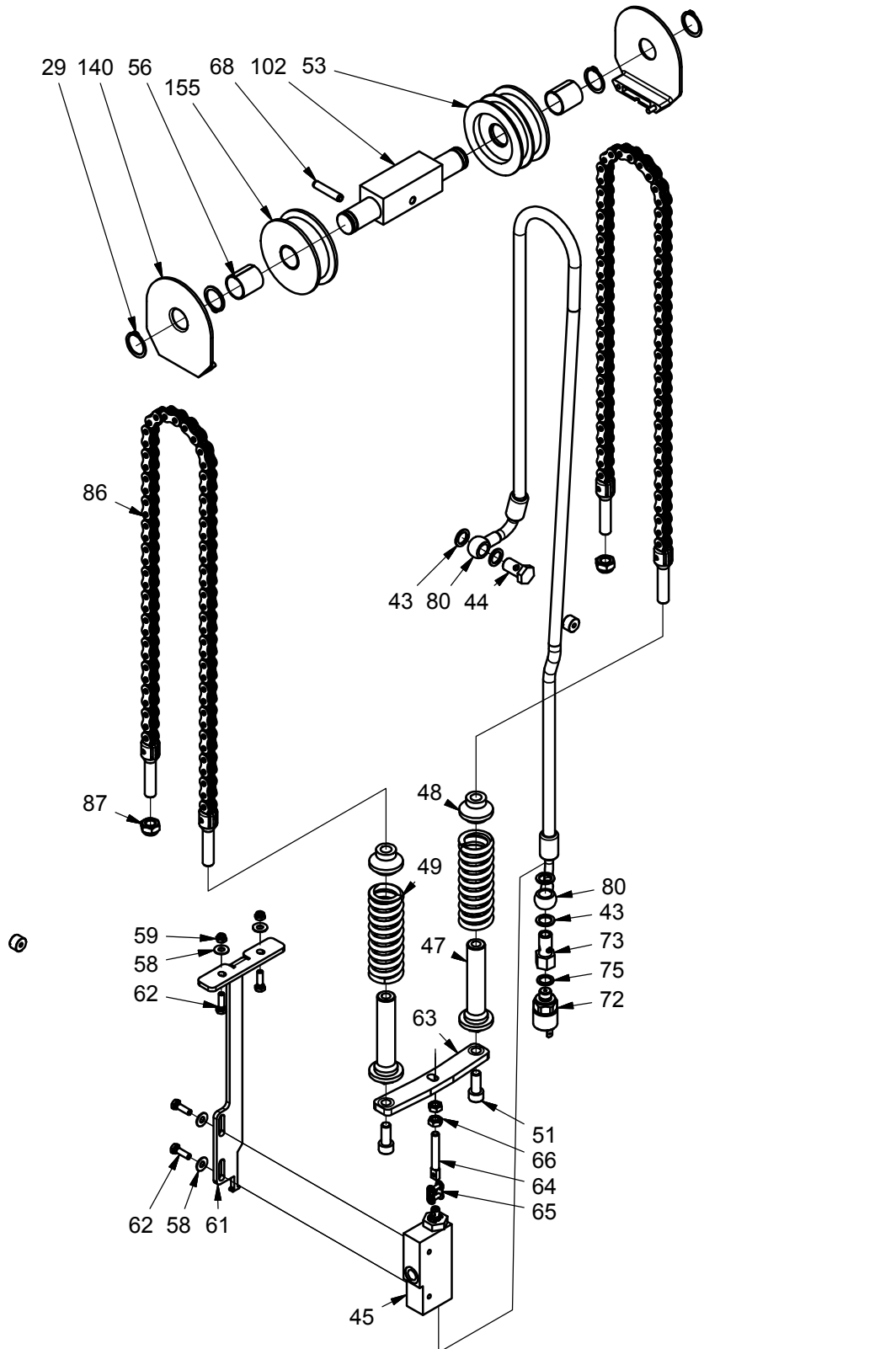


Parts on truck

Item	Part no.	Qty	Description	Note
43	905145	9	Copper washer	
44	971146	3	Banjo bolt	
55	999032	1	Diverter valve	
57	912665	2	Bolt	
58	924060	15	Washer	
59	921060	4	Lock nut	
60	922060	2	Nut	
75	905143	11	Copper washer	
76	973015	5	Banjo bolt	
81	445111	1	Hydraulik conector	
82	984843	1	Flow valve	
83	905180	2	Copper washer	
84	445113	1	Hydraulik conector	
85	445115	1	Hydraulik conector	
103	168520	1	Relay module	
133	160181-2	1	Hydraulic controller	
153	982052	1	Relay NO	
154	982057	1	Relay NO+NC	

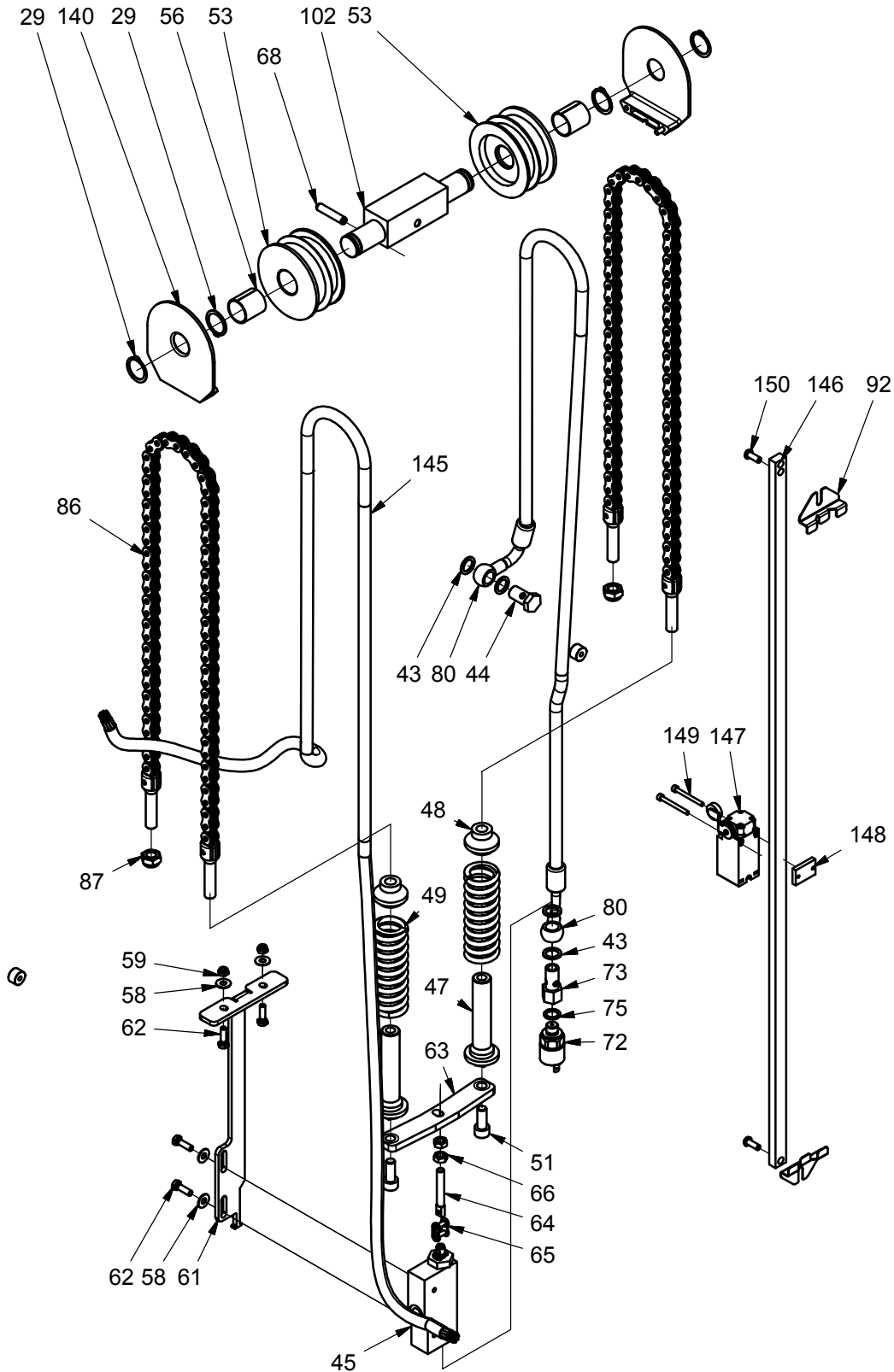
Parts on truck

ELFRRM/ELFSRRM



Parts on truck

ELFRRE/ELFSRRE



Parts on truck

Item	Part no.	Qty	Description	Note
29	933250	6	Circlip	
43	905145	9	Copper washer	
44	971146	3	Banjo bolt	
45	445101	1	Safety cut-off valve	
47	445050	2	Axle f/spring	
48	445051	2	Base f/spring	
49	958110	2	Spring	
51	912125	10	Screw	
53	403031	2	Cable roller	
56	404063	2	Bushing f/chain roller	
58	924060	15	Washer	
59	921060	4	Lock nut	
61	445139	1	Valve mount	
62	915620	4	Set screw	
63	445149	1	Cross piece	
64	400605	1	Chain adjuster	
65	951021	2	Chain connector	
66	922080	4	Nut	
68	931840	1	Straight pin	
72	988012	1	Pressure switch	
73	430059	1	Banjobolt TS	
75	905143	11	Copper washer	
80	445114	1	Hydraulic connector	
86	402704	2	Lifting chain	
87	921120	2	Lock nut	
92	404458	2	Top clips f/safety screen	
102	404146	1	Cross piece	
140	402263	2	Cover for chain roller	
145	981211	1	Cable	
146	420192-4	1	Fitting for stop device 1600	
147	982228	1	Switch 2NO (920-1200)	
148	420159	1	Switch fastening	
149	912440	2	Screw	
150	919617	2	Rh Screw M6x16 Iso 7380	