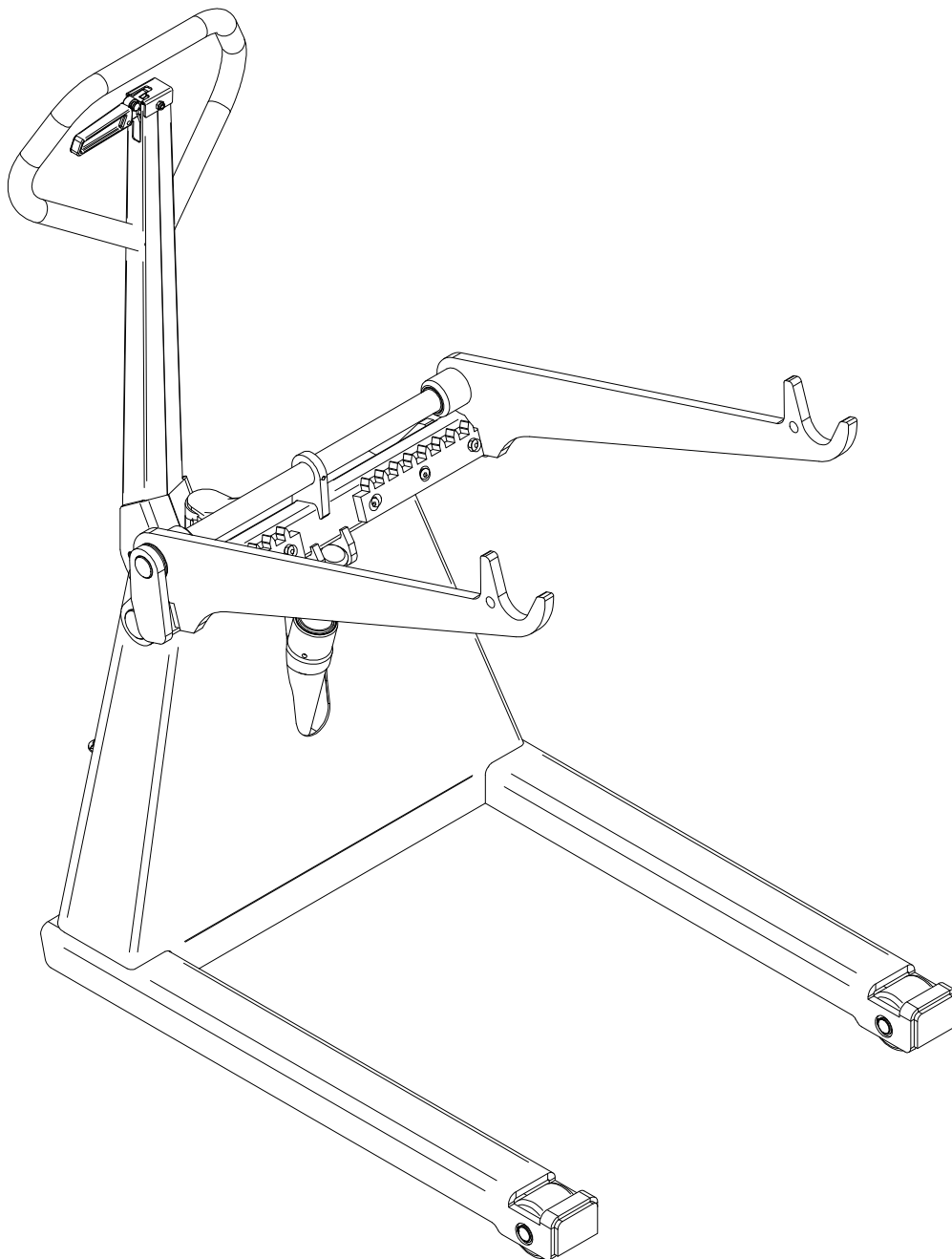
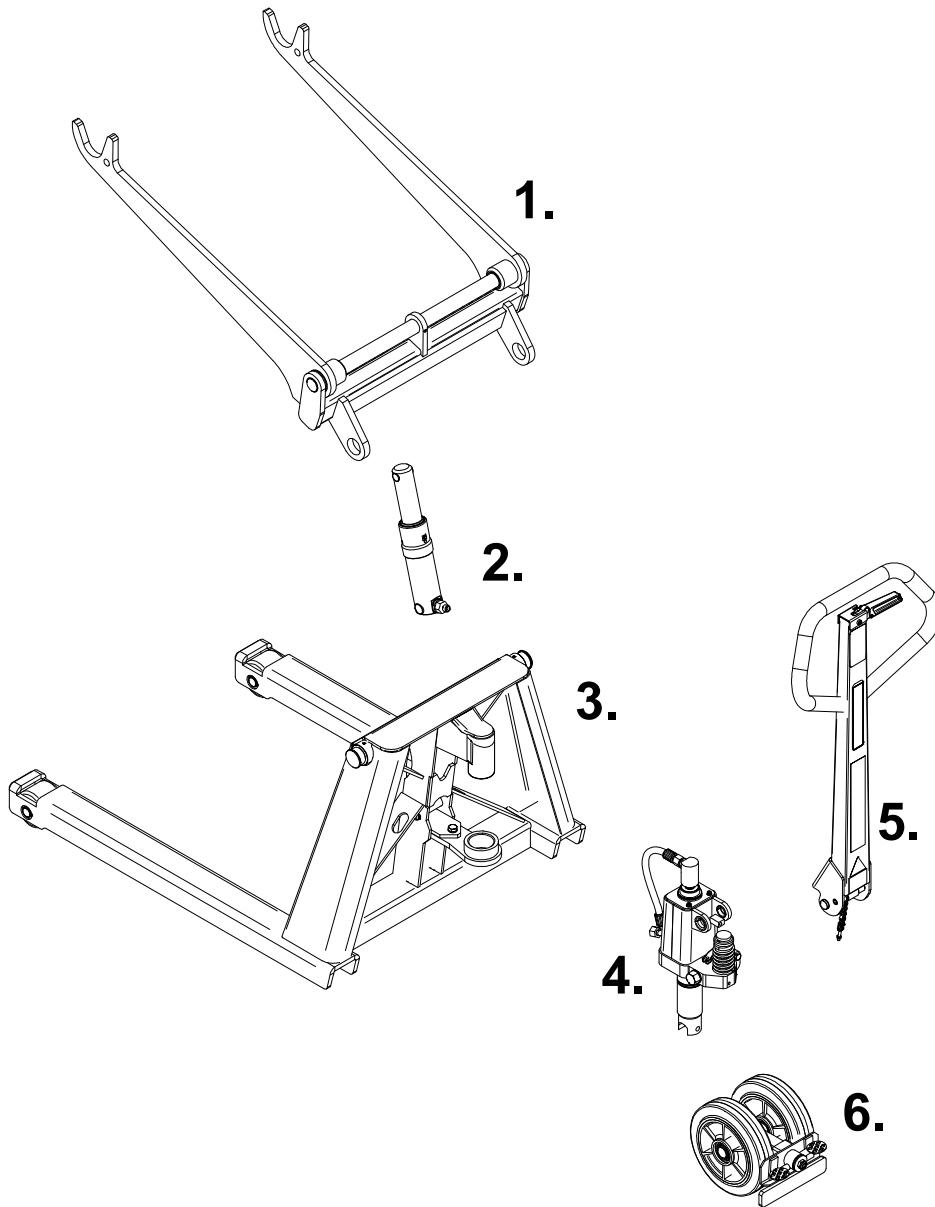


RL 500

Spare parts





Index

1.Fork console.....	3
2.Lift cylinder.....	4
3.Chassis.....	5
4.Pump.....	6
5.Handle.....	9
6.Steer wheels.....	11

The correct spare parts are obtainable from your dealer.
When ordering, please state:

- Serial number of the product
- Model number
- Spare part number

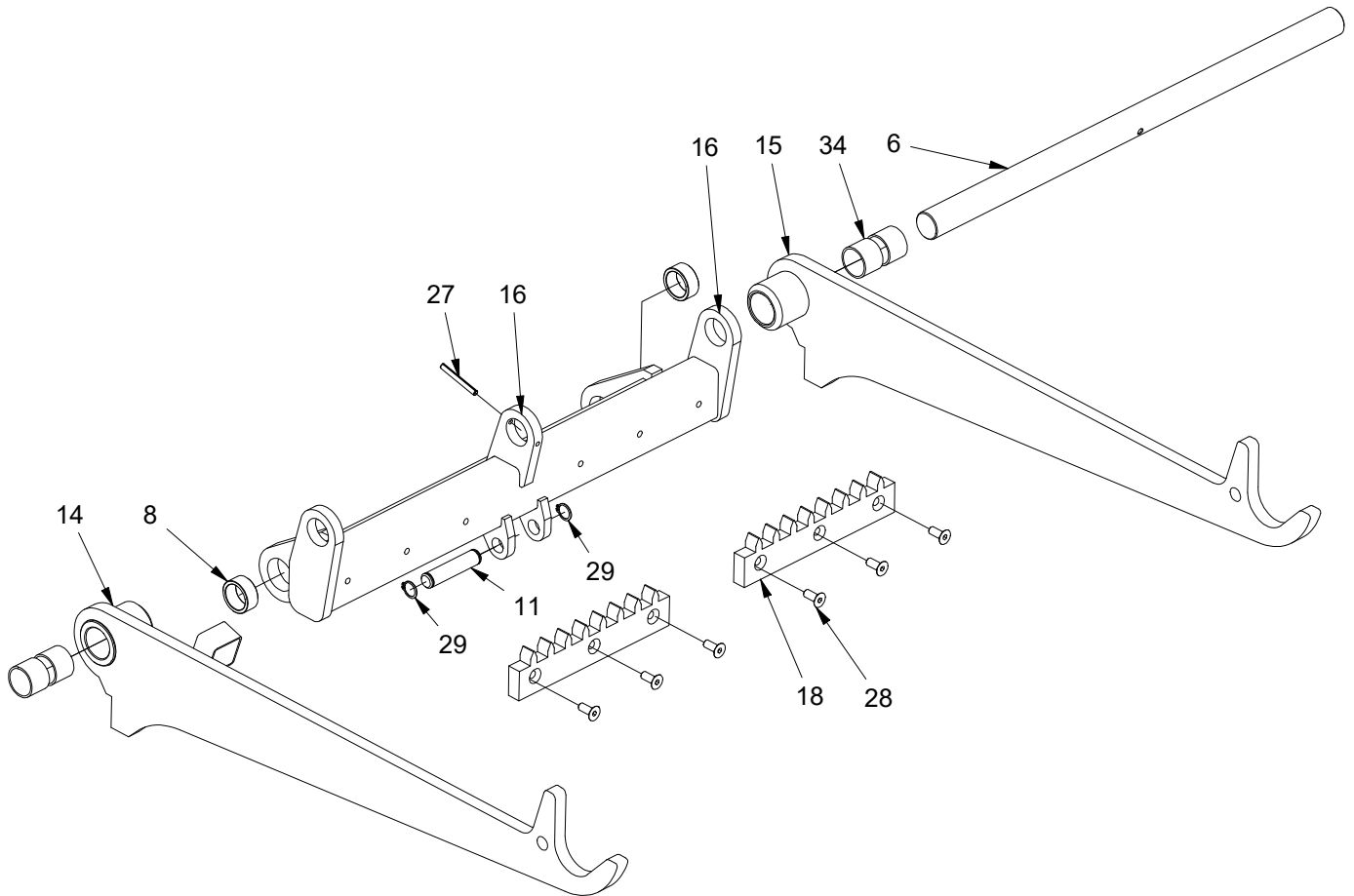
Allways read the comments of a the lists
as it may be nessesary to have to consider different
Part Numbers in relation to the vehicle's serial number.

When ordering spare parts marked with "Multiple colours",
please state one of the following colour codes:

- 1: RAL 2002 (Logitrans red)
- 2: RAL 1028 (yellow)
- 3: An other RAL colour
- 6: black

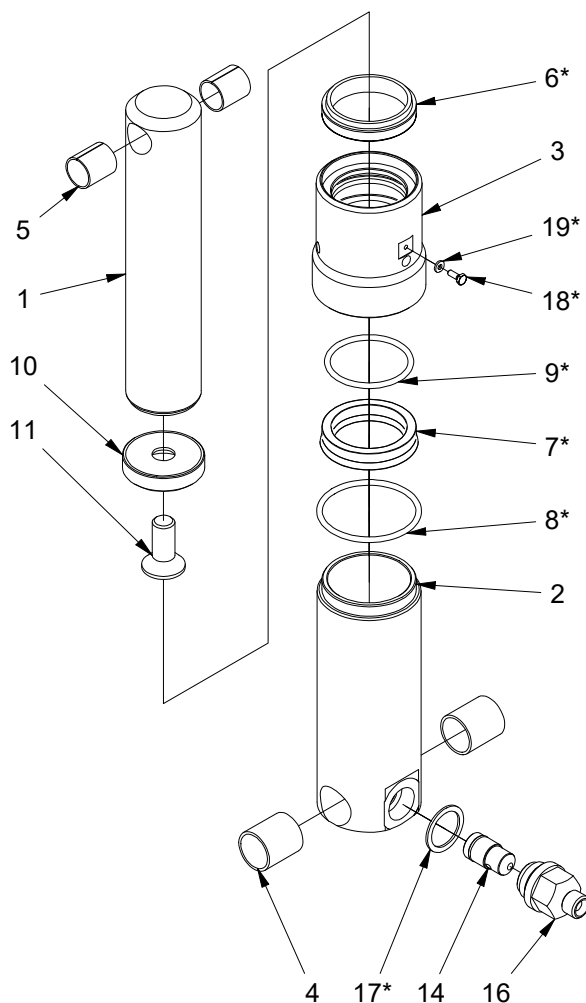
Ex. 425050-1 => 425050-1-1

Fork console



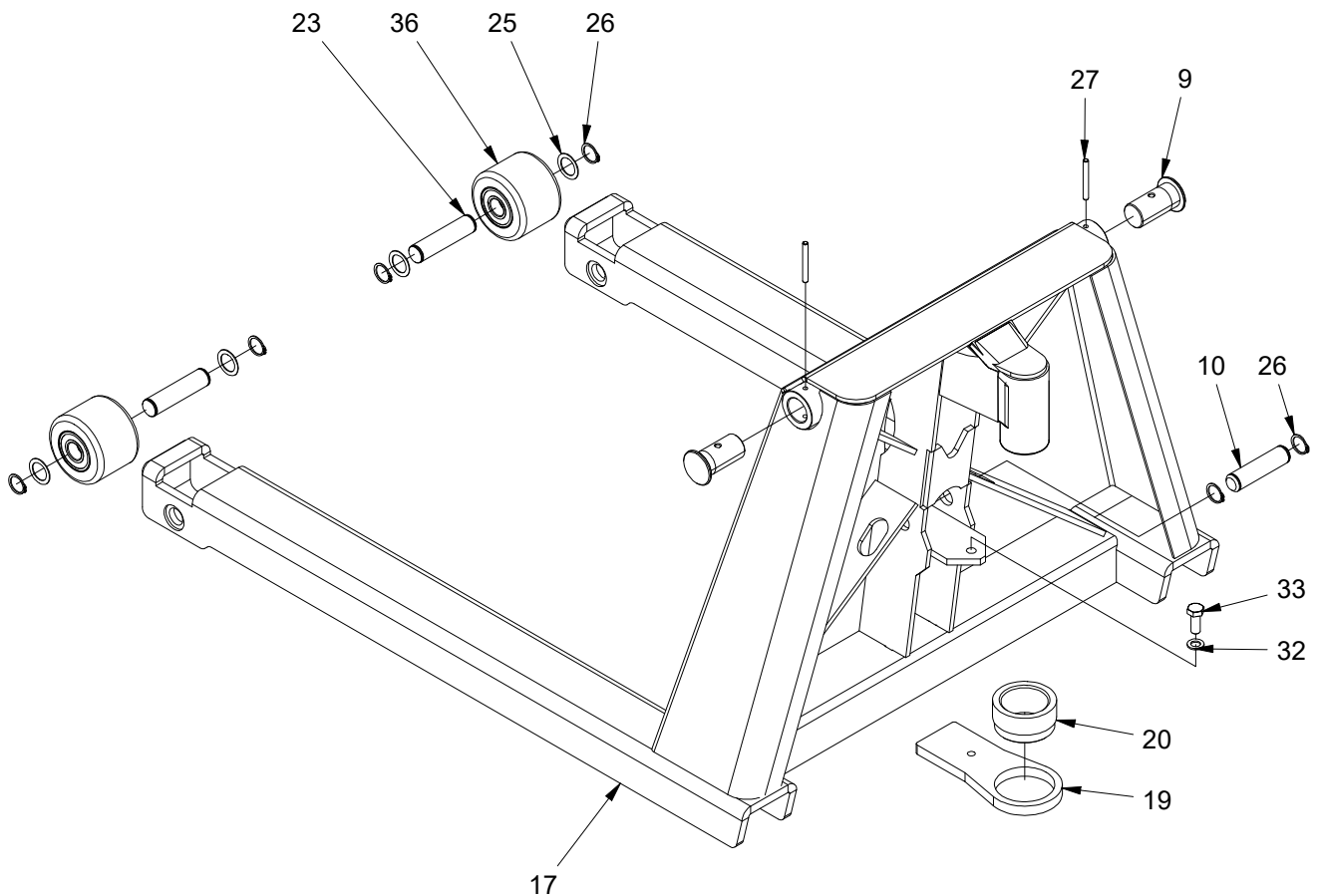
Item	Part no.	Qty	Description	Note
6	446070	1	Fork axle	
8	446080	2	Bearing bush	
11	446073	1	Assembly axle piston rod	
14	446030R	1	Fork right	Multiple colours
15	446030L	1	Fork left	Multiple colours
16	446050	1	Fork console	Multiple colours
18	446071	2	Locking bar	
27	931550	1	Straight Pin	
28	911820	6	Screw	
29	933160	2	Locking ring	
34	948306	4	Bearingbush	
25	929230	4	Washer	

Lift cylinder



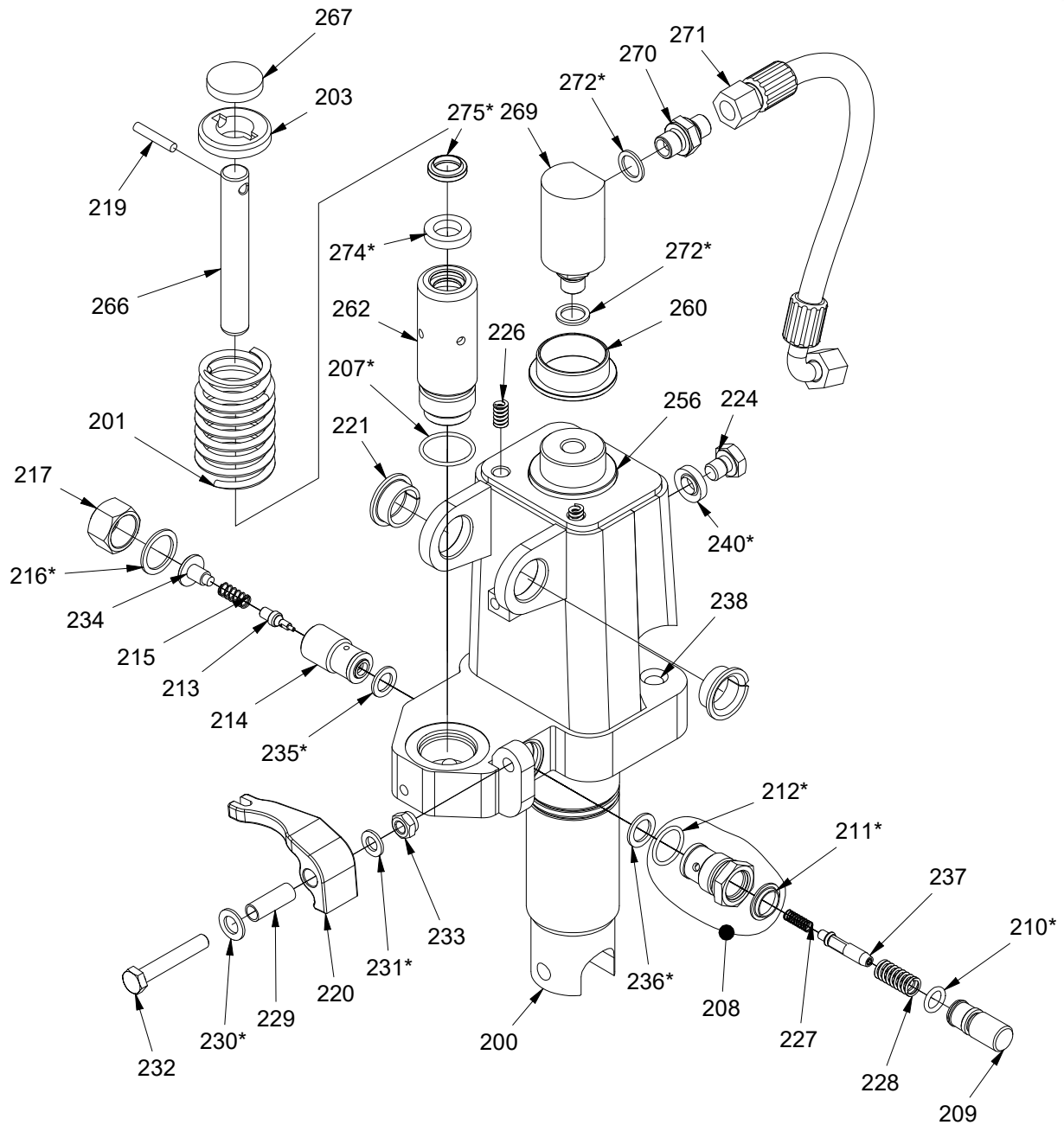
Item	Part no.	Qty	Description	Note
***	446100	1	Lift cylinder complete	Complete cylinder included all Items.
1	446103	1	Piston	
2	446101	1	Cylinder buttom	
3	446102	1	Cylinder top	
4	948231	2	Slide bushing	
5	948164	2	Bearing bush	
6*	908400	1	Scraper ring	
7*	901401	1	Sleeve	
8*	900490	1	O-ring	
9*	900410	1	O-ring	
10	446104	1	Piston stop	
11	911230	1	Screw	
14	999080	1	Flow control valve	
16	446105	1	Valve cap	
17*	905210	1	Cobber washer	
18*	915308	1	Screw	
19*	905030	1	Gasket ring	
	100051	1	Gaskets cpl.	All Items marked * incl.

Chassis



Item	Part no.	Qty	Description	Note
9	446072	2	Axle	
10	445221	1	Axle	
17	446000	1	Chassis	Multiple colours
19	446078	1	Pump mount	
20	446081	1	Bearing bush	
23	402846	2	Wheel axle	
25	929230	4	Washer	
26	933200	6	Locking ring	
27	931550	2	Straight Pin	
32	924101	1	Washer	
33	915125	1	Screw	
36	402504L	2	Fork wheel Ø80 Polyeruthane	Bearings included
	402503L	2	Fork wheel Ø80 Vulkullan	
	402502L	2	Fork wheel Ø80 Nylon	

Pump



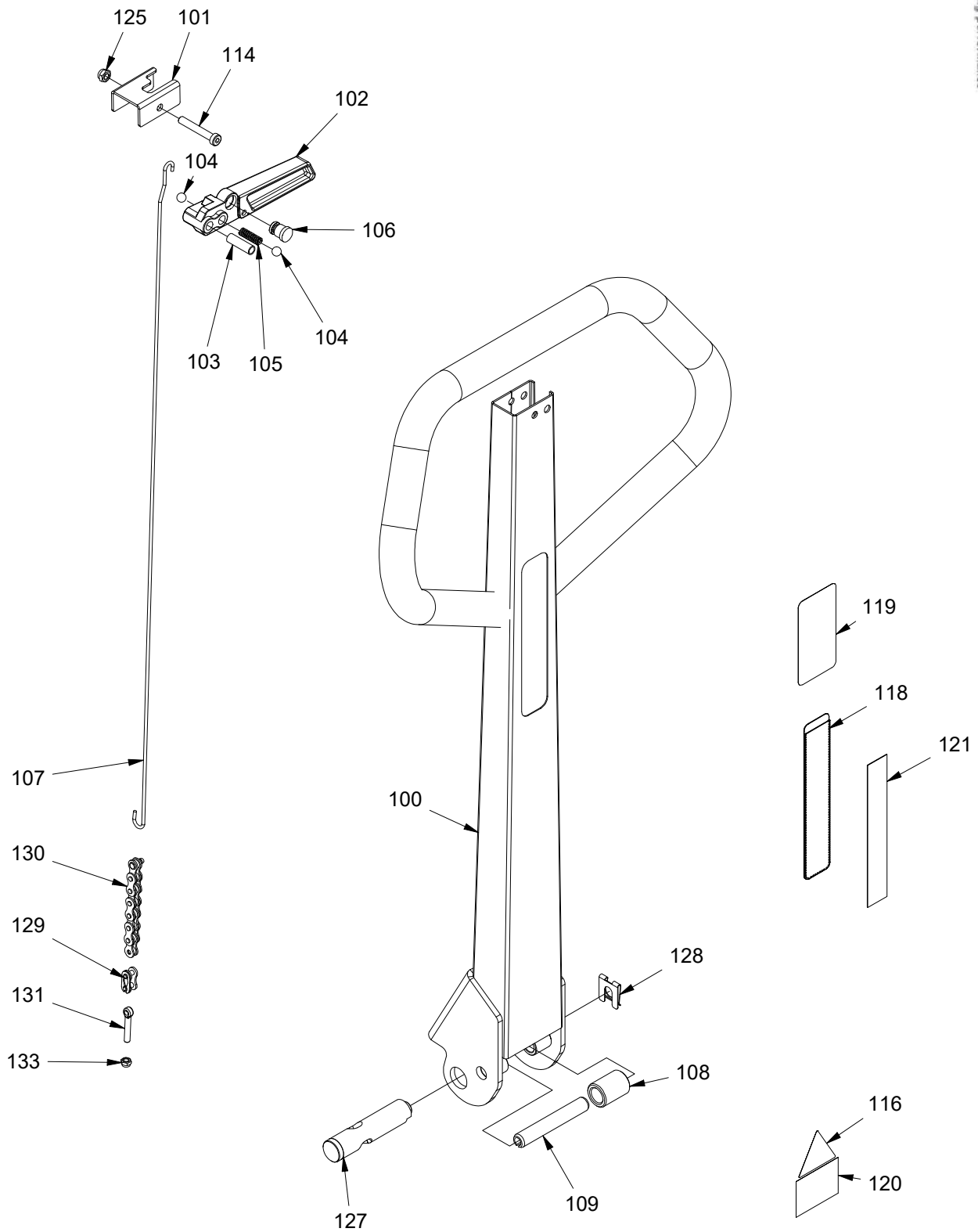
Pump

Item	Part no.	Qty	Description	Note
***	101066	1	Pump complete	All items included
***	101067	1	Pump complete with handle	All items included mounted with complete handle
200	415370	1	Pump housing	
201	958430	1	Spring	
203	415284	1	Spring washer	
207*	900262	1	O-ring	
208	404444C	1	Valve housing complete	Item 211-212 included
209	415011	1	Release indicator	
210*	900102	1	O-ring	
211*	908150	1	Scraper ring	
212*	900192	1	O-ring	
213	415016-1	1	Release cone	
214	404445	1	Valve housing	
215	958072	1	Spring	
216*	905205	1	Copper washer	
217	415380	1	Valve cap nut	
219	400171	1	Steel pin	
220	415371	1	Release arm f/pump	
221	404062	2	Bushing	
224	915113	1	Screw	
226	958075	2	Compression spring	
227	958058	1	Spring	
228	958130	1	Spring	
229	415008	1	Spacer pipe release	
230*	924101	1	Washer	
231*	924080	1	Washer	
232	915850	1	Steel bolt	
233	921080	1	Lock nut	
234	415385	1	Guide for spring	
235*	415395	1	Copper washer	

Pump

Item	Part no.	Qty	Description	Note
237	100013-7	1	Safety valve	
238	990010	1	Magnet	
240*	905101	1	Plug gasket	
256	446201	1	Fixed piston	
260	446079	1	Bearing bush	
262	446202	1	Cylinder	
266	446203	1	Piston	
267	446204	1	Piston backplate	
269	999050	1	Nipple	
270	973116	1	Nipple	
271	446110	1	Hydraulic hose	
272*	905143	2	Copper washer	
274*	901151	1	U-sleeve	
275*	908151	1	Wiper seal	
	100052	1	Gaskets cpl.Pump RL500	All Items marked * incl.

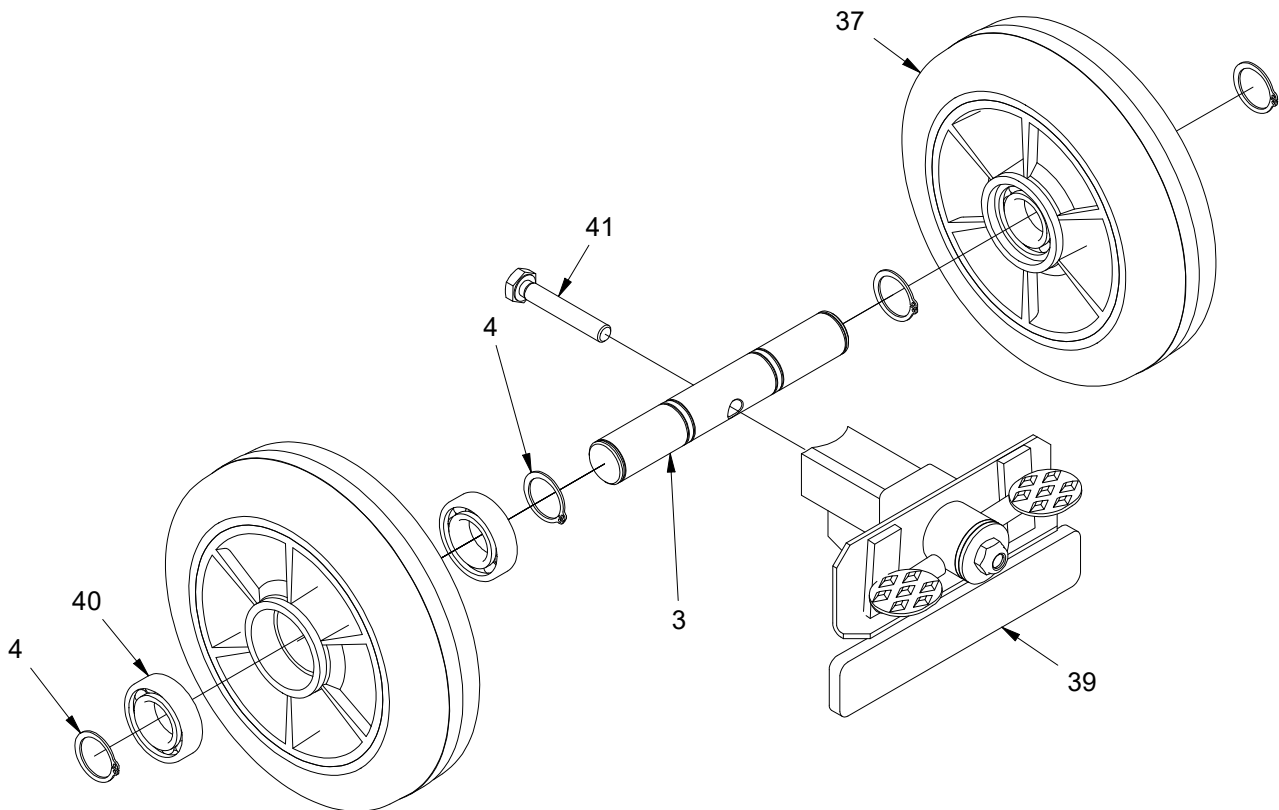
Handle



Handle

Item	Part no.	Qty	Description	Note
***	415391R	1	Handle complete	All items included
100	415087	1	Handle	
101	404461	1	Top for handle	
102	425515	1	Release lever	
103	415311	1	Bushing for release handle	
104	941008	2	Ball	
105	958122	1	Spring	
106	425512	1	Pin	
107	415392	1	Release rod	
108	415083	1	Roll f/handle	
109	931280	1	Straight Pin	
114	912641	1	Screw	
116	991087	1	Warning triangle	
118	899106	1	Plastic pocket f/handle	
119	991130	1	Sticker	
120	991243	1	Danish Design sticker	
121	991155	1	Handle cardboard	
125	921060	1	Lock nut	
127	415386	1	Handle axle Panther	
128	939120	1	Clips f/Handle axle	
129	951001	1	Chain connector	
130	951009	1	Chain	
131	404483	1	Eyescrew	
133	921050	1	Lock nut	

Steer wheels



Item	Part no.	Qty	Description	Note
3	415024	1	Steering wheel axle	
4	933250	4	Circlip	
37	300050L	2	Steer wheel Ø200 rubber	Bearings included
	300047L	2	Steer wheel Ø200 vulkullan	
	403863L	2	Steer wheel Ø200 polyeruthane	
	300046L	2	Steer wheel Ø200 nylon	
	300051D	2	Steer wheel Ø200 steel	
39	100033-1	1	Park. brake w/ food protection	
40	946053	4	Bearing	
41	915160	1	Bolt	
25	929230	4	Washer	