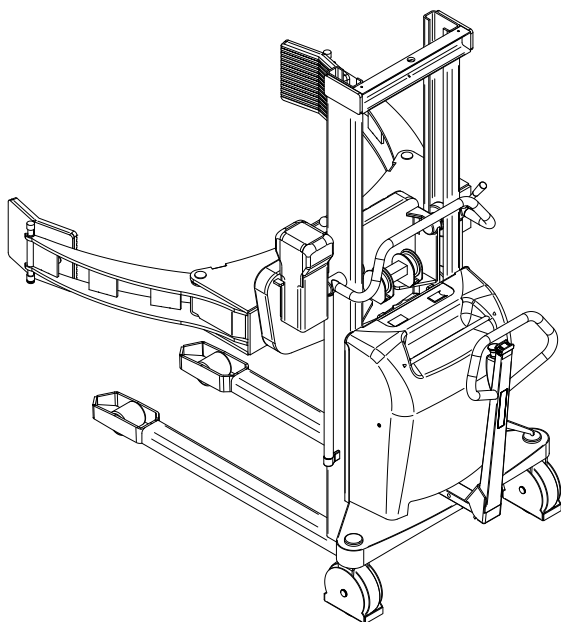
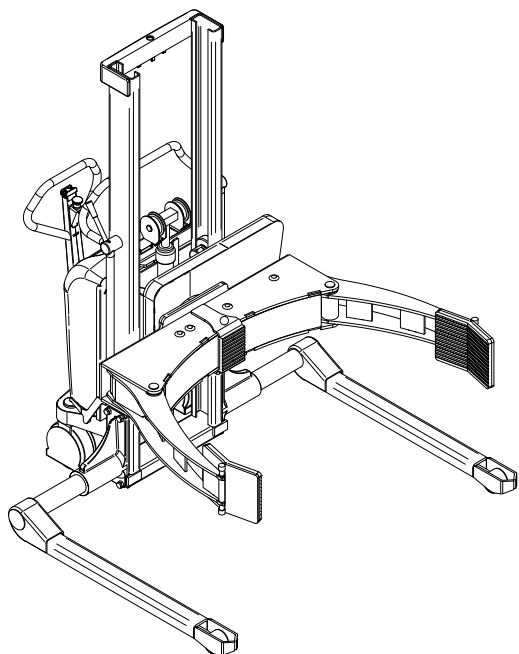


REEL ROTATOR ELFRM / ELFSRRM, ELFRRE / ELFSRRE





Contents

1.0 Before the first lift...	4
2.0 Functions and identifications	5
3.0 How to operate the Reel Rotator	7
3.1 Handling of reels	7
3.2 Use of the Reel Rotator	7
3.3 Clamping of reels	8
3.4 Extra support	10
3.5 Manual rotation (ELFRRM/ELFSRRM)	11
3.6 Electric rotation (ELFRRE/ELFSRRE)	12
3.7 Adjusting of rotation stop (ELFRRE/ELFSRRE)	13
3.8 Setting the speed (ELFRRE/ELFSRRE)	13
3.9 Reset (ELFRRE/ELFSRRE)	13
4.0 Optimum safety	14
4.1 Rotation range	14
4.2 Safety regulations	15
4.3 Driving loaded	16
4.3 Rotation range	16
4.4 Rotation with load	16
4.5 Emergency braking and Emergency stop	16
5.0 There must be a current supply...	17
5.1 Fuses - replacement	17
5.2 Wiring connections	17
6.0 Long live Reel Rotator	18
6.1 Lubrication and hydraulic oil	18
6.2 Oil change	18
6.3 Adjustment of reel carriage	19
6.4 Adjustment of lifting chain	19
6.5 Adjustment of steering wheel chains	20
6.6 The hydraulic pump and gear motor	20
6.7 Cleaning	20
6.8 Adjustment of side play	21
7.0 Adjusting the Reel Rotator	22
7.1 Tensioning the chains	22
7.2 Adjusting the switch	23
7.3 Lubrication	23
8.0 Fault location key	24
9.0 Good service after purchase	26
9.1 Ordering spare parts	26
9.2 Warranty/Compensation	26
9.3 Service and repair	26
9.4 Warranty	26
9.5 Liability exemption	26



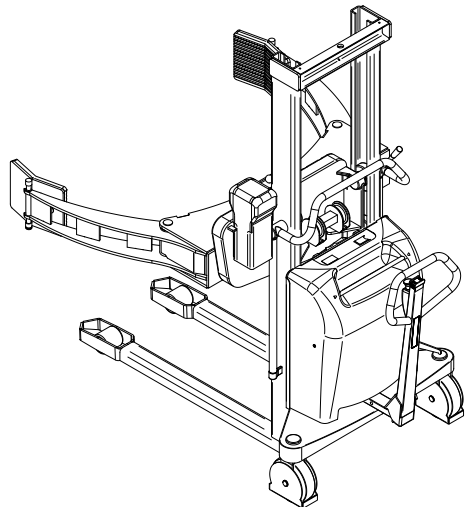
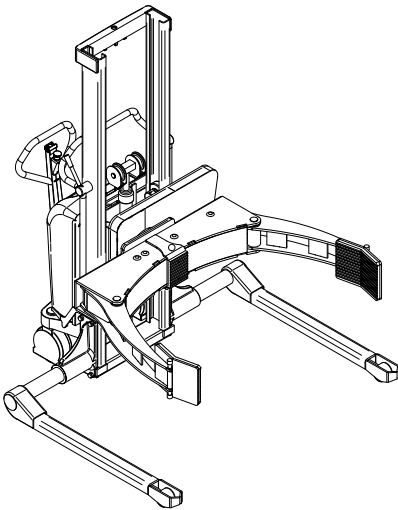
1.0 Before the first lift...

The Reel Rotator is manufactured in accordance with safety directives.

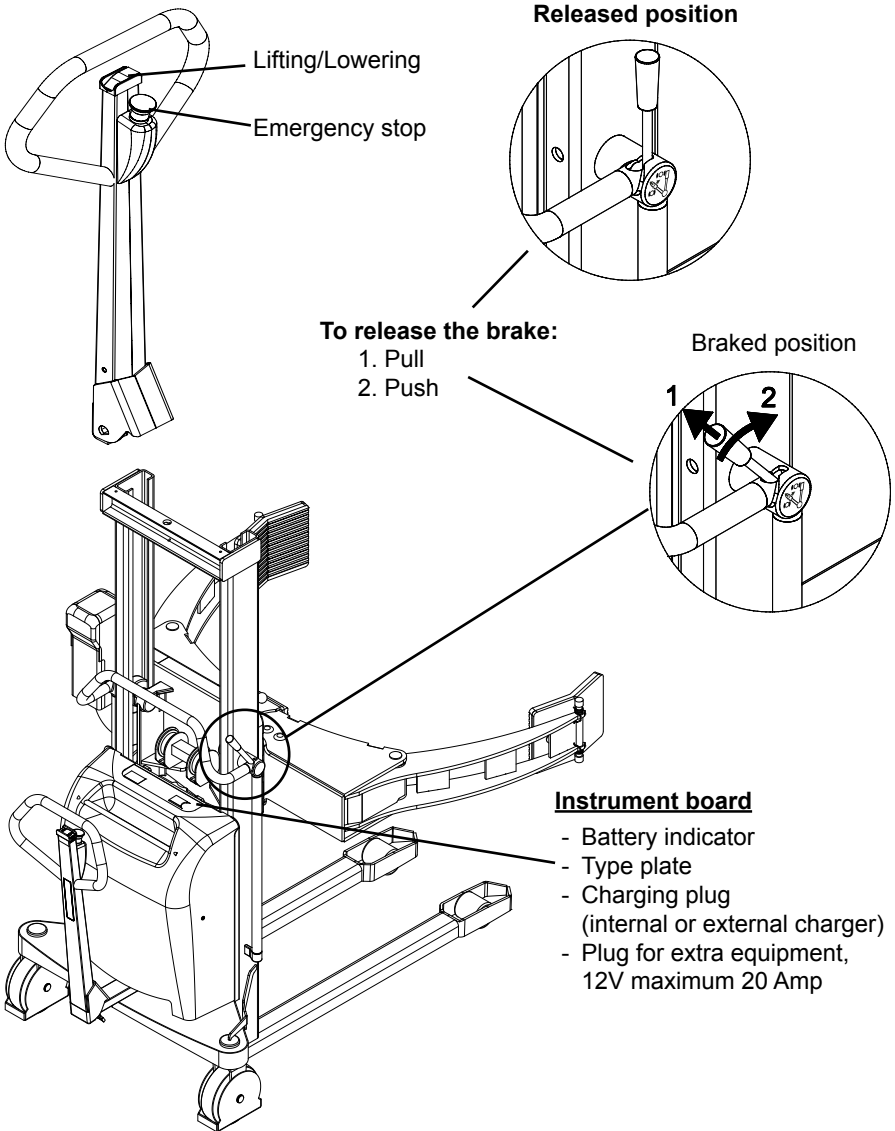
Among the subjects dealt with in this **Instruction Manual** are:

- *Proper application*
- *Physical limitations of the product*
- *Risks with improper use*

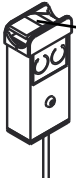
- Therefore please read this Instruction Manual carefully!



2.0 Functions and identifications



2.0 Functions and indentifications

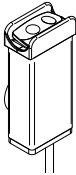


Clockwise/
counter-
clockwise

Remote control for rotation (ELFRRE/ELFSRRE)

The remote control is used when:

- Rotating the reel carriage
- Setting tilt stop in both directions: See paragraph 3.7.
- Setting rotation speed: See paragraph 3.8.



Remote control for clamping (all models)

The remote control is used when:

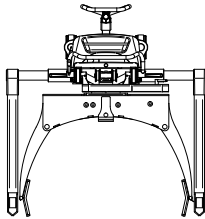
- Clamping/fastening
- Opening/releasing



3.0 How to operate Reel Rotator

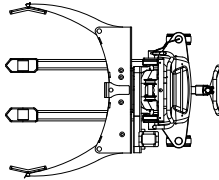
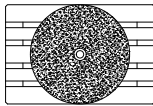
3.1 Handling of reels

ELFSRRM & ELFSRRE



Handling of reels on closed pallets

- Use the Reel Rotator with straddle legs!



ELFRRM & ELFRRE

3.2 Use of the Reel Rotator (ELFRRE/ELFSRRE)

Conditions for rotation: Center of the gripping arms is lifted at least:

ELFRRE: 825 mm

ELFSRRE: 750 mm

ELFRRE/ELFSRRE: The load can be rotated 355° with one adjustable stop in every side.

Note: The rotation stops automatically, when the gripping arms are placed horizontally/in position 0°.

To continue the rotation function from 0°, the rotation switch has to be released and activated again in the requested rotation direction.

To lower the reel carriage fully, the reel carriage has to be placed in position 0°.

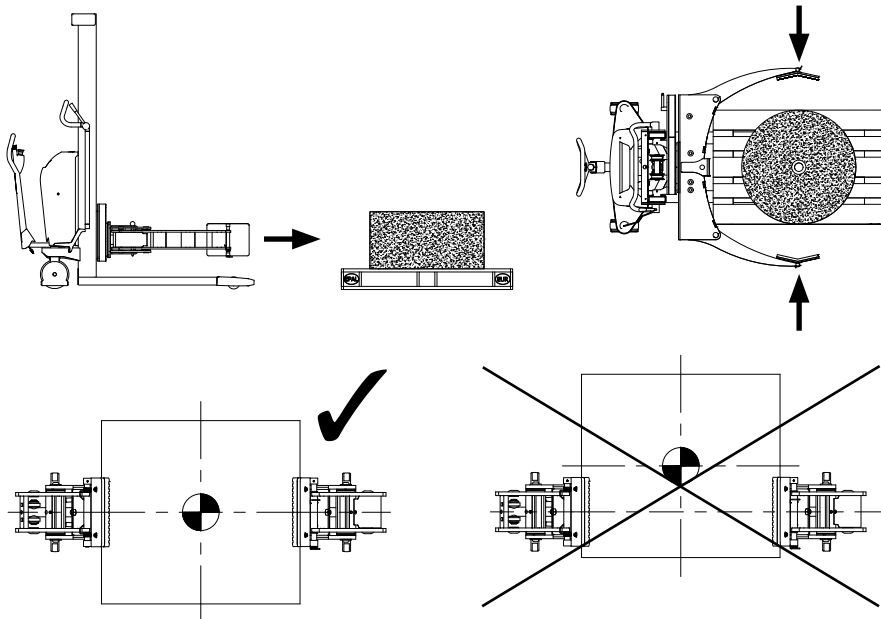
Soft acceleration / deceleration

The Reel Rotator has soft acceleration / deceleration with the following benefits:

- The reel rotation stops precisely.
- The gear is protected, because sudden start / stop are minimised.

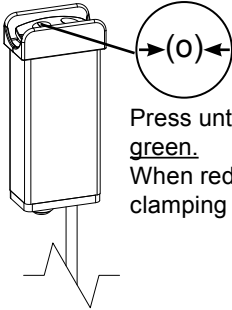
3.0 How to operate the Reel Rotator

3.3 Clamping of reels

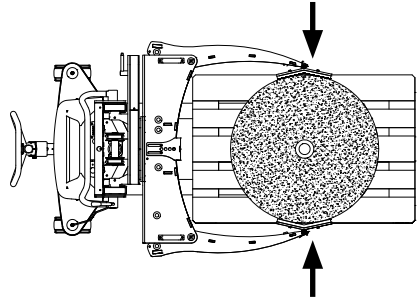


3.0 How to operate the Reel Rotator

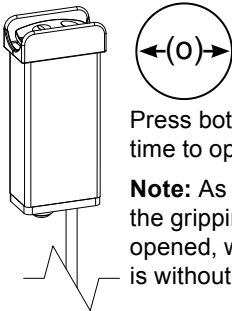
Clamping:



Press until the lamp lightens green.
When red lamp lightens, the clamping force is not sufficient.

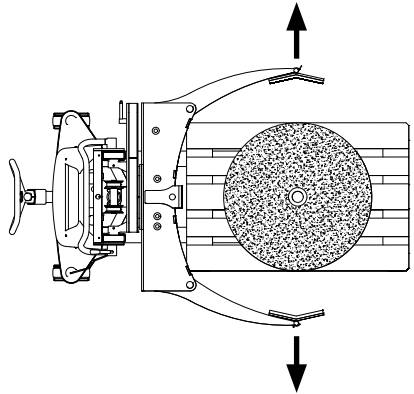


Releasing:



Press both buttons at the same time to open the gripping arms.

Note: As a safety precaution, the gripping arms can only be opened, when the lifting system is without pressure.

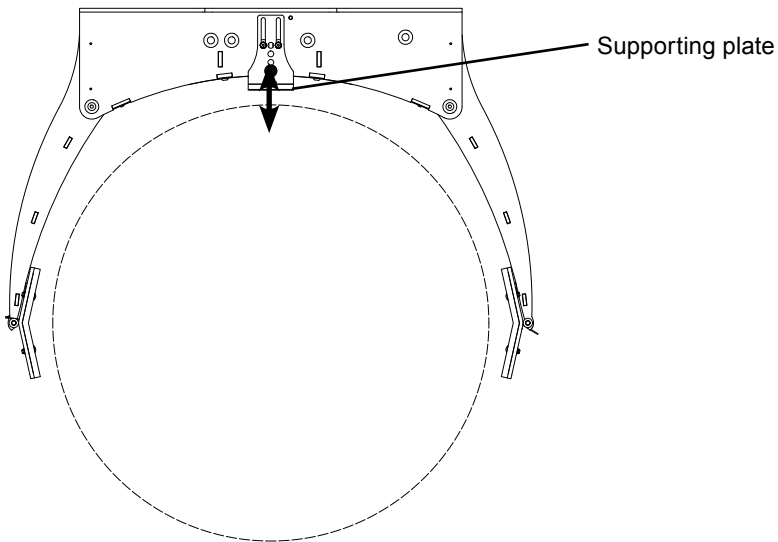


3.0 How to operate the Reel Rotator

3.4 Extra support

For reels from Ø800mm to Ø1270mm it is possible to use three-points clamping.

By adjusting the shown supporting plate, so that it supports the reel, it can be prevented that the reel moves between the two plates that primarily fasten the reel. The supporting plate can also be set as stop for a certain reel diameter.



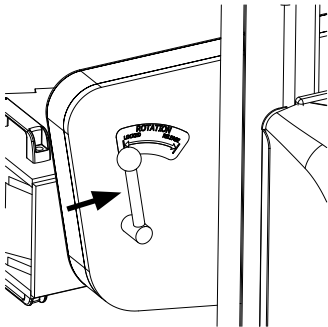
3.0 How to operate the Reel Rotator

3.5 Manual rotation (ELFRRM/ELFSRRM)

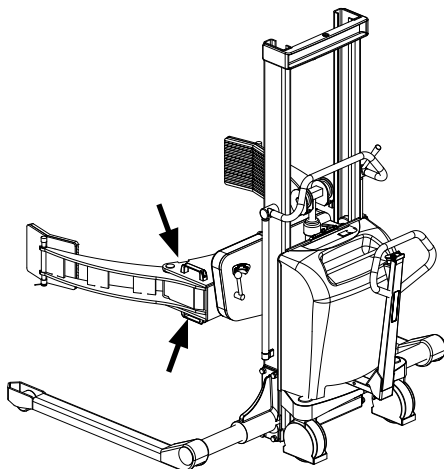


ATTENTION

Check that the load is placed in the load center before rotating.



Press the handle to position "Release"



The reel carriage can now be rotated by the gripping handle.

Note: The reel carriage can be locked for each 90°.

Conditions for rotation: Center of the gripping arms is lifted at least:

ELFRRM: 825 mm

ELFSRRM: 750 mm

3.0 How to operate the Reel Rotator

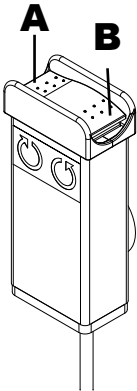
3.6 Electric rotation (ELFRRE/ELFSRRE)



ATTENTION

Check that the load is placed in the load center before rotating.

Use the remote control for the rotation:



Press “A” to rotate clockwise (seen from position behind the handle).

Press “B” to rotate counterclockwise (seen from position behind the handle).

From the factory the rotation is preset to stop 90° to each side. The load can as maximum be rotated 355° with one adjustable stop in every side.

Note: The load has to be placed in position 0°, before the load can be lowered fully.

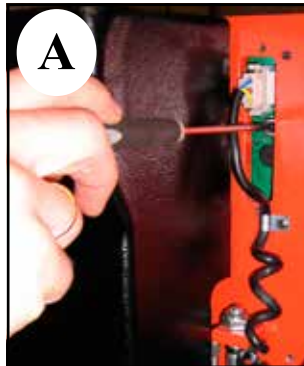
3.0 How to operate the Reel Rotator

3.7 Adjusting of rotation stop (ELFRRE/ELFSRRE)

The reel carriage is factory-set to stop in 90°. If another setting is required, it can be set electronically to stop in different angles.

- 1) The reel carriage is placed in position 0°.
- 2) Short pressure on the switch A activates the setting procedure. The controller gives a signal (one beep).
- 3) The reel carriage is placed in the requested angle.
- 4) When the reel carriage has reached the requested angle, the controller will give signal after three seconds (one beep), when the position has been stored.

The procedure is repeated to set the stop in the other side.



3.8 Setting the speed (ELFRRE/ELFSRRE)

- 1) The reel carriage is placed in position 0°.
- 2) The switch (A) is pressed three seconds, and two short beeps will be given. The switch is released and the speed is set by activating the remote control.

Clockwise: Increasing the speed

Counter-clockwise: Reducing the speed

Note: Maximum rotation speed (0-355°): 30 sec.

- 3) 3 seconds after releasing the switch on the remote control, the controller will give signal (two beeps), indicating that the requested speed has been stored.



Plug from remote control

Switch A

Signal

3.9 Reset the settings (ELFRRE/ELFSRRE)

- 1) The reel carriage is placed in position 0°.
- 2) Press switch (A), until five beeps are given. The switch is released and the controller is set to maximum speed and stops at 45°.



4.0 Optimum safety

4.3 Rotation range

Standard version

The load can be rotated, when the turning point of the reel carriage is raised more than 750 mm (ELFSRRM/ELFSRRE) and more than 825 mm (ELFRRM/ELFRRE). Below this range, it is only possible to raise/lower the reel carriage in position 0°.



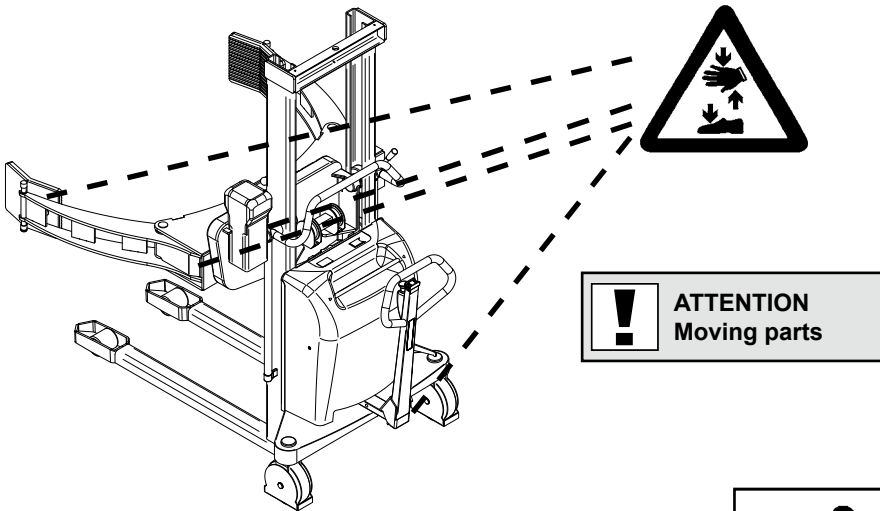
Bottom stop (ELFRRE/ELFSRRE)

Adjusted with the following turning point above the floor:

ELFSRRE: 750 mm

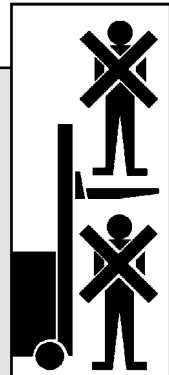
ELFRRE: 825 mm

4.0 Optimum safety



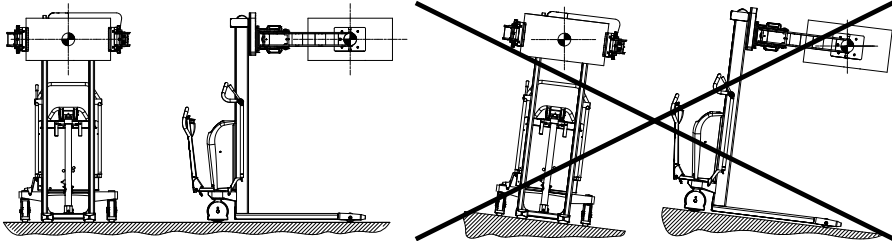
4.2 Safety regulations

- Never walk under a raised load!
- Never stand between the gripping arms!
- Before lowering the reel carriage, make certain that no foreign elements can hinder the free lowering of the reel carriage
- The Reel Rotator is designed for use on an even and level floor
- During transport the reel carriage shall be raised as little as possible
- Transport with raised reel carriage should be made over the shortest possible distances and at low speed
- Check that the chains lift equally. They shall be equally tight when the reel carriage is loaded
- Chains and chain bolts must not be damaged. Chains that have become permanently stretched (max. 2 % of original length) must be scrapped.



4.0 Optimum safety

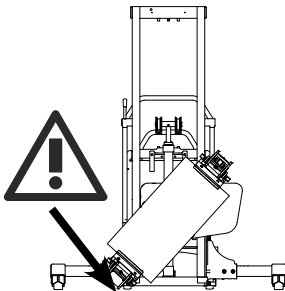
4.3 Driving loaded



The Reel Rotator is designed for use on even and level floor. During transport the reel carriage shall be raised as little as possible. Transport with raised reel carriage should be made over the shortest possible distances and at low speed.

4.4 Rotation with load

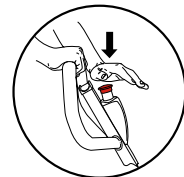
NOTE! Rotation is only allowed to take place, if the Reel Rotator is placed on an equal floor.

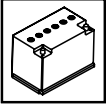


When rotating reels, the operator needs a full overview of the whole working area, so that the rotation movement can be stopped before the reel touches the floor, the items or persons in the working area.

4.5 Emergency braking and Emergency stop

The Reel Rotator has an emergency stop. When activating the emergency stop, the main current supply is switched off. The movement of the reel carriage stops immediately when activating the emergency stop.





5.0 There must be a current supply...

5.1 Fuses - replacement

There are five fuses in the electrical circuit:

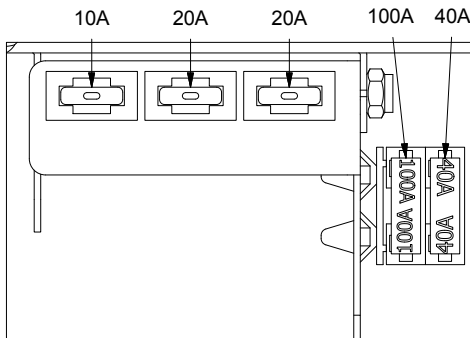
100 Amp fuse in the main supply from battery

10 Amp fuse in the control current circuit

20 Amp fuse (plug for extra equipment on the instrument board)

20 Amp fuse for built-in charger

40 Amp fuse for rotation

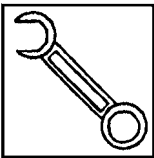


Replacement:

The old fuse is to be removed and replaced by a new one of the same size.

Find out why the fuses blow!

5.2 Wiring connections



Many operational disturbances are caused by bad connections in the electrical circuit. Make sure that the connections are in order.

Check connections regularly for damage at insulating caps or bad connections at plugs etc. Verdigris must be removed from cable plugs. Keep all screw/nut connections tight.



6.0 Long live Reel Rotator

Regular inspection and the replacement of worn or defective parts in good time will prolong the life of the Reel Rotator. "Prevention is better than repair", therefore ensure:

- That the battery is fully charged every time
- Correct usage
- Regular cleaning
- Periodic safety and service inspection
- For safety reasons please check the below every 3 month:
 - Tighten loose screw and nuts
 - Check that there are no cracks, fractures and deformations in the bearing construction
 - Wearing parts, such as brakes, wheels and bearings, are adjusted and exchanged continuously



6.1 Lubrication and hydraulic oil

Under normal operation conditions the Reel Rotator requires no lubrication. All ball bearings are sealed and lubricated for life, and moving parts have self-lubricating bearings or are treated with grease.

The hydraulic system is filled with hydraulic oil of viscosity class ISO VG 15. An additive is added to the oil. The concentrate reduces friction and wear and protects against corrosion. Pre-mixed hydraulic oil with additive is available from the dealer. The oil is suitable for use in the temperature range -10 to +50° C. A thinner oil is recommended for temperatures lower than -10° C (if necessary, contact your dealer).

6.2 Oil change

Draining the oil:

1. Bring the unloaded reel carriage down to the lowest position.
2. Most of the oil can be drained by loosening the hydraulic hose union and briefly activating the hydraulic pump with the switch.
3. The remaining oil can be drained from the oil tank by removing the tank.

Oil filling:

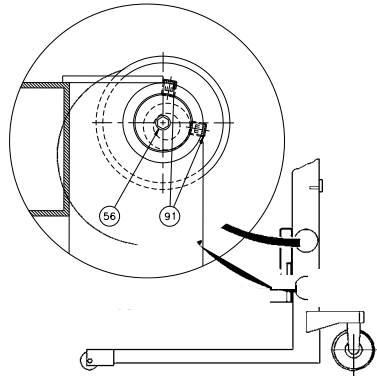
4. Fill oil through the filling hole on the tank.
5. Oil quantity: ELFRRM 1750 & ELFSRRM 1750 approx 3 liter
 ELFRRE 1750 & ELFSRRE 1750 approx 3 liter
6. Refit the filling cap and bleed the system (6.6).

6.0 Longe live Reel Rotator

6.3 Reel carriage adjustment

Two of the rollers on the reel carriage are mounted on eccentric pins, so that they can be adjusted. The adjustable rollers are at the top.

1. Loosen screw (pos. 91) (key width 5 mm).
2. Eccentric pins (pos. 56) (key width 8 mm) can now be turned to give the necessary reel carriage adjustment.
3. Adjustment must be made on both sides to ensure uniform loading of the rollers.

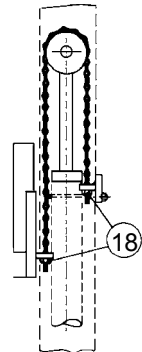


6.4 Adjustment of lifting chain

The chains shall be adjusted so that

- they lift equally
- they are equally tight
- The lifting movement has to stop in the cylinder, before the mast rolls touch the top stop.

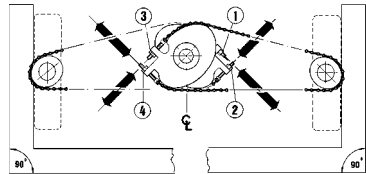
The nuts (pos. 18) are to be adjusted (nut M12, key width 19 mm).



6.0 Longe live Reel Rotator

6.5 Adjustment of steering wheel chains

- Set the handle in its middle position.
- Adjust the nuts (1, 2, 3 and 4) and bring the wheels into parallel.



6.6 The hydraulic pump and the gear motor

The hydraulic pump has a S3 “periodic intermittent duty” of 10%. This means that the pump in total is allowed to operate 1 minute for a period of 10 minutes.

Note! If the pump operates more than 10%, the motor will be damaged due to superheating.

Bleeding the hydraulic system

With a load of 50-100 kg, the reel carriage must be raised and lowered to top and bottom position 2-3 times.

Gear motor of the Reel Rotator

The gear motor has a “short time under constant load” of 10 minutes (S2=10 minutes). This means that the motor is allowed to operate with the maximum load for 10 minutes. Hereafter it has to be cooled down to normal temperature.

Note! The motor will be damaged by superheating, if it operates for a longer time or if it is not cooled down.



6.7 Cleaning

When cleaning the Reel Rotator, do not direct the jet onto bearings and seals. Otherwise the grease will be washed out and the life of the equipment shortened.

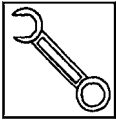
Cleaning of the plastic screen (polycarbonate)

The screen is to be washed with slightly warm water added a neutral cleaning material, and afterwards washed with clean water. Use a soft sponge, a woollen cloth or a wash leather.



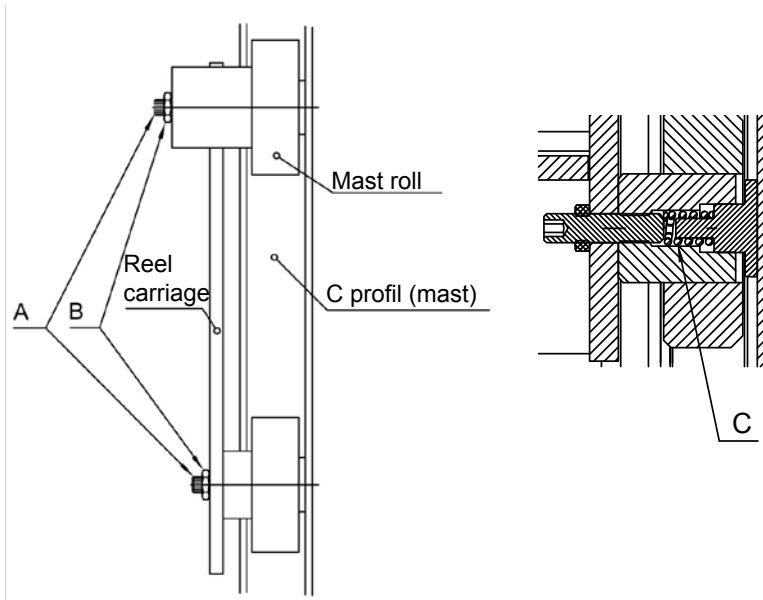
Never use sharp objects or solvent cleaners when cleaning.

6.0 Longe live Reel Rotator



6.8 Adjustment of side play

1. Loosen counter nut B. Screw (A) is loosened counter-clockwise, until resistance disappears.
2. Turn the screw clockwise, until resistance appears. The following 1.5 to 2.5 turns of the screw will be a tightening of the spring (C).
3. When a larger resistance appears, make 0.25 turn counter-clockwise, and the counter nut (B) will be tightened.
4. Pump the reel carriage to its top position, and when lowering it has to slide to the bottom. If this is not the case, loosen screw A, make c. 0.5 turn counter-clockwise and repeat point 4.



7.0 Adjusting the Reel Rotator

7.1 Tensioning the chains (only ELFRRE & ELFSRRE)

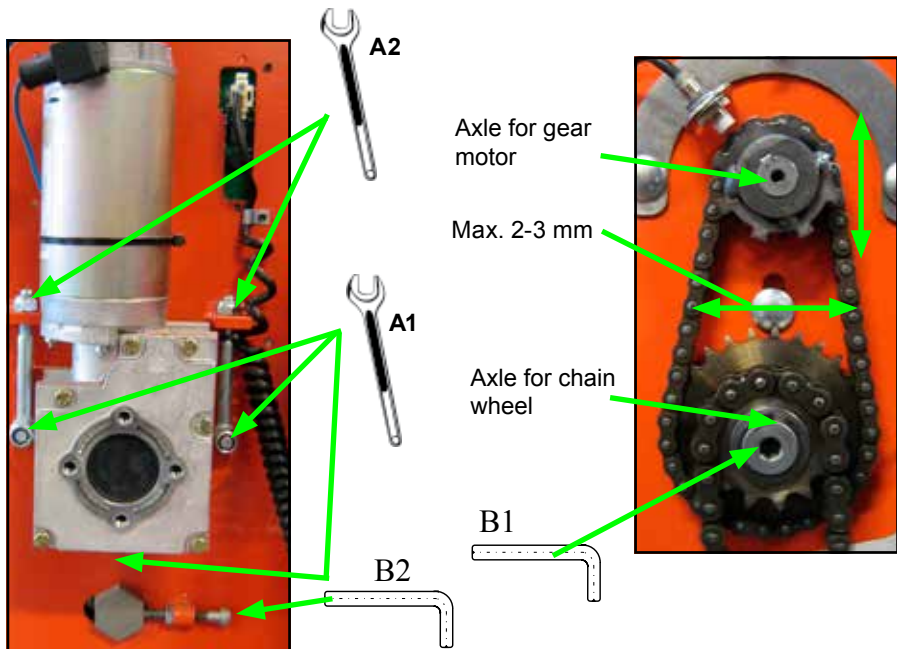
When the unloaded reel carriage can be tilted manually approx. 2 cm, measured at the rear carriage, the chains should be tensioned.

This is done by:

- 1) Removing the cover from the reel carriage.
- 2) Loosening the gear motor (A1)
- 3) Loosening chain wheel (B1)
- 4) Turning the nut (B2), so that the large chain is tensioned, until the slack is about 5 mm.
- 5) Tightening the chain wheel (B1)
- 6) Tightening the nuts for the gear motor (A2), so that the chain is tensioned, until the slack is about 2-3 mm. Tighten the nuts (A1) again.
- 7) Replace the cover.

NOTE!

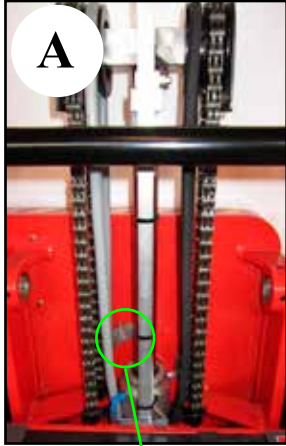
Check the location of the inductive switch (see 7.2) and check that the large chain is tightened correctly in the whole rotation area after adjusting the chains.



7.0 Justering af Rotator

7.2 Adjusting the switch (ELFRRE/ELFSRRE)

The location of the reel carriage is decided by two inductive switches.



A

A) Inductive switch on thrust ring indicates when the reel carriage is in position 0°.

When the reel carriage is in position 0°, the inductive switch has to be placed right above the indication pin on the thrust ring in a distance of 2-4 mm.

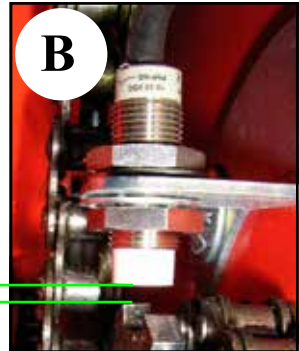
B) Inductive switch on the teeth of the little toothed wheel. The number of the impulses indicates the angle of the reel carriage.

The distance from the inductive switch to the tooth has to be 2-4 mm.



Inductive
switch

2-4 mm



B

7.3 Lubrication

Support bolts

To support the thrust ring, two support bolts are placed behind the ring.

The bolts must only just touch the ring, and the back of the ring has to be lubricated with grease, so that the bolts slide smoothly.

Chains

The chains of the Reel Rotator have to be lubricated at the yearly service check.





8.0 Fault location key

When the Reel Rotator is used every day, adjustments and the replacement of worn parts might be necessary.

Adjustments and minor repair can easily be made on the spot. Major repairs should, however, be carried through by the dealer who has a well-trained staff and the necessary special tools.



**Before asking the dealer for assistance...
...try the fault location key!**

SYMPTOMS AND OBSERVATIONS

- A** Pump does not run when the UP button is pressed _____
- B** Truck does not lift when the UP button is pressed _____
- C** Truck does not lift to max. height _____
- D** The reel carriage lowers after being raised _____
- E** The reel carriage does not lower when DOWN button is pressed _____
- F** The reel carriage cannot be lowered fully _____
- G** Truck is unable to lift the max. load _____
- H** Truck lifts slowly _____
- I** The reel carriage does not lift horizontally _____
- J** Steering wheel does not drive evenly _____

Cause

Mending

	Oil deficiency	See point 6.1/6.2
	Battery discharged	See separate instruction
	Fuse blown 10 Amp or 100 Amp	See point 5.1
	Cables defective	See point 5.2
	Max. load exceeded	See point 4.1
	Air in hydraulic system	See point 6.6
	Pressure relief valve incorrectly adjusted	Contact the dealer
	Leakage in hydraulic system Visible oil leakage	Contact the dealer
	Reel carriage needs adjustment	See point 6.3/6.4/6.8
	Solenoid or check valve defective	Contact the dealer
	Defective valves in pump	Contact the dealer
	Steering wheel out of adjustment	See point 6.5
	Defective solenoid valve	Contact the dealer
A		
B		
C		
D		
E		
F		
G		
H		
I		
J		

If the problem cannot be solved by using the fault location key...

...please contact your dealer!





9.0 Good service after purchase

9.1 Ordering spare parts

The correct spare parts are obtainable from your dealer.

When ordering, please state:

- Serial number of the product
- Type and width/length of the product
- Spare part no. Please find spare part no. on **www.logitrans.com**

9.2 Warranty/Compensation

Spare parts delivered during the warranty period will be invoiced. A credit note will be sent immediately after we have received and tested the defective parts and found that the warranty conditions have been met.

9.3 Service and repair

You should be able to make adjustments and perform minor repairs on the spot. However, major repairs should be left to the dealer who has well-trained personnel and the necessary special tools.

9.4 Warranty

The warranty covers material and assembly defects which, subject to inspection by us or our representative, are deemed to be faults or deficiencies that prevent normal use of the parts concerned. Such affected parts shall be sent to your Logitrans dealer carriage paid within the warranty period in force at the time in question, together with a copy of the documentation for the service performed (B284 - see the back page). The warranty does not cover normal wear and adjustments. The warranty period is based on singleshift working.

The warranty shall no longer apply if

- the product has been used incorrectly,
- the product is used in environments for which it was not designed,
- the product has been overloaded,
- replacements of parts have been made incorrectly or original parts have not been used and consequential damages have arisen,
- if the product is changed or accessories, not being approved by Logitrans, are used.
- it can not be proved that a qualified technician has performed the service check according to the requirements stated in the instruction manual (see the back page).

9.5 Liability exemption

The manufacturer accepts no responsibility for personal injury or material damage arising from deficiencies, defects or improper usage. The manufacturer accepts no responsibility for lost earnings, operating losses, lost time, lost profits or similar indirect losses incurred by the purchaser or a third party.

Periodic service and safety inspection

Service check is required once each year.

Safety inspection should be performed by the dealer or other qualified persons at least once each year, unless local regulations state otherwise.

The safety inspection to be performed on the basis of form no. B0342 and proved on form no. B284. Forms and instructions for the safety inspection are available at your dealer.

S 995

ELRR-L-EN

16022016