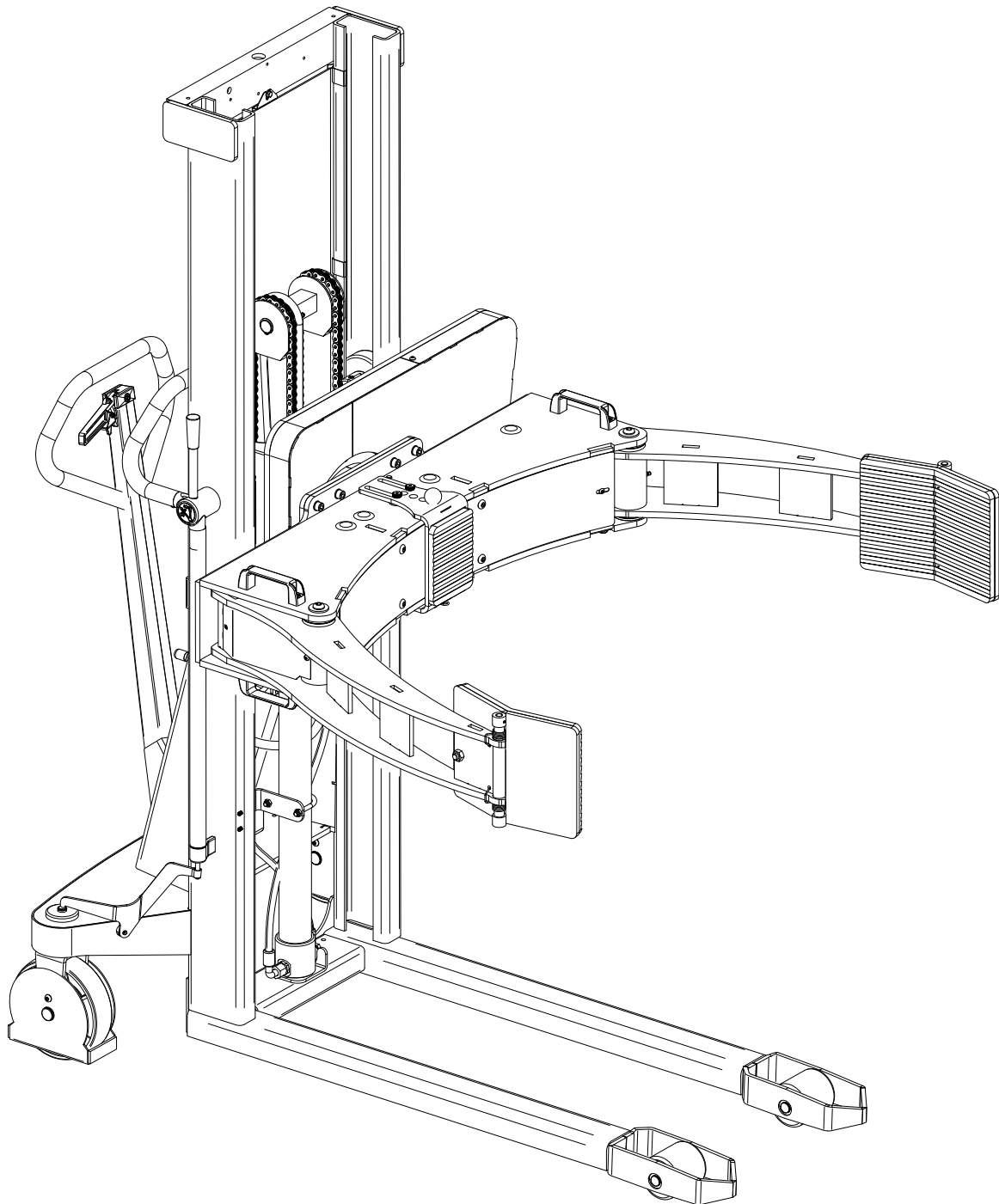
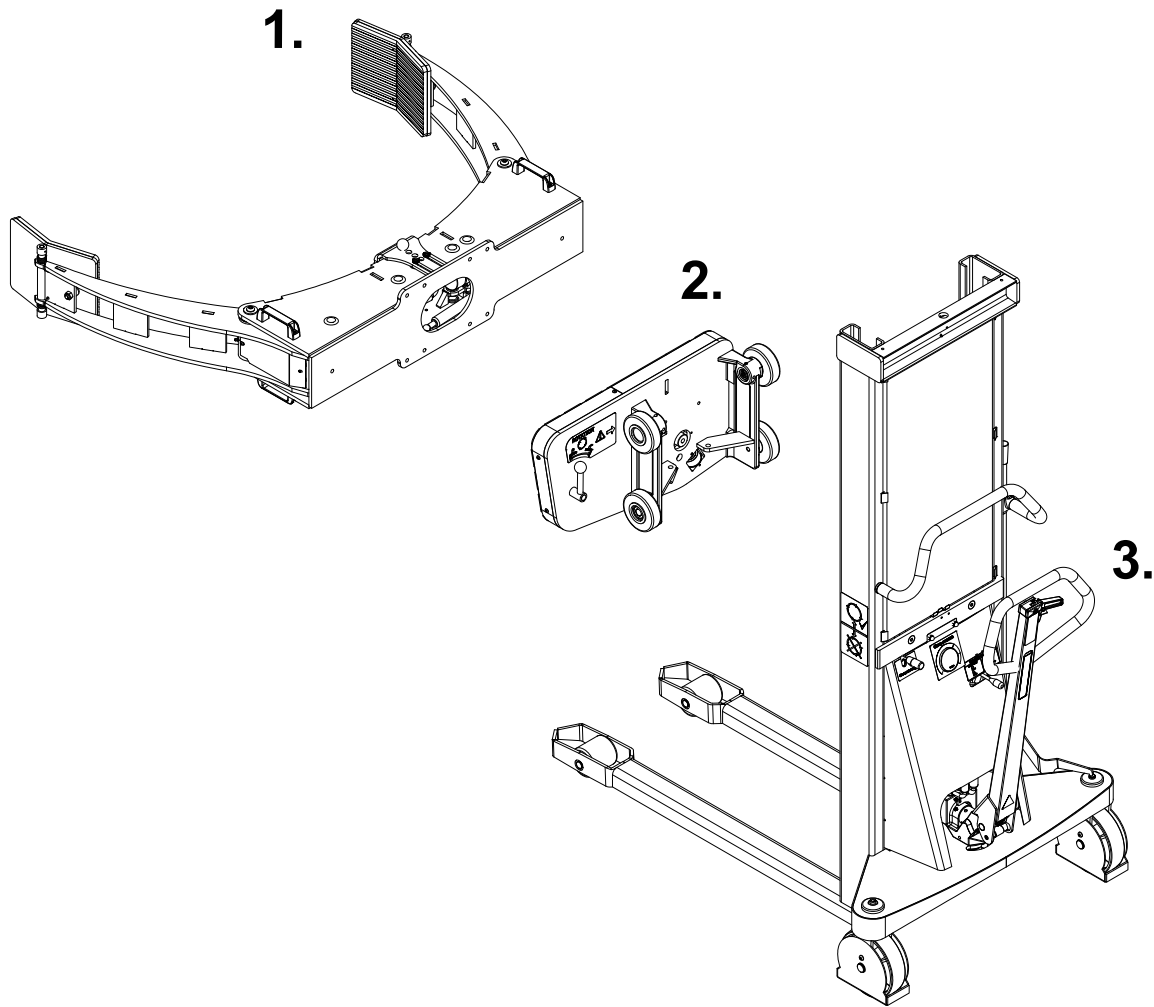


LFRRM / LFSRRM

Spare parts

-Addition to LF/LFS Spare parts list





Index

1.Reel clamp.....	3
2.Rotator console.....	6
3.Parts on truck.....	8

The correct spare parts are obtainable from your dealer.
When ordering, please state:

- Serial number of the product
- Model number
- Spare part number

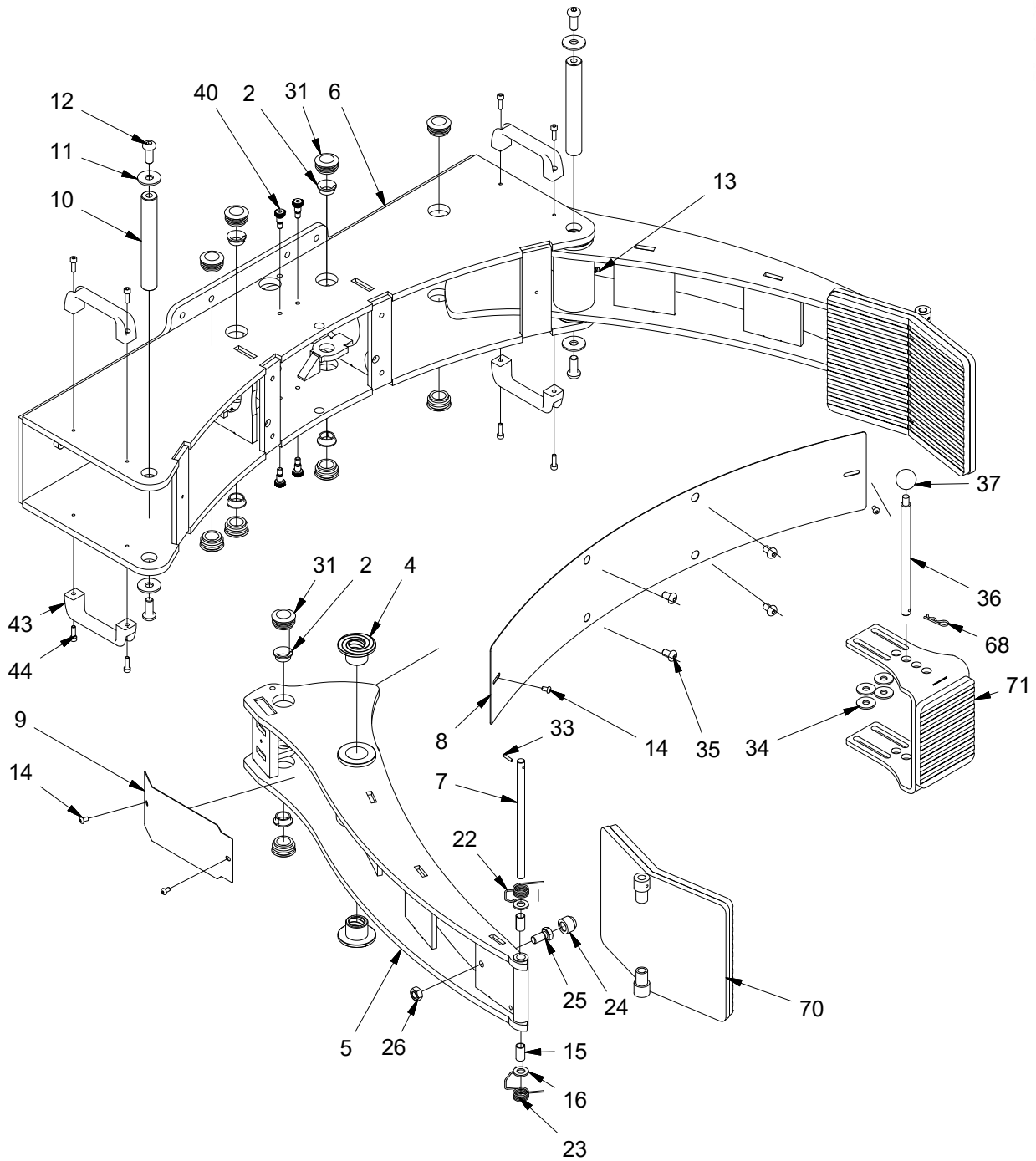
Always read the comments of a the lists
as it may be necessary to have to consider different
Part Numbers in relation to the vehicle's serial number.

When ordering spare parts marked with "Multiple colours",
please state one of the following colour codes:

- 1: RAL 2002 (Logitrans red)
- 2: RAL 1028 (yellow)
- 3: An other RAL colour
- 6: black

Ex. 425050-1 => 425050-1-1

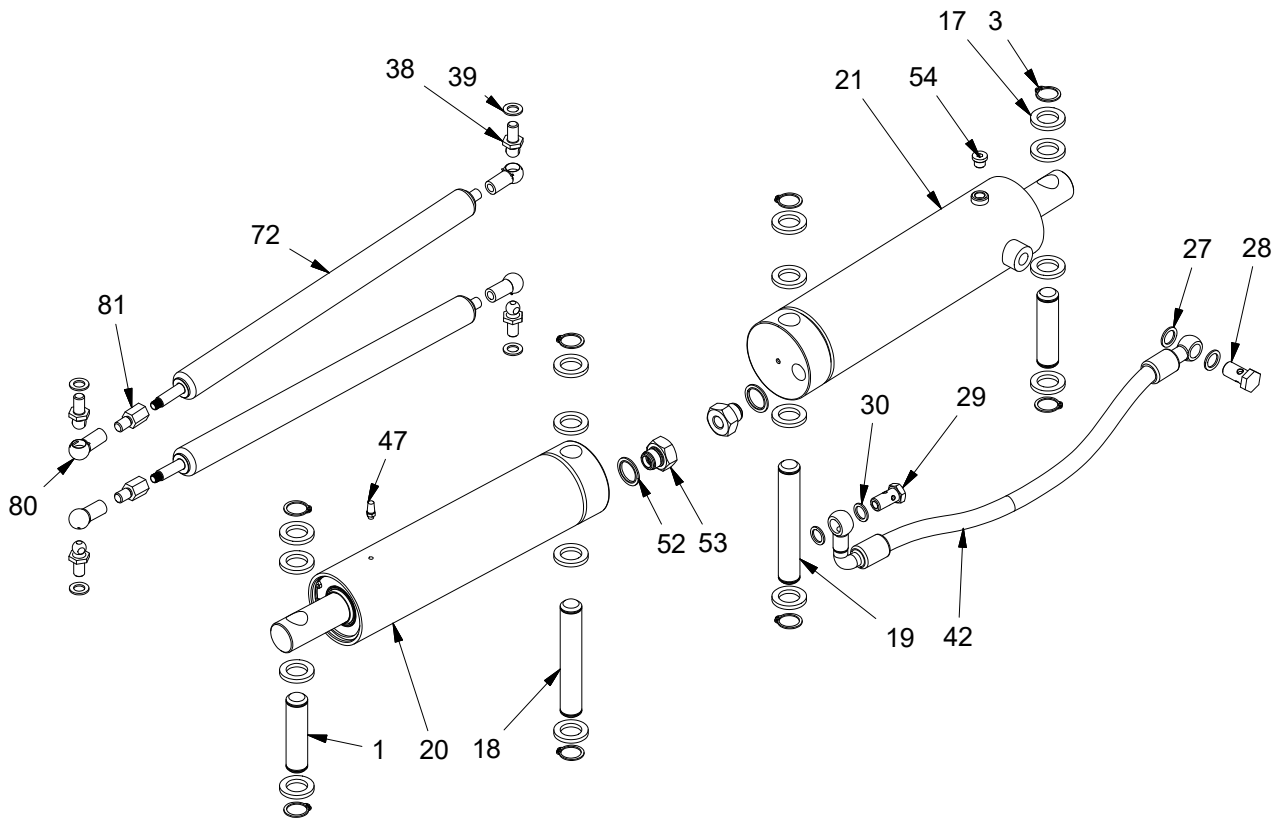
Reel clamp



Reel clamp

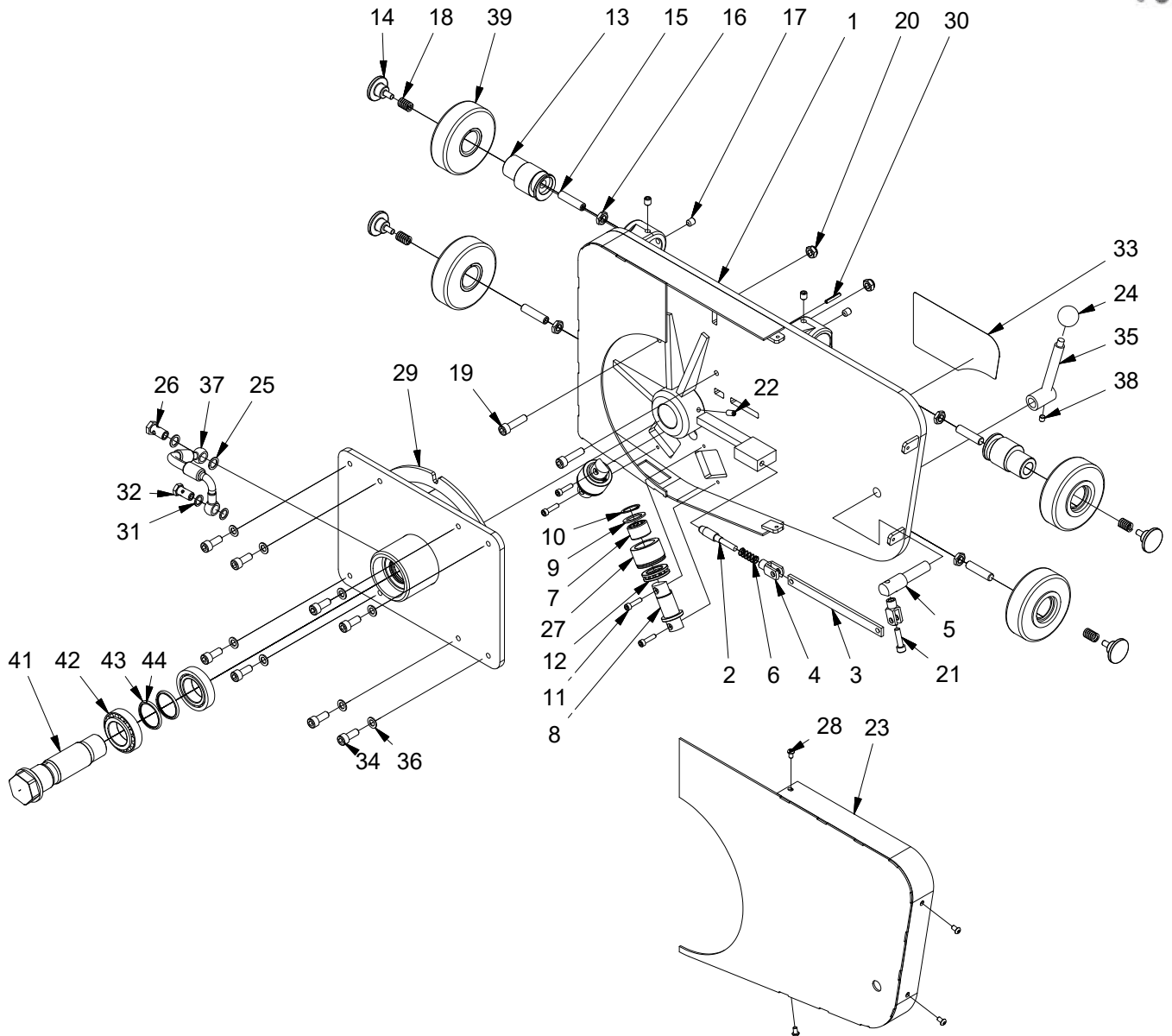
Item	Part no.	Qty	Description	Note
2	404062	8	Bushing	
4	445220	4	Bronze bearing	
5	445200	2	Gripping arm	Multiple colours
6	445201	1	Gripping console	Multiple colours
7	445225	2	Axle	
8	445218	1	Front cover	Multiple colours
9	445219	2	Side cover	Multiple colours
10	445224	2	Axle f/arm	
11	929130	4	Washer	
12	919230	4	Screw	
13	990012	2	Lubricator nipple	
14	919610	6	Screw	
15	948123	4	Bushing	
16	924130	4	Washer	
22	445152	2	Return spring	
23	445153	2	Return spring	
24	999012	2	Rubber cap	
25	915225	2	Screw	
26	922120	2	Nut	
31	993036	12	Plug cap	
33	931420	2	Spring pin	
34	924112	4	Washer	
35	919120	4	Screw	
36	445244	1	Locking pin	
37	941310	1	Bakelite ball	
40	919226E	4	Bolt	
43	996120	4	Handle	
44	912620	8	Screw	
68	939002	1	R clip	
70	445202K	2	Gripping pad	
71	445243K	1	Adjustable support plate	

Reel clamp



Item	Part no.	Qty	Description	Note
1	445221	2	Assembly axle	
3	933200	8	Locking ring	
17	929203	16	Axle washer	
18	445223	1	Assembly axle	
19	445222	1	Assembly axle	
20	445227	1	Slave cylinder	Item 47-52-53 included Serialno. <4167299 use part no. 445227RU
21	445226	1	Primary cylinder	Item 52-53-54 included Serialno. <4167299 use part no. 445226RU
27	905145	2	Copper washer	
28	971146	1	Banjo bolt	
29	973015	1	Banjo bolt	
30	905143	2	Copper washer	
38	445245	4	Ball stud bolt	
39	924101	4	Washer	
42	445112	1	Cylinder connector	
47	966115	1	Filter	
52	905207	2	Sealing	
53	402350-3	2	Hose burst valve	Serial no. <4167299 use part no.402786
54	919111	1	Filler plug	
72	995140R	2	Gas extension spring	Item 80-81 included
80	995141	4	Ball joint	Bolt not included
81	445247	2	Spring connector	

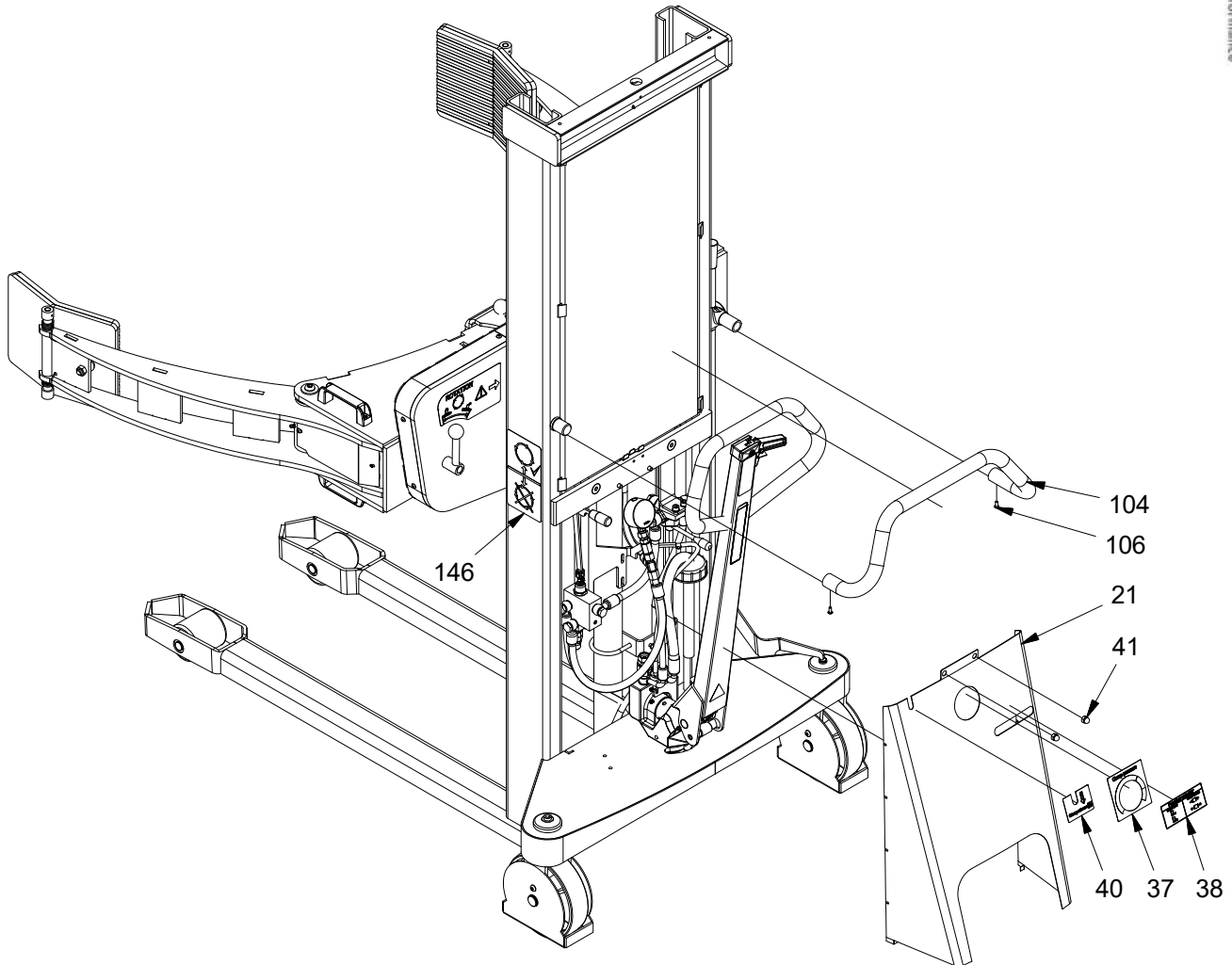
Rotator console



Rotator console

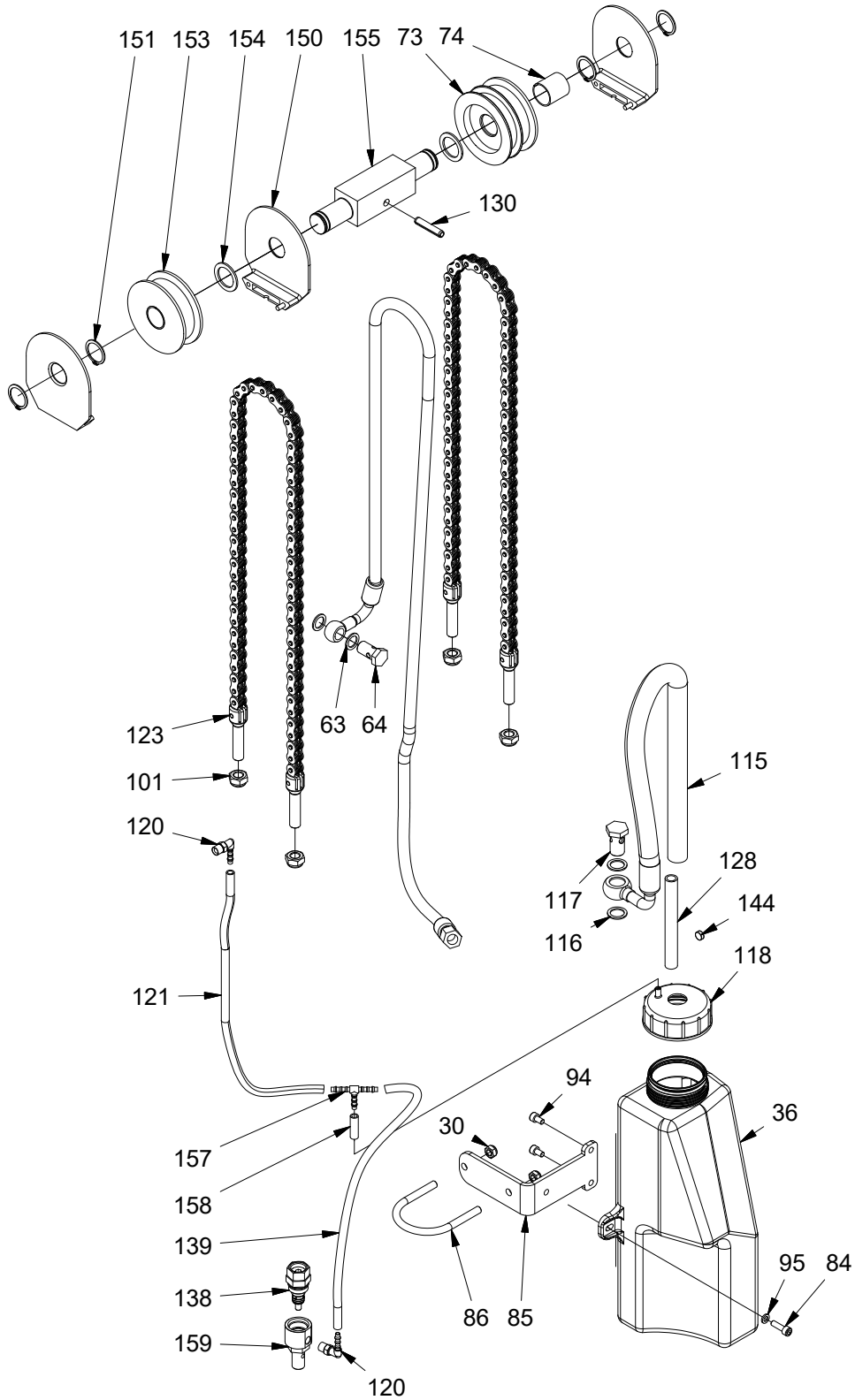
Item	Part no.	Qty	Description	Note
1	445008	1	Rotator console	Multiple colours
2	445017	1	Release pin	
3	445040	1	Release rod	
4	939008	2	Fork head	
5	445042	1	Release axle	
6	958033	1	Spring	
7	949252	2	Roller bearing	
8	404256	2	Support axle	
9	924250	2	Washer	
10	933250	2	Locking ring	
11	912625	4	Screw	
12	945025	2	Bearing	
13	404076	2	Eccentric axle	
14	420153	4	Tap for fork bracket	
15	910250	4	Pointed screw	
16	920122	4	Counter nut	
17	910012	4	Pointed screw	
18	958144	4	Spring	
19	912140	2	Screw	
20	921100	2	Lock nut	
21	912830	1	Screw	
22	910816	1	Pointed screw	
23	445012	1	Cover	Multiple colours
24	941310	1	Bakelite ball	
25	905145	2	Copper washer	
26	971146	1	Banjo bolt	
27	445026	2	Support roller	
28	919610	4	Screw	
29	445024	1	Hydraulic console manual	Multiple colours
30	937530	1	Tubular pin stainless	
31	905143	2	Copper washer	
32	973015	1	Banjo bolt	
33	991264-1	1	Rotation label	
34	912125	8	Screw	
35	445046	1	Handle f/release axle	
36	924101	8	Washer	
37	445110	1	Hydraulic connector	
38	910808	1	Screw	
39	404073K	4	Mast roll	Bearing bush included
41	445025	1	Bearing axle	
42	945468	2	Ball bearing	
43	900425	2	O-ring sealing	Replace when replacing 909400
44	909400	2	Rotational sealing	Replace when replacing 900425

Parts on truck



Item	Part no.	Qty	Description	Note
21	445136	1	Rear guard	Multiple colours
37	991265	1	Pressure indication label	
38	991266	1	Function selector label	
40	991268	1	Clamp release label	
41	920080	2	Top nut	
104	420111K	1	Handle tube	
106	919512	2	Screw	
146	991269	1	Rotation height label	

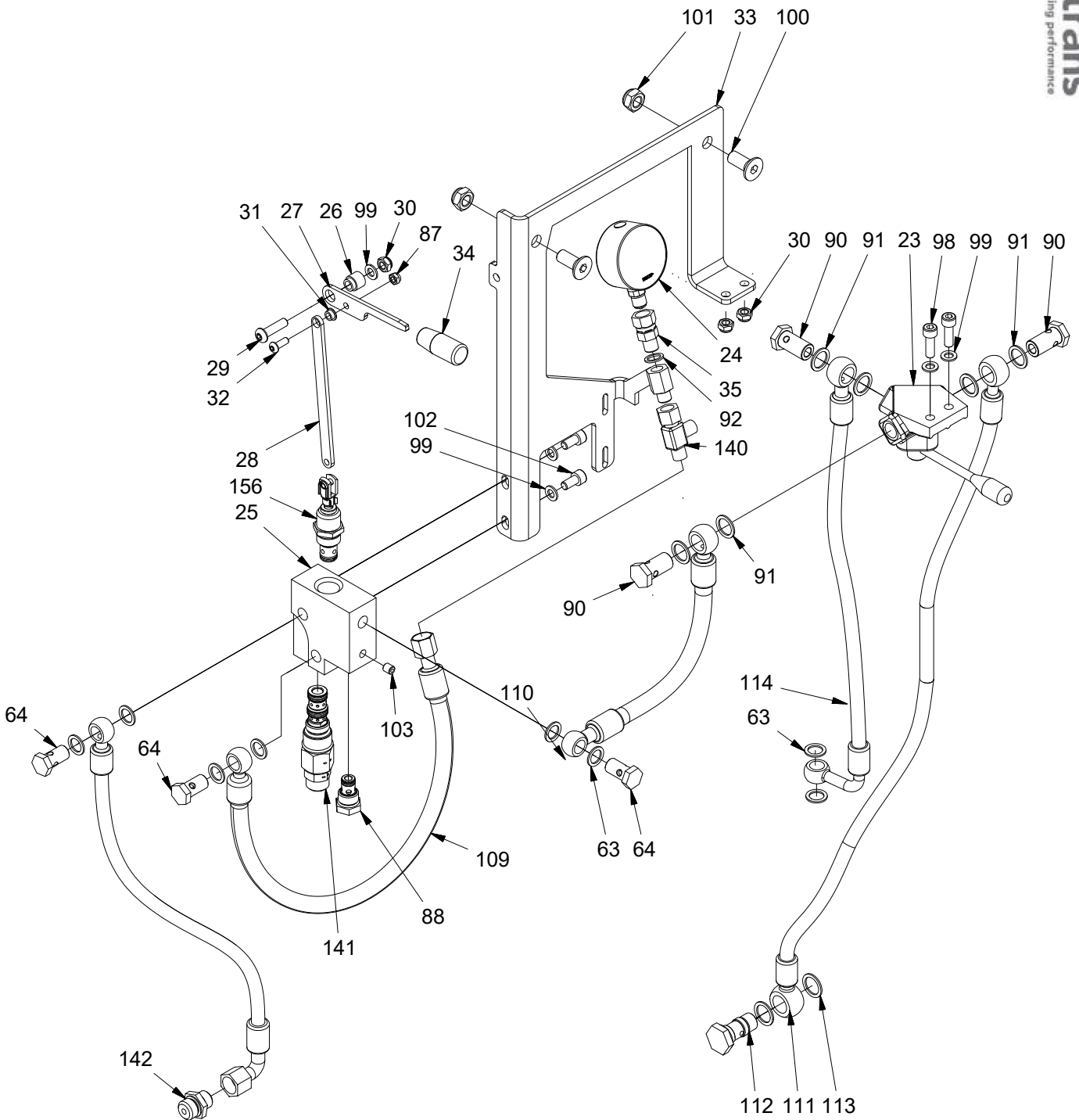
Parts on truck



Parts on truck

Item	Part no.	Qty	Description	Note
30	921080	5	Lock nut	
36	978943	1	Oil reservoir 3 liters	
39	991264-1	1	Rotation label	
40	991268	1	Clamp release label	
41	920080	2	Top nut	
42	445017	1	Release pin	
43	445040	1	Release rod	
44	939008	2	Fork head	
63	905145	12	Copper washer	
64	971146	4	Banjo bolt	
73	403031	1	Cable roller	
74	404063	2	Bushing f/chain roller	
84	912620	1	Screw	
85	445158	1	Mount plate	
86	405355	1	Clamp	
94	912610	2	Screw	
95	924061	1	Washer Ø6 Din 433	
101	921120	6	Lock nut	
108	445114-3	1	Console safetyvalve connector	
115	970932	1	Hydraulic hose	
116	905160	2	Copper disc	
117	971148	1	Banjo bolt	
118	420607	1	Plastic cover f/tank LF	
120	975114	2	Angular nipple	
123	402704	2	Lifting chain cpl.	
128	445052	1	Suction pipe	
130	931840	1	Straight pin	
138	984837	1	Pressure relief valve	
144	990010	1	Magnet	
150	402263	3	Cover for chain roller	
151	933250	4	Circlip	
153	404064	1	Chain roller	
154	926250	2	Washer	
155	450306	1	Cross piece f/piston rod	
157	978511	1	Tee hose connector	
159	445108	1	Pressure relief valve housing	

Parts on truck



Parts on truck

Item	Part no.	Qty	Description	Note
23	999034	1	3-way valve	
24	999020	1	Gauge	
25	445099	1	Valve block	
26	445096	1	Distance bushing	
27	445097	1	Lever	
28	445098	1	Rod	
29	919831	1	Screw	
30	921080	5	Lock nut	
31	445095	1	Bushing	
32	919616	1	Screw	
33	445156	1	Assembly plate	
34	998008	1	Handle	
35	973149	1	Gauge connector	
63	905145	12	Copper washer	
64	971146	4	Banjo bolt	
87	921060	1	Lock nut	
88	984836	1	One-way valve	
90	971136	3	Banjo bolt	
91	905172	6	Copper washer	
92	905143	3	Copper washer	
98	912825	2	Screw	
99	924080	5	Washer	
100	911231	2	Screw	
101	921120	6	Lock nut	
102	912816	2	Screw	
103	990041	1	Closing plug	
109	445121	1	Hydraulic hose	
110	445120	1	Hydraulic hose	
111	445119	1	Hydraulic hose	
112	984843	1	Flow valve	
113	905180	2	Copper washer	
114	445118	1	Hydraulic hose	
156	999031R	1	Release valve	
140	973151	1	T Connector	
141	999040	1	Valve	
142	973115	1	Nipple	
162	445125	1	Hydraulic hose	