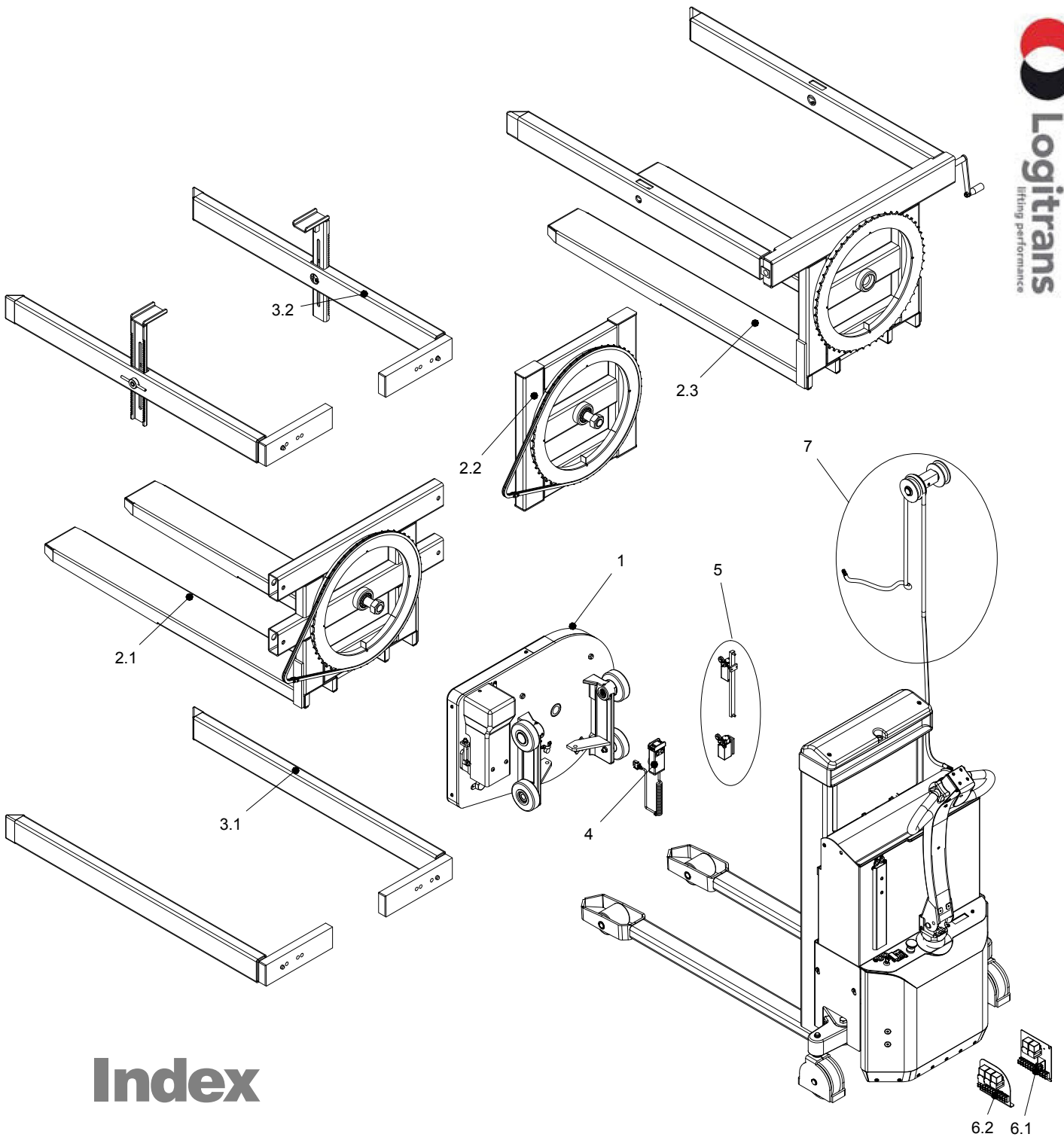


# **ELFR/ELFSR, ELFRA/ELFSRA** **SELFR/SELFSR, SELFRA/SELFSRA**

## Spare Parts List

-Addition to ELF/ELFS, SELF/SELFS spare parts list





# Index

<b>1. Rotator carriage.....</b>	<b>3</b>
<b>2. Rotator forks.....</b>	<b>5</b>
2.1 Rotator forks.....	5
2.2 Multi-purpose carriage.....	6
2.3 Rotator forks w.adjust. box holders.....	7
<b>3. Box holder.....</b>	<b>8</b>
3.1 Box holder .....	8
3.2 Box holder with clamps.....	9
<b>4. Remote control.....</b>	<b>10</b>
<b>5. Stop device .....</b>	<b>11</b>
<b>6. Relay plate.....</b>	<b>12</b>
6.1 Relay plate 12 V.....	12
6.2 Relay plate 24 V.....	13
<b>7. Parts on truck.....</b>	<b>14</b>

The correct spare parts are obtainable from your dealer.  
When ordering, please state:

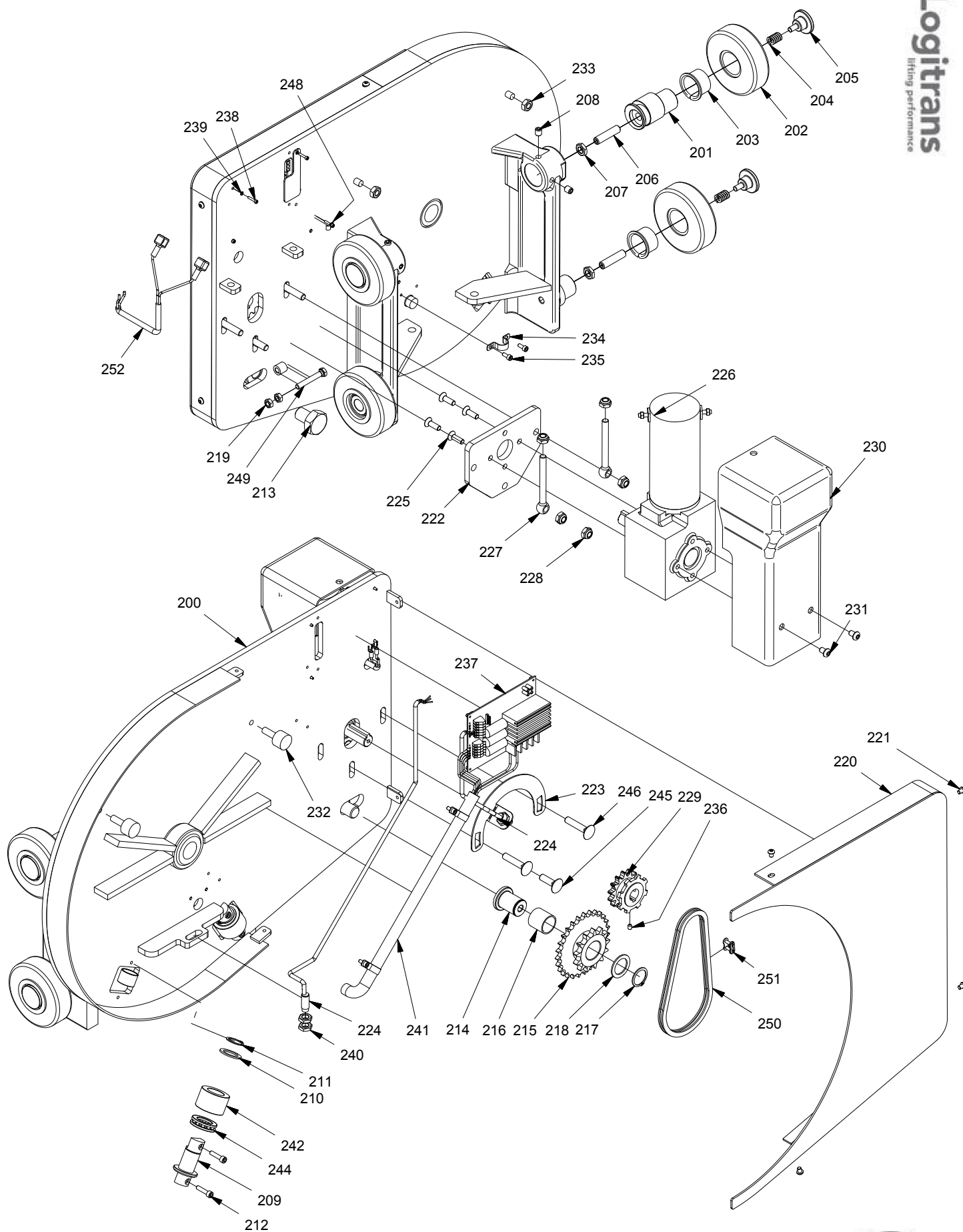
- Serial number of the product
- Type and width/length of the product
- Spare part no.

By ordering spare parts with „Part no.“ being grey, please state one of the following colour codes:

- 1: RAL 2002 (Logitrans red)
- 2: RAL 1028 (yellow)
- 3: An other RAL colour
- 6: black

Ex. **425050-1** => 425050-1-1

# Rotator carriage

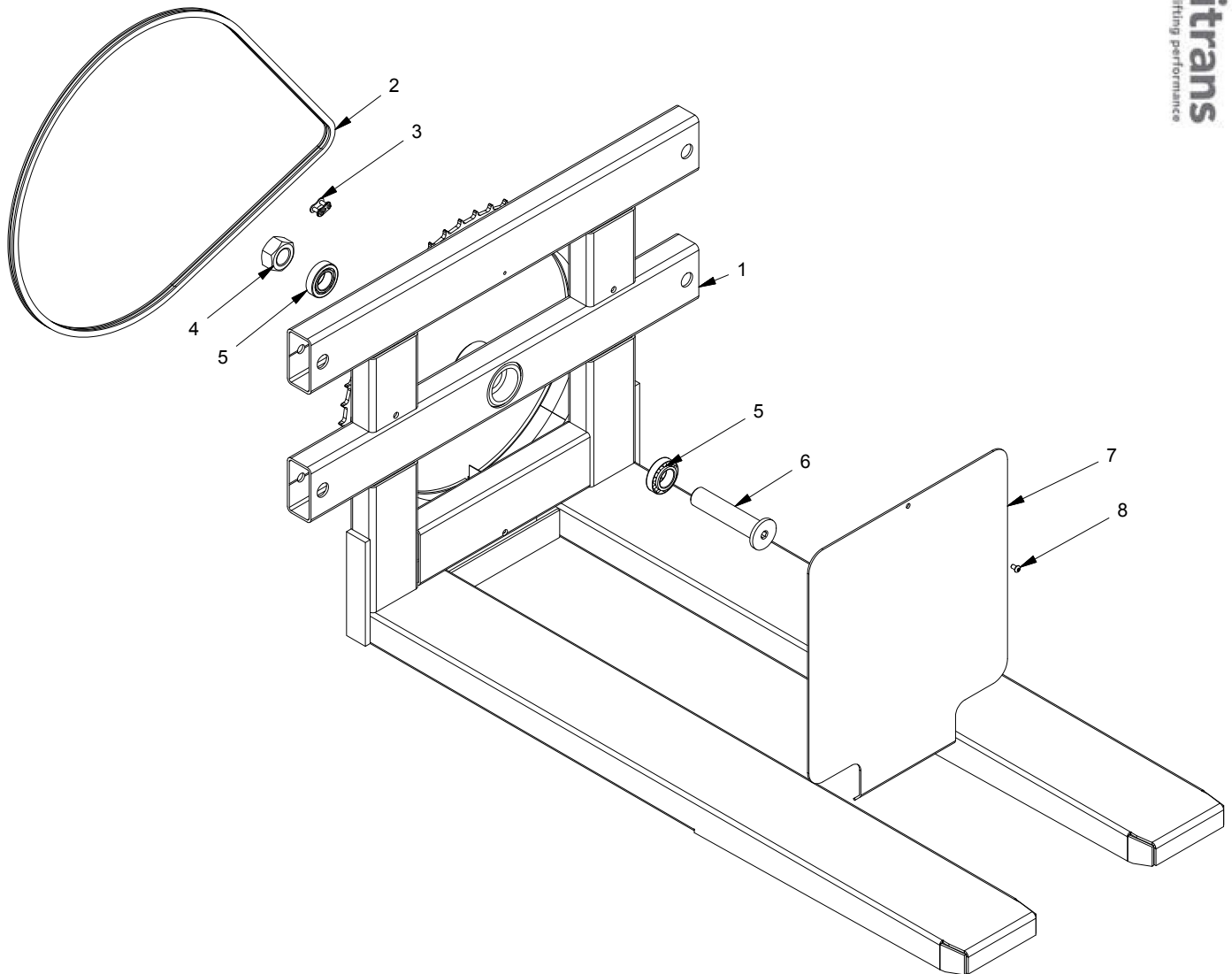


# Rotator carriage

Item	Part no.	Qty	Description	Note
200	404268	1	Bracket plate cpl.	
201	404076	2	Eccentric axle	
202	404073	4	Mastrolle Ø112 Kunststof	
203	948314	4	Bearing bush	
204	958144	3	Spring	
205	420153	3	Tap for fork bracket	
206	910250	3	Pointed screw	
207	920122	3	Counter nut	
208	910012	4	Pointed screw	
233	922101	2	Screw	
209	404256	2	Support axle	
210	924250	2	Washer	
211	933250	2	Circlip	
212	912625	4	Screw	
213	404257	1	Chain wheel bolt	
214	404258	1	Chain wheel pin	
215	403040	1	Chain wheel	
216	948313	1	Bushing	
217	933280	1	Circlip	
218	924280	1	Washer	
219	922080	2	Nut	
220	404267	1	Cover f/bracket plate	
222	403691	1	Flange	
223	404277	1	Holder for sensor	
224	985407	2	Inductive sensor f/motor contr	
225	911825	4	Screw	
226	985260	1	Gear motor 24 Volt	
	985250	1	Gear motor 12 Volt	
227	919110	2	Eye bolt	
228	921100	5	Lock nut	
229	404279	1	Chain wheel with washer	
230	404225	1	Motor cover	
231	919812	2	Screw	
232	401097	2	Brake pad M10x30	
234	989058	3	Holder f/cable	
235	912512	6	Screw	
237	985405	1	Motor control unit	
238	912316	4	Screw	
239	924030	4	Washer	
240	920120	4	Counter nut	
241	981211	1	Cable	
244	945025	2	Bearing	
245	919136	1	Bolt	
246	919151	2	Bolt	
248	980206	1	Cable holder	
249	919855	1	Screw	
250	403059	1	Chain	
251	951021	1	Chain connector	
252	150021	1	Cable f/gear motor	
236	910608	1	Pointed screw	
221	919608	4	Screw	
242	404255	2	Support roller Ø45	
243	948252	2	Bushing	
247	404342	1	Cover f/plug	

# Rotator forks

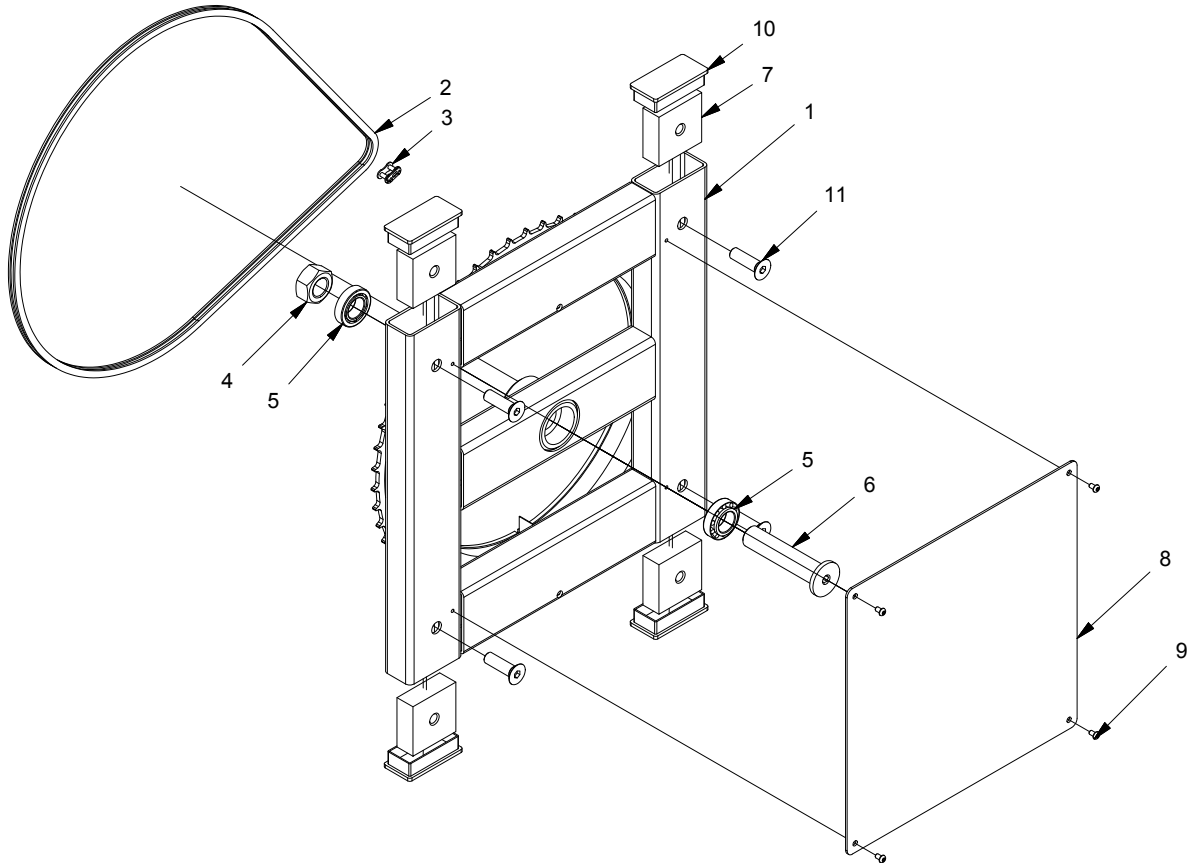
## 2.1 Rotator forks



Item	Part no.	Qty	Description	Note
1	404230-3	1	Rotator forks cpl. 560x1250	
	404231-3	1	Rotator forks cpl. 680x1250	
2	403758	1	Chain	
3	951042	1	Chain connector	
4	922300	1	Nut	
5	945355	2	Roller bearing	
6	404260	1	Main axle	
7	404274	1	Cover plate	
	404341	1	Cover plate 680 Rotator	
8	919610	1	Screw	

# Rotator forks

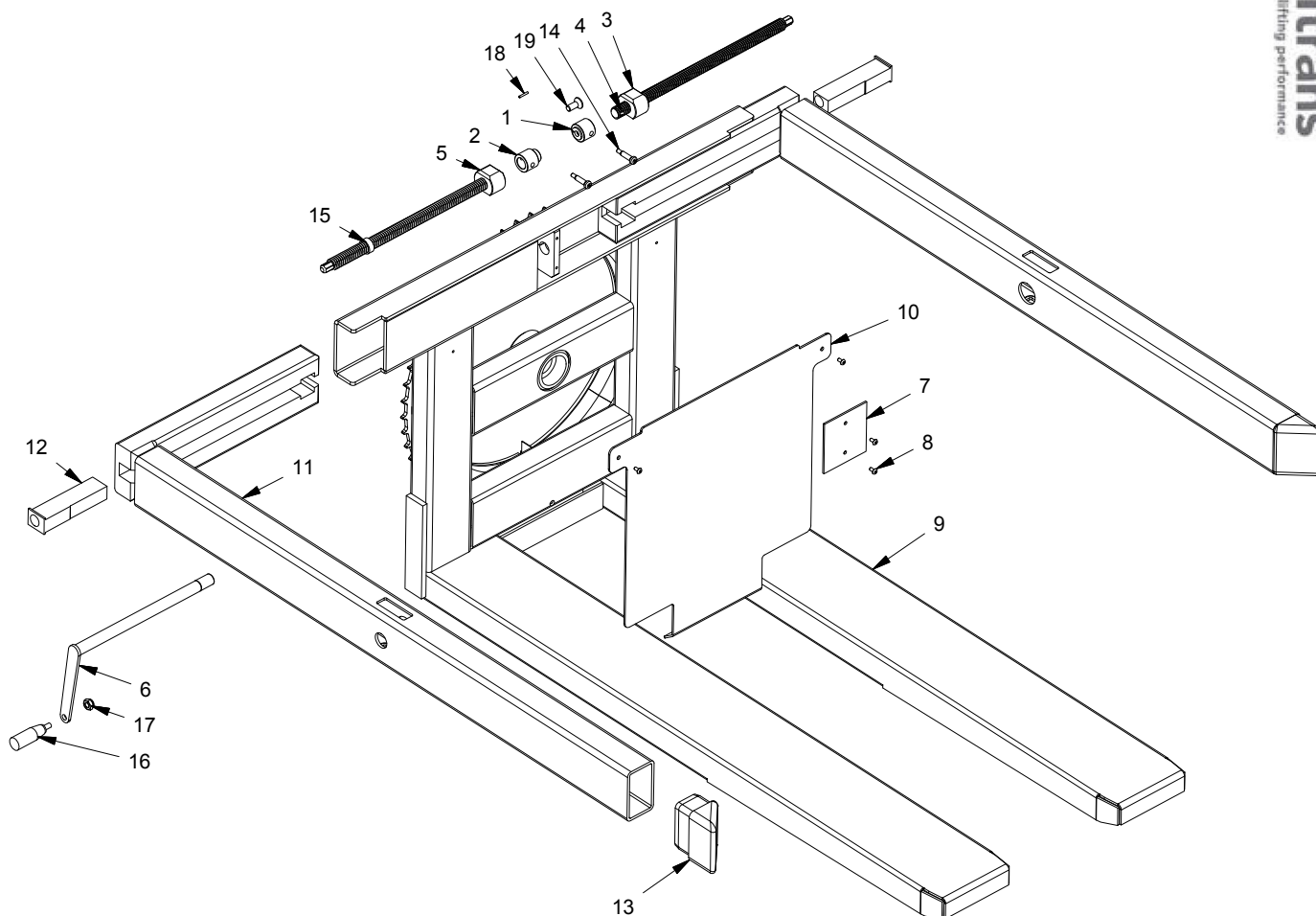
## 2.2 Multi-purpose carriage



Item	Part no.	Qty	Description	Note
1	404285	1	Multi-purpose carriage 560	
	404381	1	Multi-purpose carriage 680	
2	403758	1	Chain	
3	951042	1	Chain connector	
4	922300	1	Nut	
5	945355	2	Roller bearing	
6	404260	1	Main axle	
7	404351	4	Block	
8	403574	1	Cover plate 560	
	403575	1	Cover plate 680	
9	919610	4	Screw	
10	993150	4	Cover	
11	919650	4	Screw	

# Rotator forks

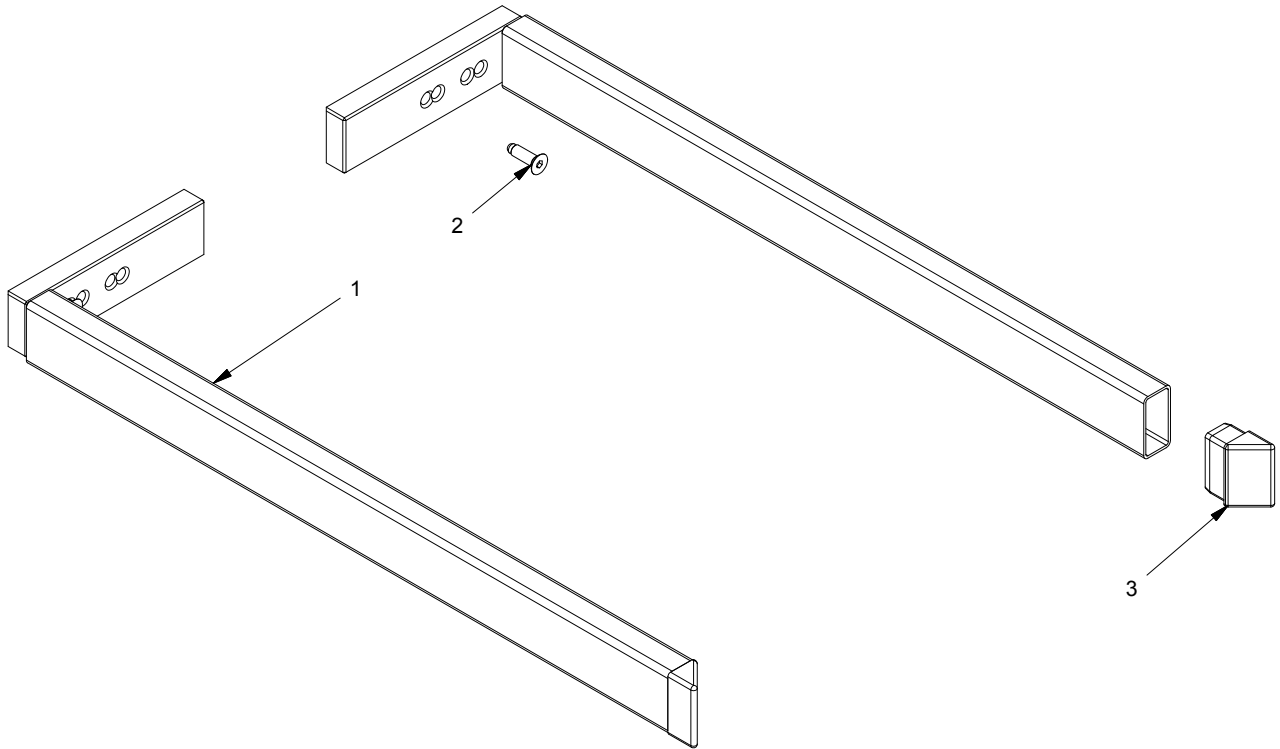
## 2.3 Rotator forks with adjustable box holders



Item	Part no.	Qty	Description	Note
1	404511	1	Spindle connector A	
2	404512	1	Spindle connector B	
3	404509	1	Trapezoidal nut L	
4	404507	1	Trapez spindle L	
5	404510	1	Trapezoidal nut R	
6	404524	1	Crank	
7	404528	1	Cover	
8	919510	4	Screw	
9	404527-3	1	Rotator forks cpl.	
10	404506	1	Cover plate	
11	404503	2	Box support	
12	404529	2	Nylon insert	
13	404530	2	Plastic end for box holder	
14	919828	2	Bolt	
15	404526	1	Trapez spindle R with stop	
16	994025	1	Tilt handle	
17	921100	1	Lock nut	
18	932320	1	Pin	
19	911125	1	Screw	

# Box holder

## 3.1 Box holder

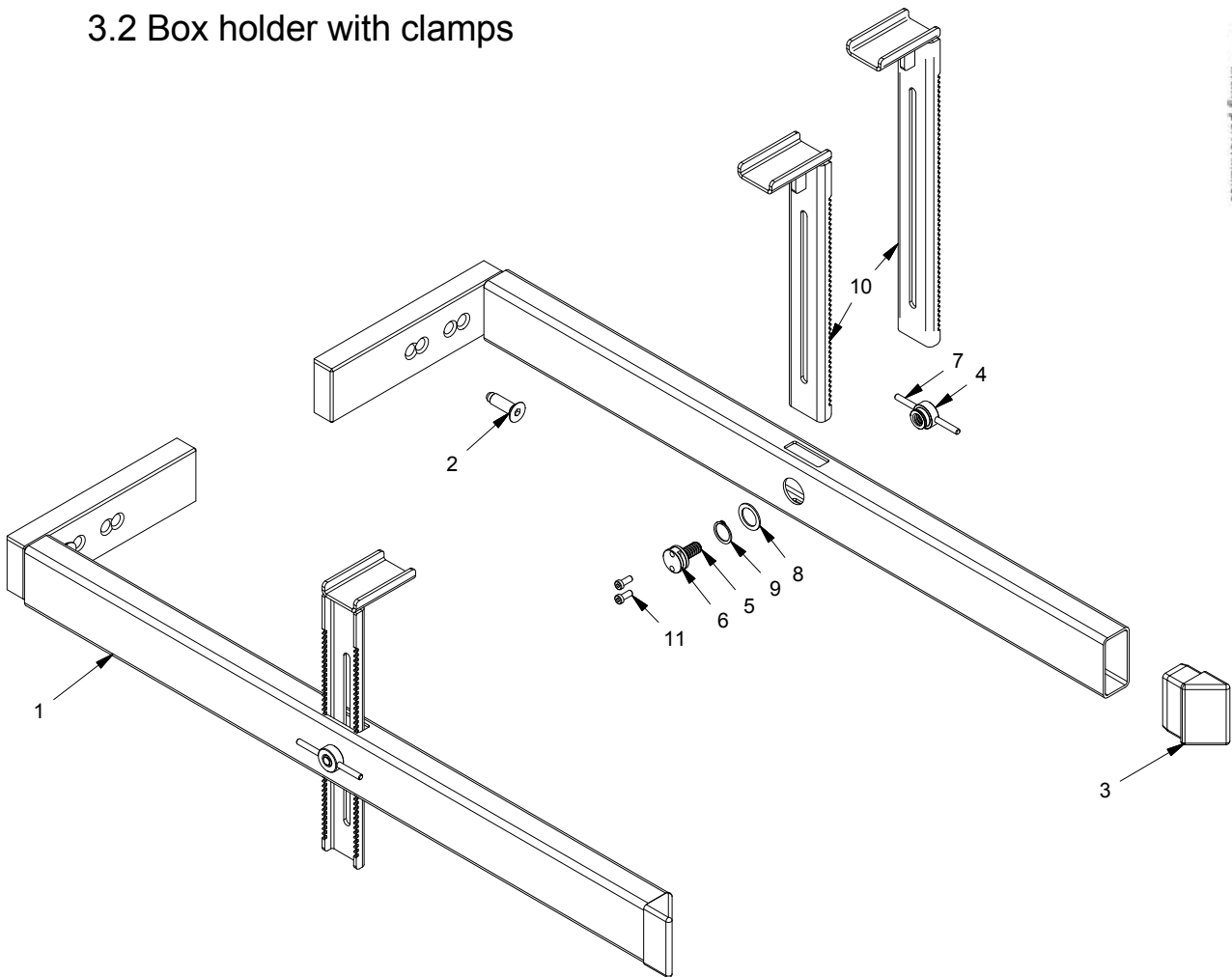


Item	Part no.	Qty	Description	Note
1	404290	2	Box support	
2	404336	2	Bolt f/box holder	
3	404349	2	Plastic end for box holder	



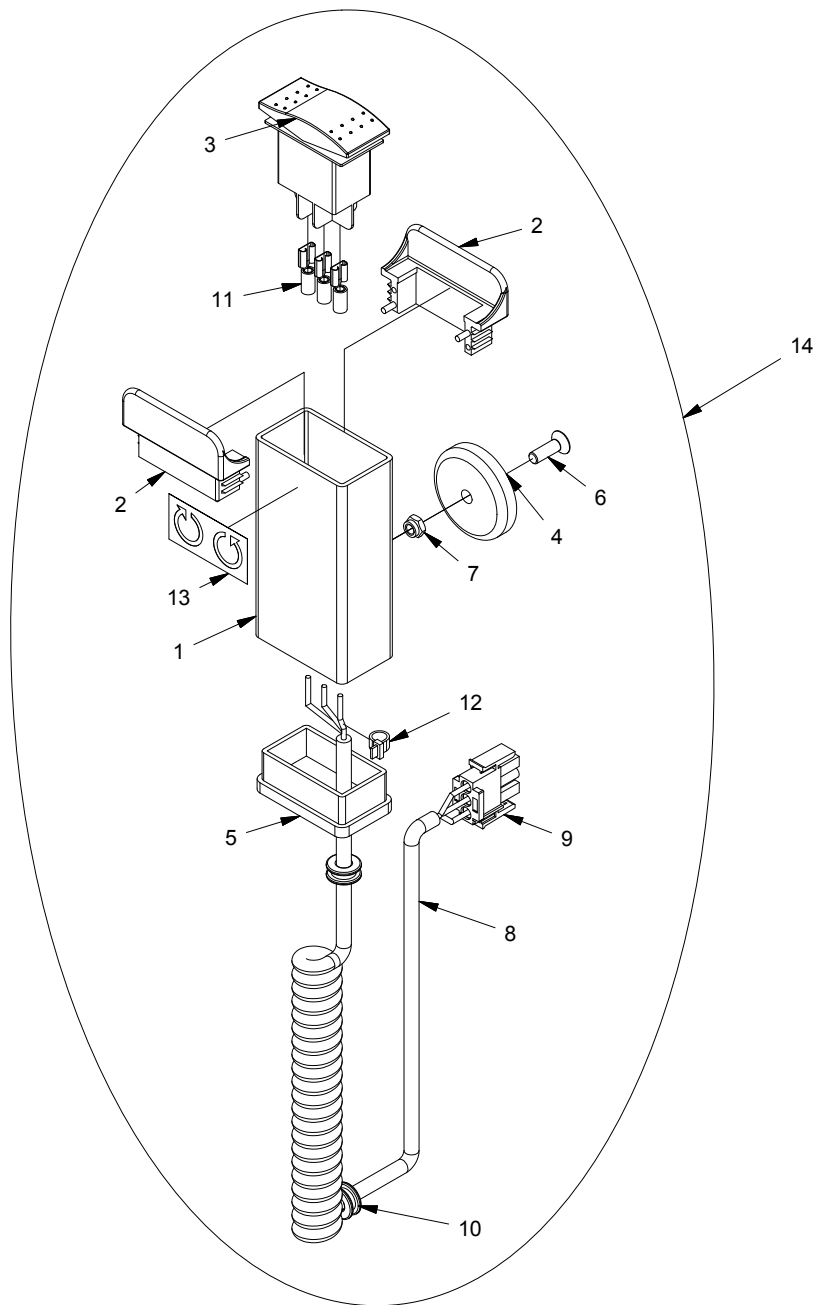
# Box holder

## 3.2 Box holder with clamps



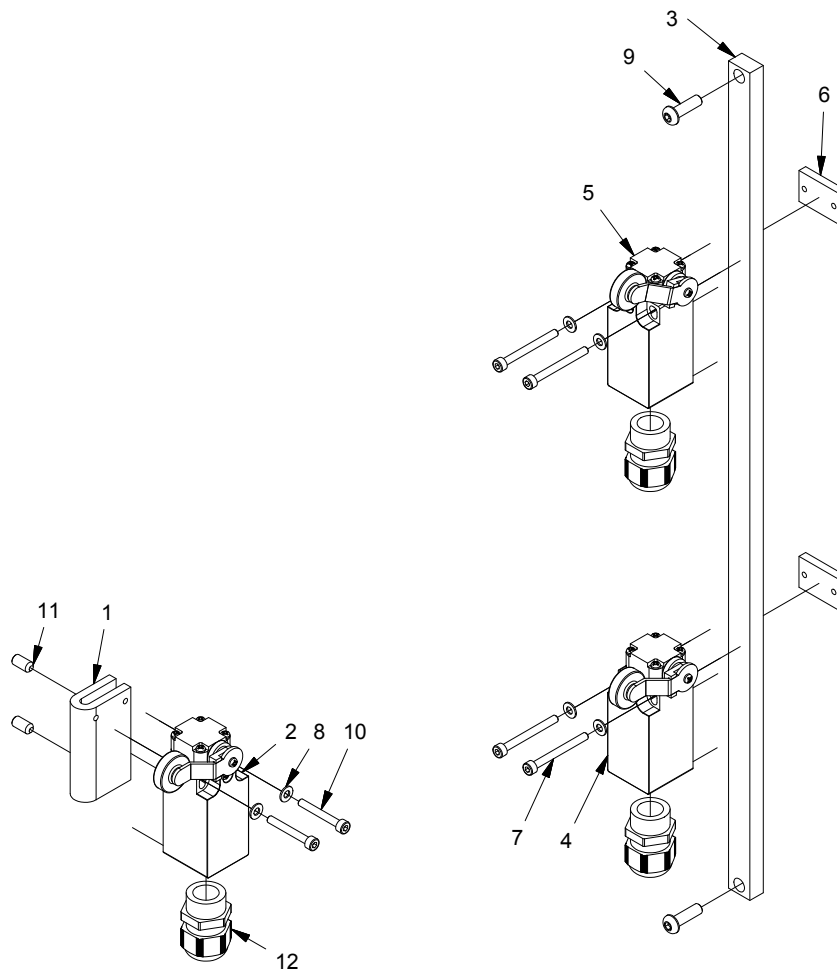
Item	Part no.	Qty	Description	Note
1	404416	2	Box support	
2	404336	2	Bolt f/box holder	
3	404349	2	Plastic end for box holder	
4	404418	2	Nut	
5	404422	2	Spindle f/ box holder	
6	404420	2	Washer	
7	404419	4	Handle f/nut	
8	924280	2	Washer	
9	933280	2	Circlip	
10	404425	2	Clamps short	
	404466	2	Clamps long	
11	912820	4	Screw	

# Remote control



Item	Part no.	Qty	Description	Note
1	401243	1	Remote control casing	
2	402356	2	Contact carrier	
3	982075	1	Tilting switch	
4	990019	1	Magnet Ø40x8	
5	404206	1	Plastic cover	
6	911516	1	Screw	
7	921050	1	Lock nut M5 Din 985	
8	981321	1	Spiral wire	
9	982004	1	Male multiple plug	
10	530022	2	Cable lead-in	
11	980108	3	Cable eye	
12	986108	1	Cable strips	
13	991230	2	Label f/remote control	
14	160186	1	Remote control rotate cpl.	

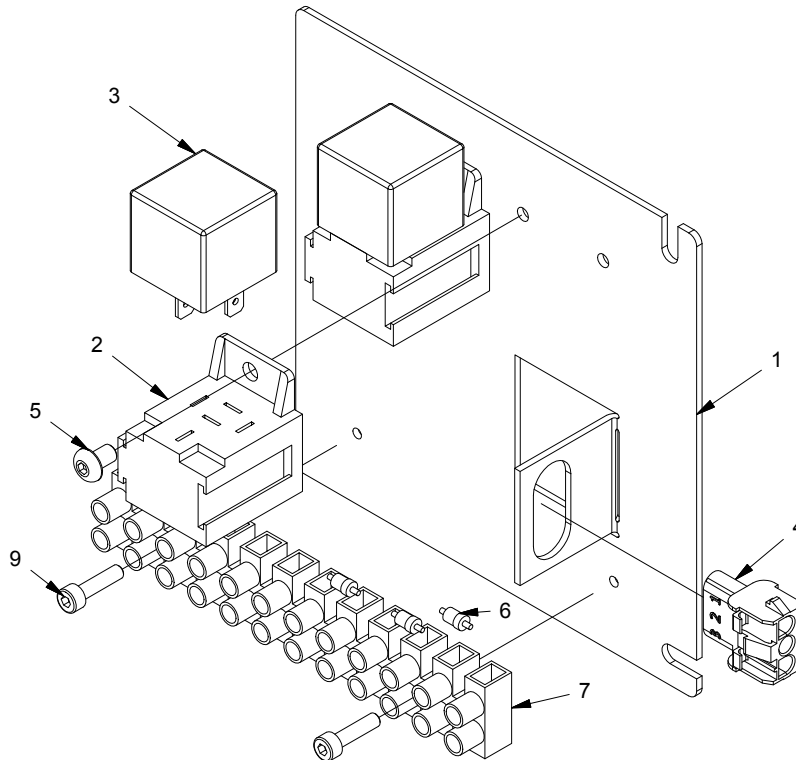
# Stop device



Item	Part no.	Qty	Description	Note
1	420001	1	Clamp for switch	
2	982228	1	Switch	
3	420192-2	1	Fitting for stop device 1200	
	420192-3	1	Fitting for stop device 1400	
	420192-4	1	Fitting for stop device 1600	
4	982226	1	Switch 2NO	
5	982227	1	Rotary lever 2NC	
6	420159	2	Switch fastening	
7	912440	4	Screw	
8	924040	6	Washer	
9	919620	2	Screw	
10	912430	2	Screw	
11	910612	2	Screw	
12	982037	3	Cable lead-in	

# Relay plate

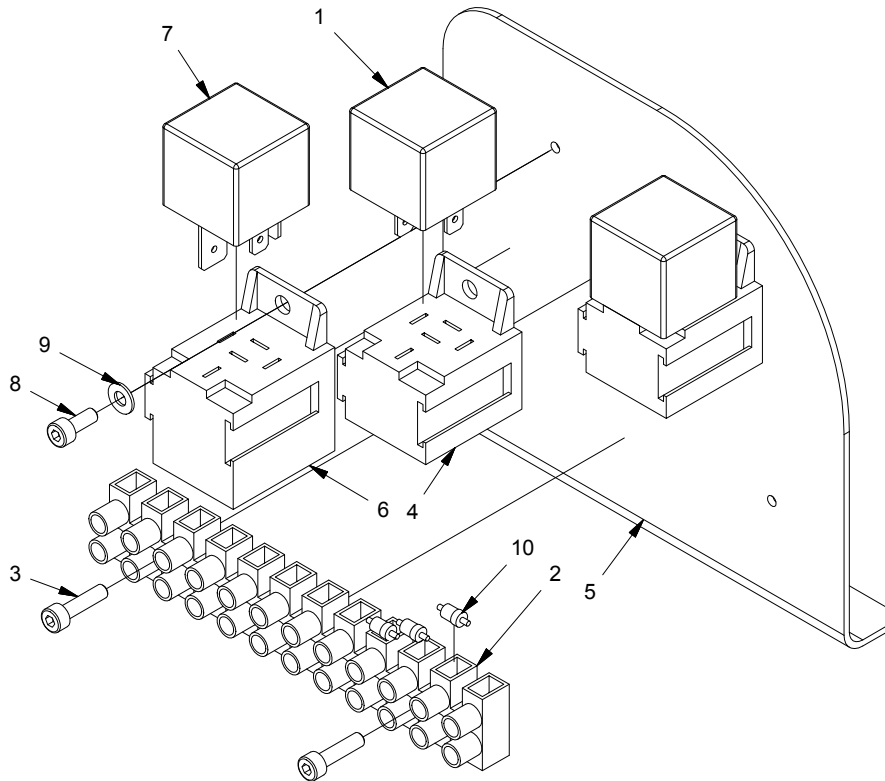
## 6.1 Relay plate 12 V



Item	Part no.	Qty	Description	Note
1	420158	1	Relay plate	
2	982058	2	Socket housing f/minirelay	
3	982052	2	Relay 12V/30 Amp	
4	982003	1	Female plug	
5	919508	2	Screw	
6	982021	3	Diode	
7	982138	1	Connecting block	
9	912416	2	Screw	

# Relay plate

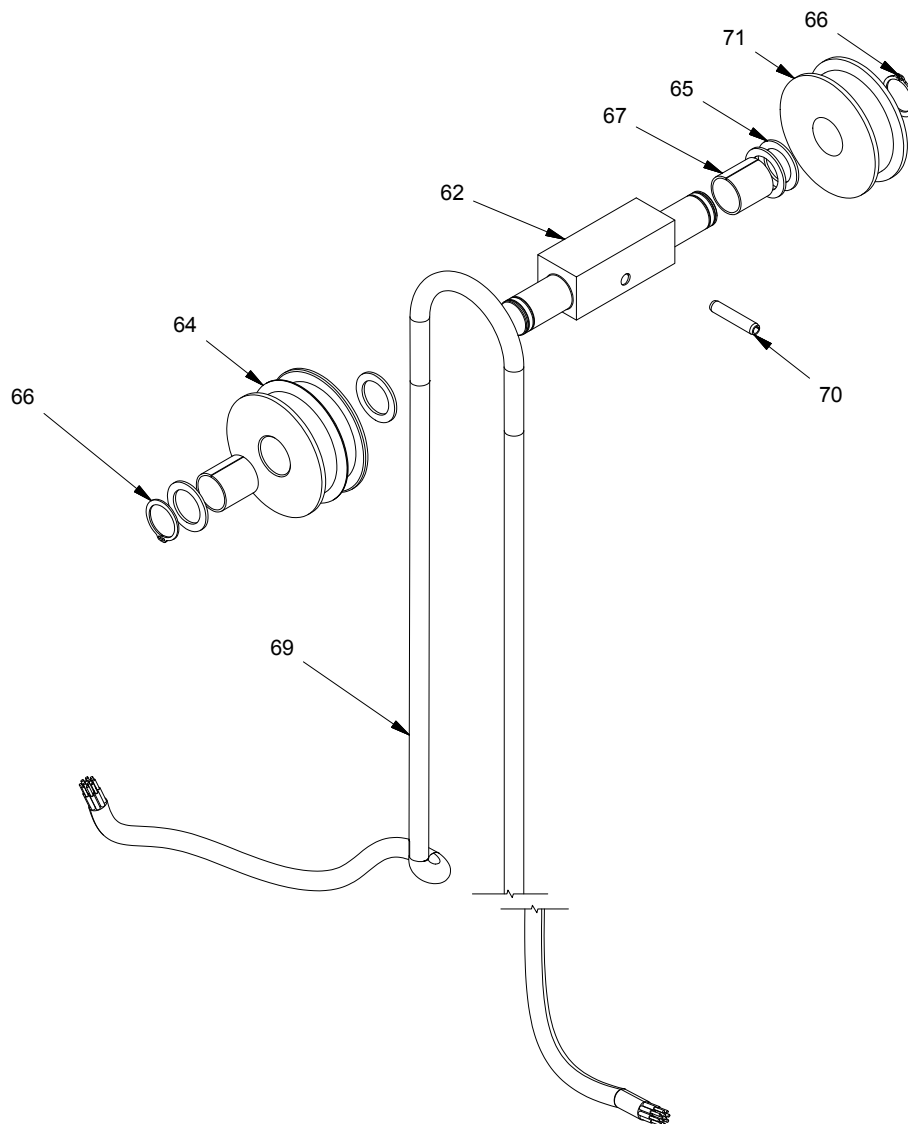
## 6.2 Relay plate 24 V



Item	Part no.	Qty	Description	Note
1	982059	2	Relay 24V/20 Amp	
2	982022	1	Connecting block	
3	912416	2	Screw	
4	982058	2	Socket housing f/minirelay	
5	405865	1	Relay plate 24V	
6	982155	1	Holder f/relay	
7	982154	1	Relay 24V/40 Amp	
8	912410	2	Screw	
9	924040	2	Washer	
10	982021	3	Diode	

# Parts on truck

## 7.1 Cross piece cpl. with cable



Item	Part no.	Qty	Description	Note
62	404146	1	Cross piece	
64	403031	1	Cable roller	
65	924250	4	Washer	
66	933250	2	Circlip	
67	404063	2	Bushing f/chain roller	
69	981211	1	Cable	
70	931840	1	Straight pin	
71	404064	1	Chain roller	