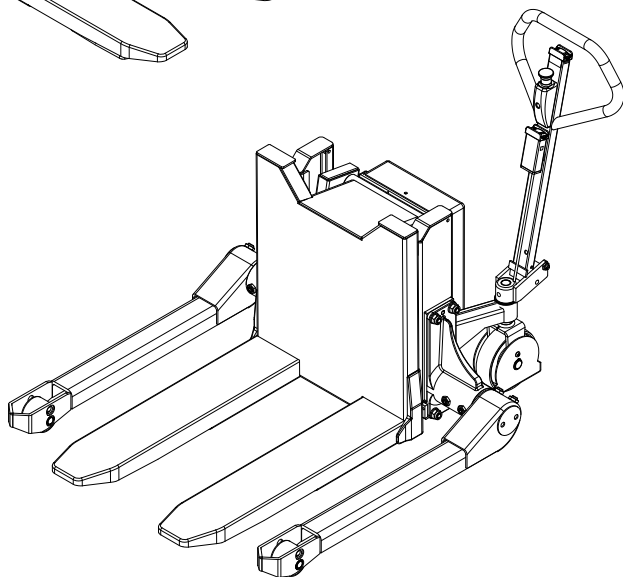
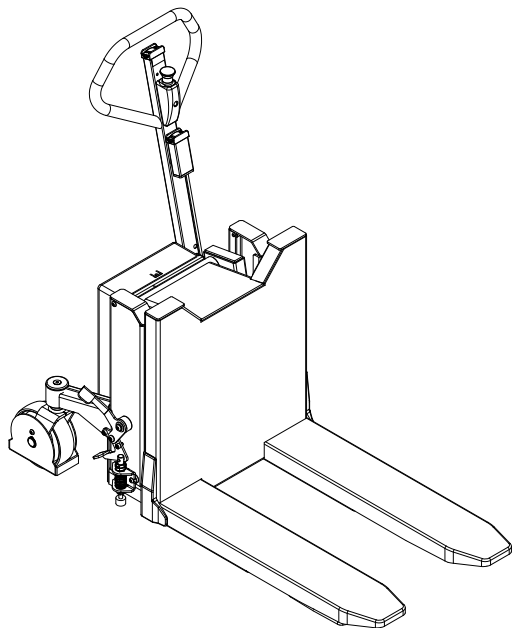


LOGITILT LT-TE / LT-TES



EU DECLARATION CONFORMANCE

Manufacturer: **Logitrans A/S**
Hillerupvej 35
DK-6760 Ribe
Denmark

It is hereby declared that:

Machine: Productgroup: Logitilt

 Type: LT 1001TE/TES

 Year of
 manufacture/
 Serie nr.:

a) Has been manufactured in conformance with the stipulations of the:

- **Directiv no. 2006/42/EC**
- **Directiv no. 2004/108/EC**
- **Directiv no. 2006/95/EC**


b) Has been manufactured in conformance with the stipulations of the standards:

- **EN ISO 3691-5**

Name: **Gitte K. Berg**

Position: **CEO**

Company: **Logitrans A/S**

Signature: 

Product type declaration of:
01.06.2016

Distributor:

D177-1



1.0 Before the first lift...

The **Logitilt** is manufactured in accordance with safety directives.

Among the subjects dealt with in this **Instruction Manual** are:



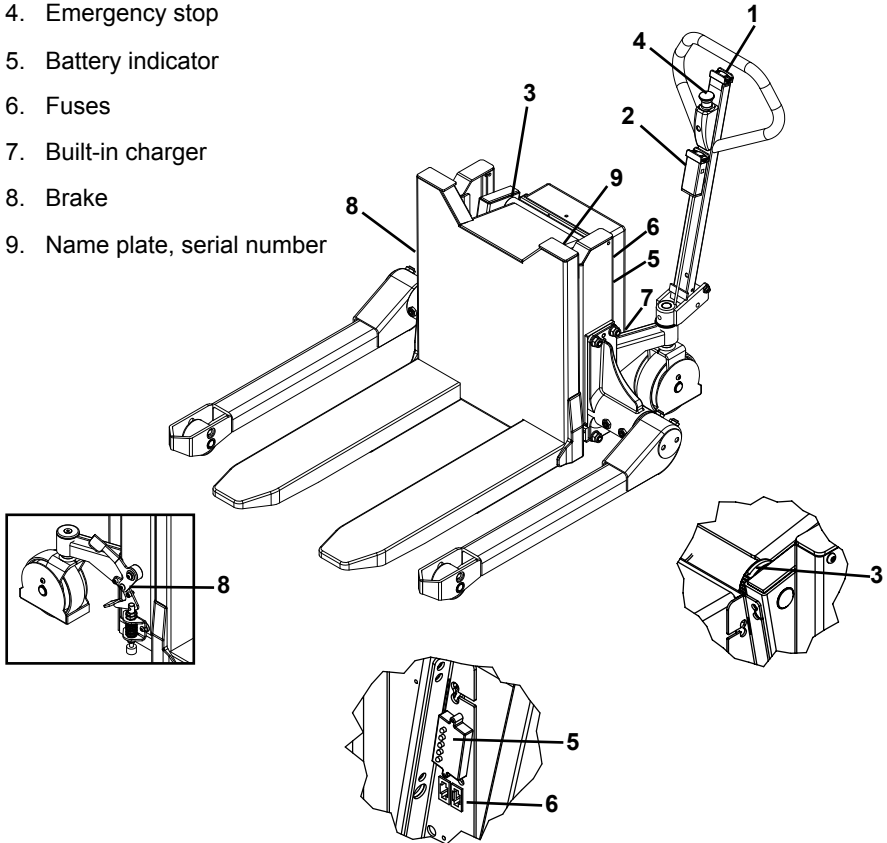
- **Proper application**
- **Physical limitations of the product**
- **Risks with improper use**

Therefore please read this Instruction Manual carefully!



2.0 Functions and identifications

1. Lift/Lower forks
2. Remote control for tilt up/down
3. Setting of stop for tilting angle
4. Emergency stop
5. Battery indicator
6. Fuses
7. Built-in charger
8. Brake
9. Name plate, serial number

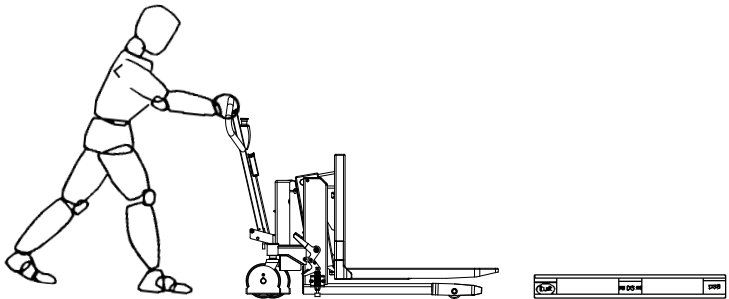




3.0 How to operate the Logitilt

For proper operation, stand behind the handle.

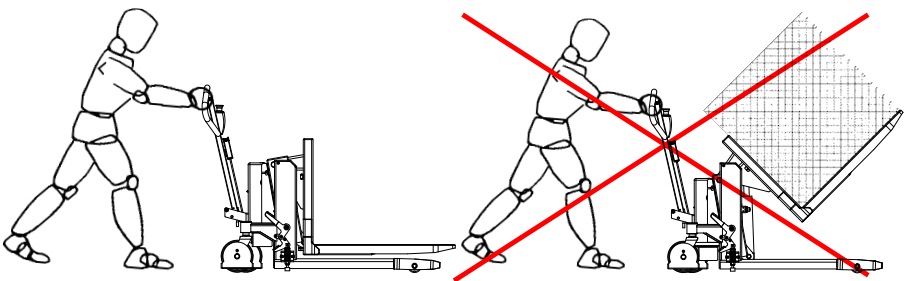
Push/pull
Raise/lower
Tilt/lower



The Logitilt has assisted steering on one wheel to make manoeuvring easy.

Note! The functions can be operated independently of each other. Lift/lower can be operated simultaneously with tilt.

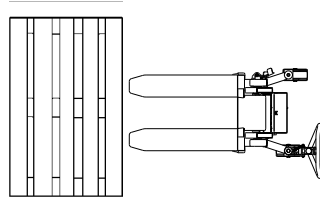
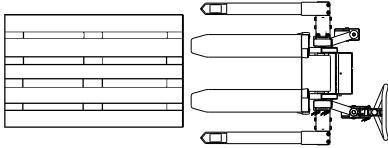
3.1 Driving loaded



The Logitilt is designed for use on even and level floor. During transport the forks shall be raised as little as possible. Transport with raised forks should be made over the shortest possible distances and at low speed.

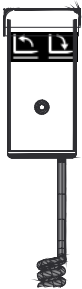
3.0 How to operate the Logitilt

When handling closed pallets....
... use Logitilt with straddle legs!



Brake

When the Logitilt is tilted, Logitilt must be standing on a firm and even floor with brake activated.



Remote control:

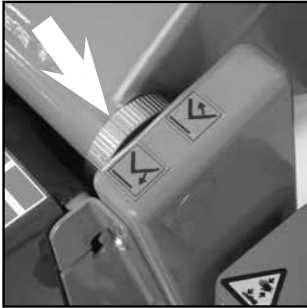
The tilt function is incorporated in the remote control. The remote control is fitted with a coiled cable and a magnet so that it can be attached to the truck.

Handle

When Logitilt is tilted, the handle can be turned to the side to make access to the crate easier.



3.0 How to operate the Logitilt



Setting of stop for tilting angle

Increase tilting angle:

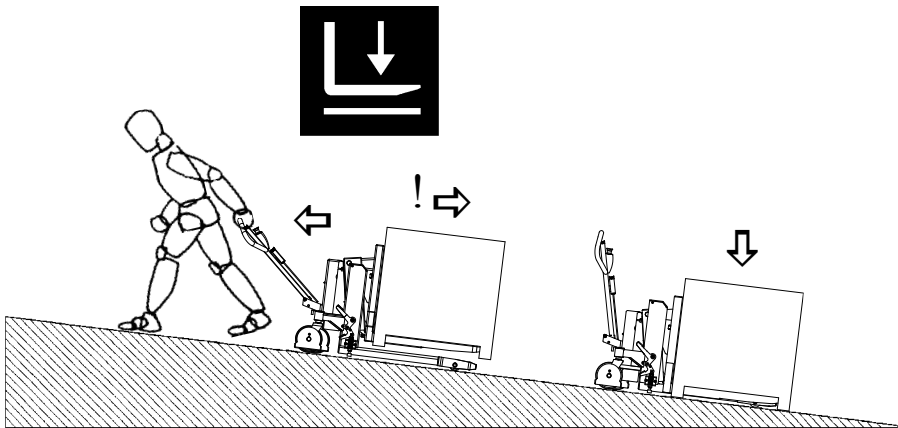
Turn the ring towards the forks.

Reduce tilting angle:

Turn the ring away from the forks.

NOTE! If the tilting function does not work, turn the ring towards the forks.

3.2 Emergency braking



If it becomes necessary to use the load as a brake to prevent the Logitilt running loose, activate the DOWN button quickly until the load reaches the ground.



Emergency braking

The product has an emergency stop. When activating the emergency stop, the main current supply is switched off.

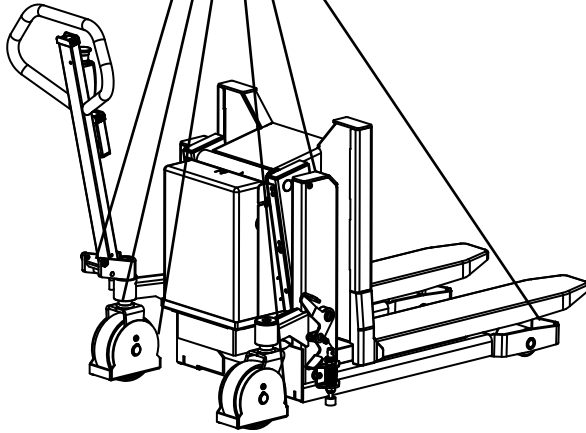
- The movement of the forks stops immediately



4.0 Optimum safety

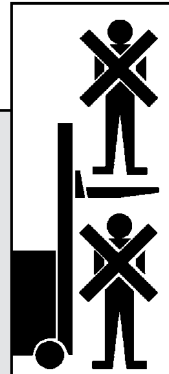


ATTENTION
Moving parts



Safety regulations

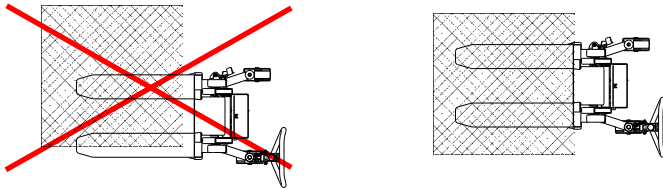
- Never walk under a tilted load!
- Before lowering the forks, make certain that no foreign elements can hinder the free lowering of the forks.
- The Logitilt is designed for use on even and level floor.
- During transport the forks shall be raised as little as possible.
- Transport with tilted forks should be made over the shortest possible distances and at low speed.



4.0 Optimum safety

4.1 Avoid overloads

The maximum load must not be exceeded. **Remember**, the Logitilt is designed for evenly distributed load, - goods on pallets etc. If the forks are point-loaded on one side there is a risk of bending.



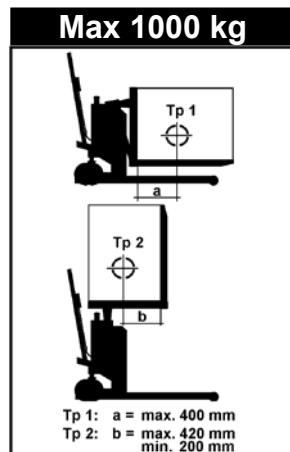
4.2 Avoid offset loads

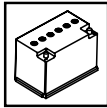
The load must be placed evenly and squarely. The maximum distance from fork bracket front to centre of gravity must not be exceeded. If this distance is exceeded, safety is reduced and there is a risk of toppling. Goods in crates, boxes, etc. must be secured so that they cannot fall off during running, or when Logitilt is in its tilted position.

4.3 Marking

The lifting capacity of the fork bracket and the corresponding centre of gravity distance are given on the data plate on the top of the bracket.

Note that the centre of gravity does not remain in the same place. Its position varies as the forks are lowered or tilted.





5.0 There must be a current supply...

5.1 Fuses - replacement

The Logitilt has three fuses. Two are placed on the left side of the battery bracket. The main fuse is placed under the battery cover.

Replacement:

Before replacing fuse, disconnect battery + pole. The old fuse can then be removed and replaced by a new one of the same size.

Do not insert a larger fuse; the fuse acts as a protector for the pump motor.

Find out why fuses blow!

5.2 Wiring connections

Much operational disturbance is caused by poor connections in the electrical circuit. Make sure connections are in order.

Check connections regularly for damage at insulating caps or looseness at plugs, etc.

Verdigris must be removed from lead plugs. Keep all screw/nut connections tight.



6.0 Long live Logitilt...

Regular inspection and the replacement of worn or defective parts in good time will prolong the life of the Logitilt.

“Prevention is better than repair”, therefore ensure:

- Correct usage
- Regular cleaning
- Periodic safety and service inspection

6.1 Lubrication and hydraulic oil



Under normal conditions the Logitilt requires no lubrication.

All ball bearings are sealed and lubricated for life and moving parts have selflubricating bearings or are treated with molybdenum disulphide grease. The hydraulic system is filled with hydraulic oil of viscosity class ISO VG 15. An additive is added to the oil. The concentrate reduces friction and wear and protects against corrosion. Pre-mixed hydraulic oil with additive is available from the distributor.

The oil is suitable for use in the temperatures range - 10° to +50° C. A thinner oil is recommended for temperatures lower than -10° C (if necessary, contact your distributor).

The hydraulic oil must be changed every second year.

6.2 Oil change

- Remove the hydraulic motor and pour the oil out of the filling hole.
- or
- Remove the oil by suction.

Oil filling:

Fil through the oil hole.

Oil quantity = 0.9 litre

6.3 Bleeding the hydraulic system

With a load of 50-100 kg, proceed as follows:

Lift to top position, tilt forks up and down, lower forks to bottom position.

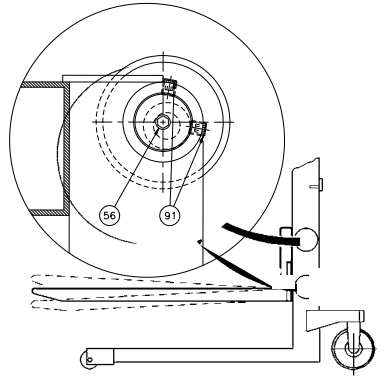
Repeat this procedure 2-3 times.

6.0 Længe leve Logitilt

6.4 Fork adjustment

Two of the rollers on the fork bracket are fitted on eccentric pins so that they can be adjusted. The adjustable rollers are uppermost.

1. Loosen set screw pos. 91 (5 mm key width).
2. Eccentric pin pos. 56 (8 mm key width) can now be turned to give the necessary fork adjustment.
3. Adjustment must be made on both sides to ensure uniform loading of the rollers.





7.0 Good service after purchase

7.1 Ordering spare parts

The correct spare parts are obtainable from your dealer.

- When ordering, please state:
- Serial number of the product•
- Type and width/length of the product•
- Spare part no. Please find spare part no. on www.logitrans.com.

7.2 Warranty/Compensation

Spare parts delivered during the warranty period will be invoiced. A credit note will be sent immediately after we have received and tested the defective parts and found that the warranty conditions have been met.

7.3 Service and repair

You should be able to make adjustments and perform minor repairs on the spot. However, major repairs should be left to the dealer who has well-trained personnel and the necessary special tools.

7.4 Warranty

The warranty covers material and assembly defects which, subject to inspection by us or our representative, are deemed to be faults or deficiencies that prevent normal use of the parts concerned. Such affected parts shall be sent to your Logitrans dealer carriage paid within the warranty period in force at the time in question, together with a copy of the documentation for the service performed (B284 - see the back page). The warranty does not cover normal wear and adjustments. The warranty period is based on singleshift working.

The warranty shall no longer apply if

- the product has been used incorrectly,
- the product is used in environments for which it was not designed,
- the product has been overloaded,
- replacements of parts have been made incorrectly or original parts have not been used and consequential damages have arisen,
- if the product is changed or accessories, not being approved by Logitrans, are used,
- it can not be proved that a qualified technician has performed the service check according to the requirements stated in the instruction manual (see the back page).

7.5 Liability exemption

The manufacturer accepts no responsibility for personal injury or material damage arising from deficiencies, defects or improper usage. The manufacturer accepts no responsibility for lost earnings, operating losses, lost time, lost profits or similar indirect losses incurred by the purchaser or a third party.

Periodic service check

Service check is required once each year, or at least for every 250 hours of operation.

The service check is to be performed on the basis of form no. B280 and proved on form no. B284. Forms and instructions for the service check are available at your dealer.

Periodic safety inspection

Safety inspection should be performed by the dealer or other qualified persons at least once each year, unless local regulations state otherwise.

The safety inspection to be performed on the basis of form no. B278 and proved on form no. B284. Forms and instructions for the service check are available at your dealer.

LTE-L-EN
010616

S982