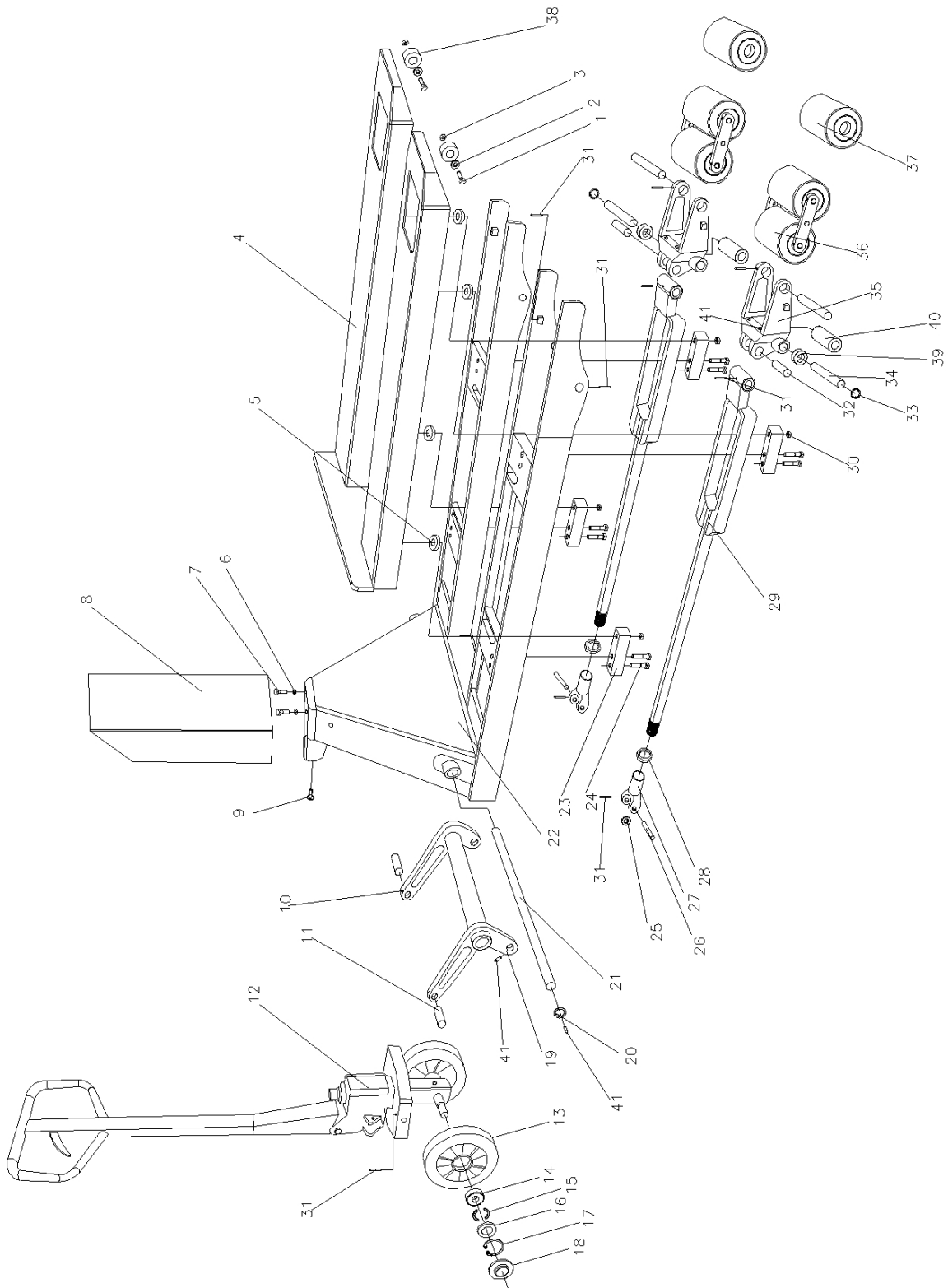


# **Spare parts list**

# **Ersatzteillisten**

**WSP 2200 Weighing truck**  
**WSP 2200 Handhubwagen mit**  
**Waage**

**Spare part list for weighing truck WSP 2200**  
**Ersatzteilliste Handhubwaage, Konstruktion WSP 2200**

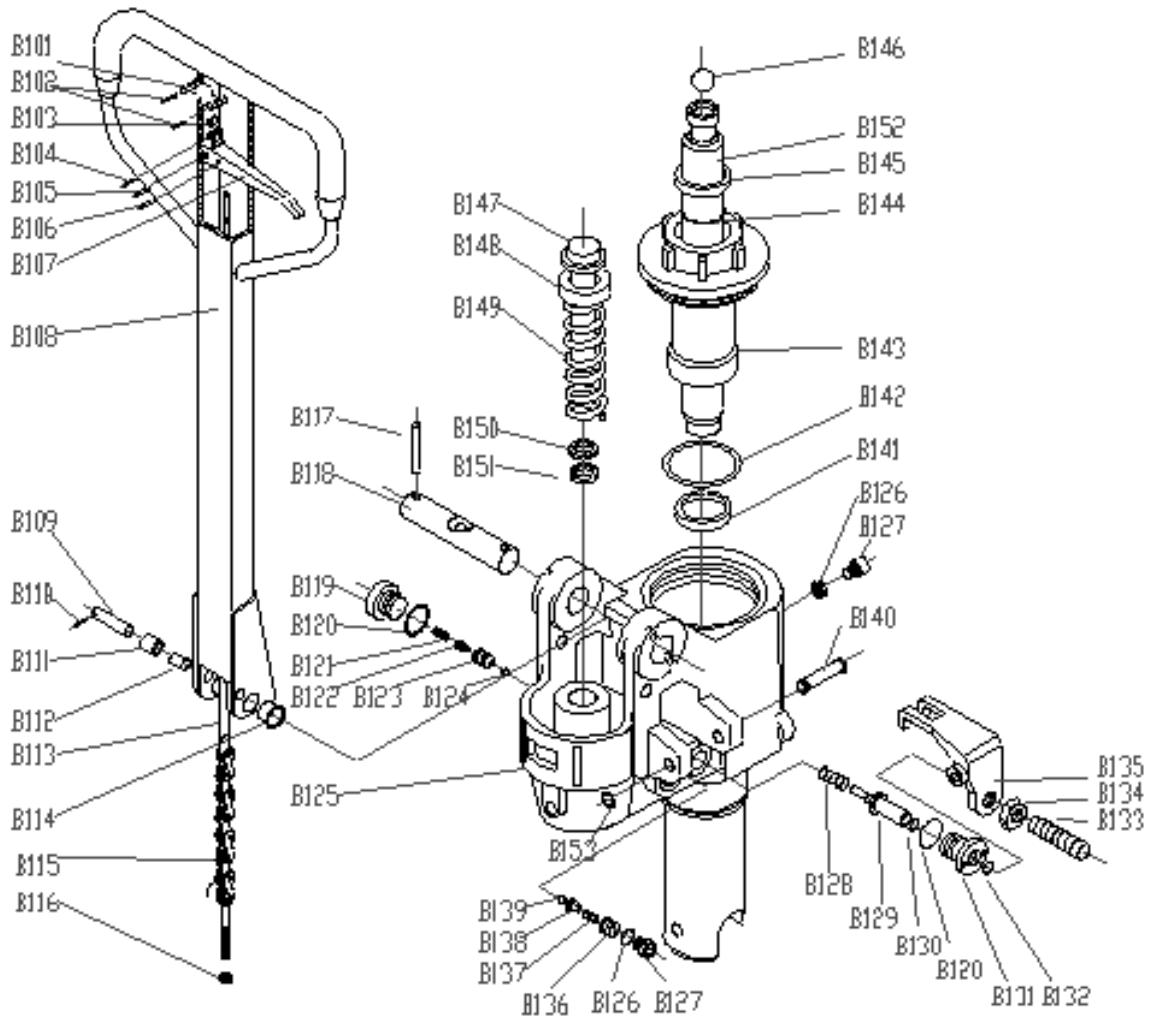


**Position      Article      Artikel      Anzahl      Artikel-**  
**Nr.:**

1.	Screw	Schraube		2	171700000100
2.	Washer	Scheibe		2	171700000200
3.	Nut	Mutter		2	171700000300
4.	Weighing Fork	Wägegabel		1	171700000400
5.	Washer	Scheibe		4	171700000500
6.	Washer	Scheibe		2	171700000600
7.	Screw	Schraube		2	171700000700
8	Indicator Housing	Gehäuse		1	171700000800
9.	Bolt	Bolzen		1	171700000900
10.	Lifting Assembly	Hebegelenk		2	171700001000
11.	Bolt	Bolzen		2	171700001100
12.	Hydraulic Unit	Hydraulik		1	171700001200
13.	Wheel, Rubber	Lenkrad Gummi		2	171700001300
14.	Bearing	Kugellager		2	171700001400
15.	Halv washer	Halbscheibe		1	171700001500
16.	Washer	Scheibe		2	171700001600
17.	Ring	ring		2	171700001700
18.	Shutter	Abedeckung		2	171700001800
19.	Ring	Ring		1	171700001900
20.	Ring	ring		2	171700002000
21.	Axle	Achse		1	171700002100
22.	Frame	Grundgestell		1	171700002200
23.	Oadcell	Wägezelle		4	171700002300
24.	Screw	Schraube		8	171700002400
25.	Washer	Scheibe		8	171700002500
26.	Bolt	Bolzen		2	171700002600
27.	Fork	Gabel		2	171700002700
28.	Ring	Ring		2	171700002800
29.	Rod Assembly	Schubstange		2	171700002900
30.	Nut	Mutter		4	171000003000
31.	Pin	Sicherung		16	171700003100
32.	Bolt	Bolzen		2	171700003200
33.	Ring	Ring		2	171700003300
34.	Bolt	Bolzen		4	171700003400
35.	Link Assembly	Radarm		2	171700003500
36.	Tandem wheel	Tandemrad		2	171700003600
37	Single wheel	Einzelrad		2	171700003700
38	Roller	Rolle		2	171700003800
39	Washer	Scheibe		4	171700003900
40	Bush	Buchse		2	171700004000
41	Lubrication nipple	Schmiernippel		8	171700004100

# Spare part list for weighing truck WSP 2200

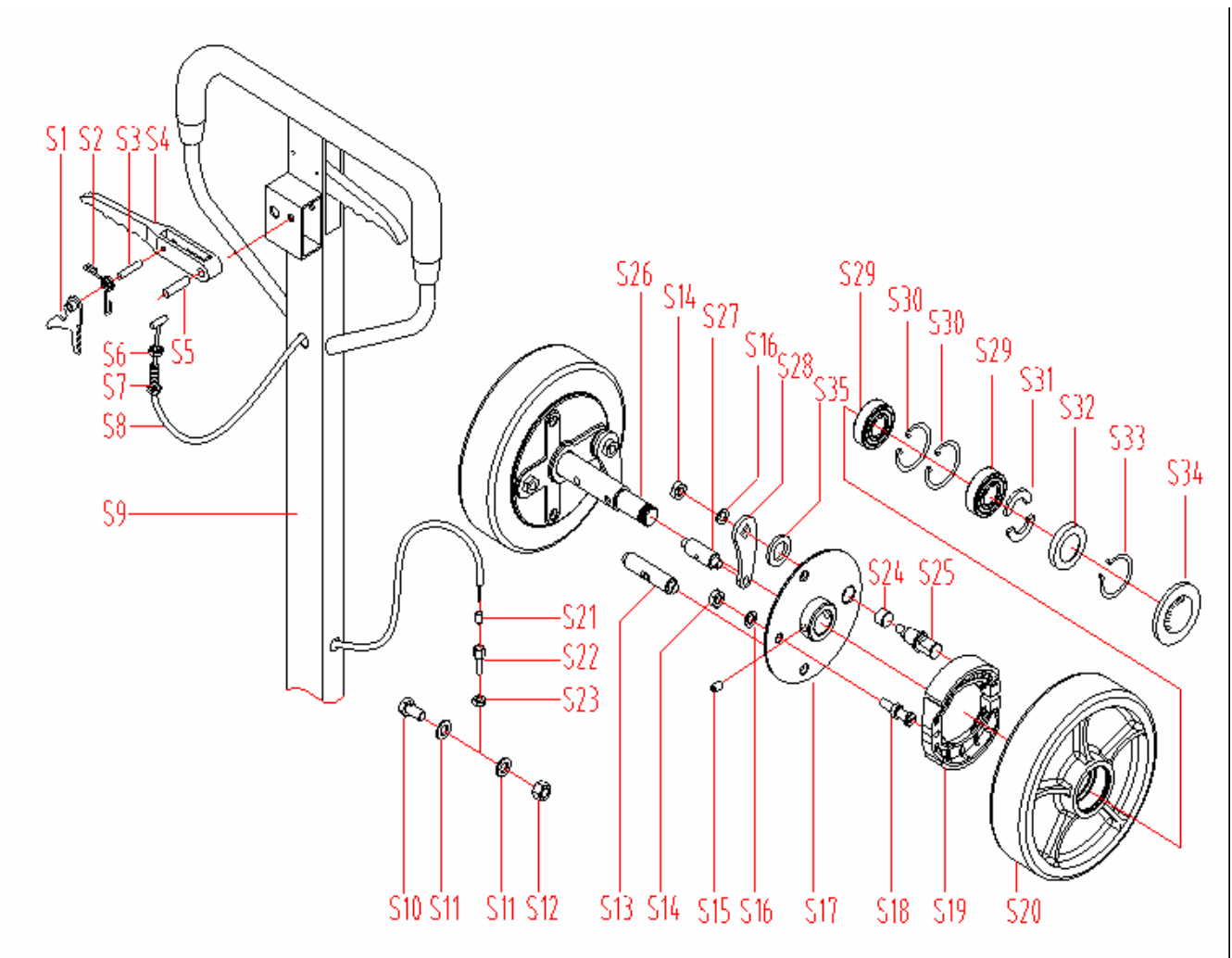
## Ersatzteilliste Handhubwaage, Konstruktion WSP 2200



<b>Position Nr.:</b>	<b>Article</b>	<b>Artikel</b>	<b>Anzahl</b>	<b>Artikel-</b>
B101	Spring	Feder	1	1717000B1010
B102	Pin	Stift	2	1717000B1020
B103	Roller	Rolle	1	1717000B1030
B104	Pin	Stift	1	1717000B1040
B105	Pin	Stift	1	1717000B1050
B106	Pin	Stift	1	1717000B1060
B107	Handle	Griff	1	1717000B1070
B108	Handle tube	Griff Rohr	1	1717000B1080
B109	Shaft	Welle	1	1717000B1090
B110	Pin	Stift	1	1717000B1100
B111	Roller	Rolle	1	1717000B1110
B112	Bush	Buchse	1	1717000B1120
B113	Pull Polc		1	1717000B1130
B114	Bush	Buchse	2	1717000B1140
B115	Chain	Kette	1	1717000B1150
B116	Nut	Mutter	1	1717000B1160
B117	PIN	Stift	2	1717000B1170
B118	Shaft	Welle	1	1717000B1180
B119	Plug	Stecker	1	1717000B1190
B120	Washer	Scheibe	2	1717000B1200
B121	Spring	Feder	1	1717000B1210
B122	Spindle	Spindel	1	1717000B1220
B123	Seat	Sitz	1	1717000B1230
B124	Ball	Kugel	1	1717000B1240
B125	Base	Platte	1	1717000B1250
B126	Washer	Scheibe	2	1717000B1260
B127	Pin	Stift	2	1717000B1270
B128	O-Ring	O-Ring	1	1717000B1280
B129	Pin	Stift	1	1717000B1290
B130	O-Ring	O-Ring	1	1717000B1300
B131	Axle Sleeve	Buchse	1	1717000B1310
B132	O-Ring	O-Ring	1	1717000B1320
B133	Bolt	Schraube	1	1717000B1330
B134	Nut	Mutter	1	1717000B1340
B135	Lever Plate	Platte	1	1717000B1350
B136	Bolt	Schraube	1	1717000B1360
B137	Spring	Feder	1	1717000B1370
B138	Ball Base	Schale	1	1717000B1380
B139	Steel Ball	Kugel	1	1717000B1390
B140	Pin	Stift	1	1717000B1400
B141	Y-Ring	Y-Ring	1	1717000B1410
B142	O-Ring	O-Ring	1	1717000B1420
B143	Cylinder Cap	Kappe	1	1717000B1430
B144	O-Ring	O-Ring	1	1717000B1440
B145	Dust Ring	Ring	1	1717000B1450
B146	Y-Ring	Y-Ring	1	1717000B1460
B147	Pump Plunger		1	1717000B1470
B148	Washer	Scheibe	1	1717000B1480
B149	Spring	Feder	1	1717000B1490
B150	Dust Ring	Ring	1	1717000B1500
B151	Y-Ring	Y-Ring	1	1717000B1510
B152	Piston Rod	Stange	1	1717000B1520
B153	Retaining Ring for Axle	Ring	1	1717000B1530

# Spare part list for weighing truck WSP 2200

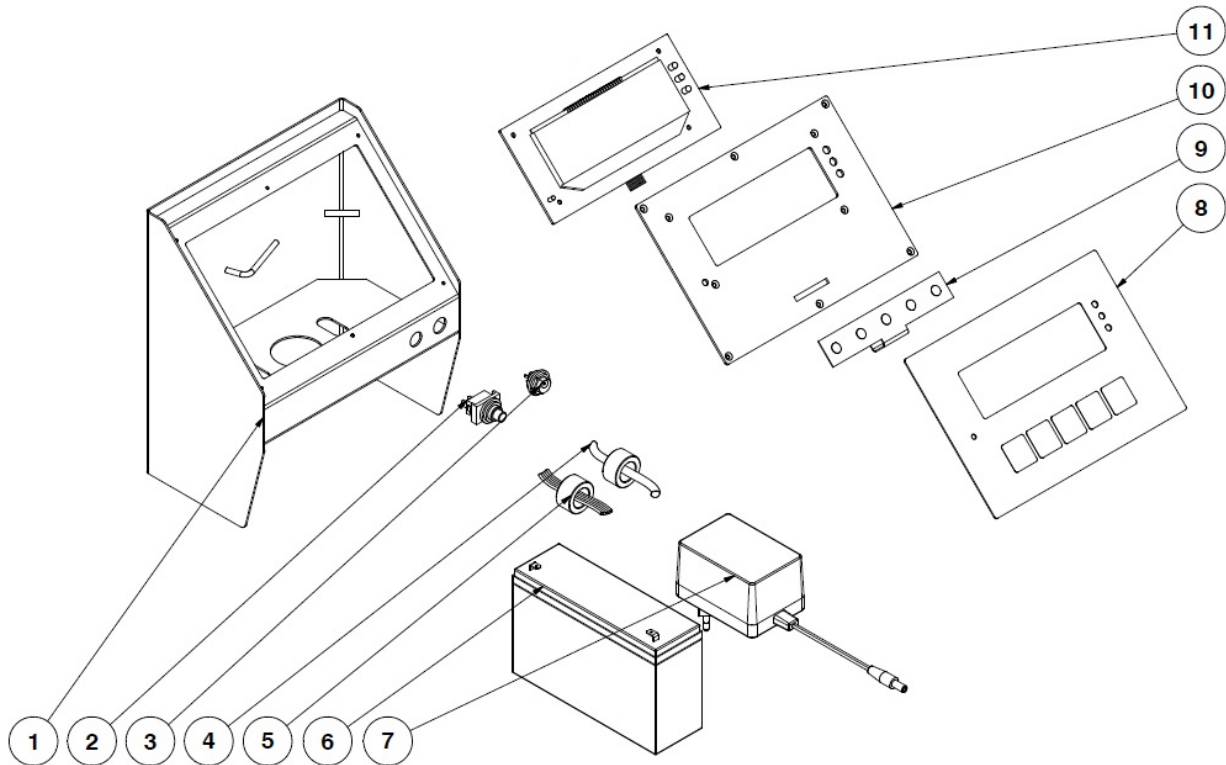
## Ersatzteilliste Handhubwaage, Konstruktion WSP 2200



**Position**    **Article**                      **Artikel**                                      **Anzahl**                      **Artikel-**  
**Nr.:**

S1	Locker	Endplatte		1	17170000S010
S2	Spring	Feder		1	17170000S020
S3	Spring PIN	Pin		1	17170000S030
S4	Handle	Griff		1	17170000S040
S5	Spring Pin	Pin		1	17170000S050
S6	Nut	Mutter		1	17170000S060
S7	Bolt	Bolzen		1	17170000S070
S8	Brake Ling	Verbindung		1	17170000S080
S9	Handle Tube	Rohr		1	17170000S090
S10	Screw	Schraube		1	17170000S100
S11	Washer	Scheibe		2	17170000S110
S12	Nut	Mutter		1	17170000S120
S13	Shaft	Welle		1	17170000S130
S14	Nut	Mutter		4	17170000S140
S15	Bolt	Bolzen		4	17170000S150
S16	Washer	Scheibe		4	17170000S160
S17	Plate of Brake	Bremsscheibe		2	17170000S170
S18	Screw	Schraube		2	17170000S180
S19	Plece of Brake	Gehäuse		2	17170000S190
S20	Wheel	Rad		2	17170000S200
S21	Tube	Rohr		1	17170000S210
S22	Bolt	Bolzen		1	17170000S220
S23	Nut	Mutter		1	17170000S230
S24	Bush	Buchse		2	17170000S240
S25	Shaft	Welle		2	17170000S250
S26	Shaft	Welle		1	17170000S260
S27	Shaft	Welle		1	17170000S270
S28	Leer Plate	Platte		2	17170000S280
S29	Bearing	Kugellager		4	17170000S290
S30	Ring for Hole	Ring		4	17170000S300
S31	Half Cirgue	Halbring		4	17170000S310
S32	Washer	Scheibe		2	17170000S320
S33	Ring for Axle	Ring		2	17170000S330
S34	Dust cover	Abdeckung		2	17170000S340
S35	Washer	Scheibe		2	17170000S350

**Spare part list for weighing truck, indicator WSP 2200**  
**Ersatzteilliste Handhubwaage, Anzeige WSP 2200**



Position	Article	Artikel	Anzahl	Artikel-Nr.:
1	Housing	Schrank	1	521900000600
2	Push switch	Druckschalter	1	51E700001000
3	Charger jack	Ladebuchse	1	51E700000003
4	Load cell connection cable	Wägezellen Anschlusskabel	1	-----
5	Power cord	Spannungsversorgungskabel	1	51E700003000
6	Rechargeable battery	Akku	1	171600000001
7	Adapter	Ladegerät	1	719000011000
8	Front foil	Anzeigenfolie	1	521900000600
9	Keypad	Tastatur	1	521900000500
10	Front plate	Frontplatte	1	521900000008
11	Mainboard	Platine	1	521900000700