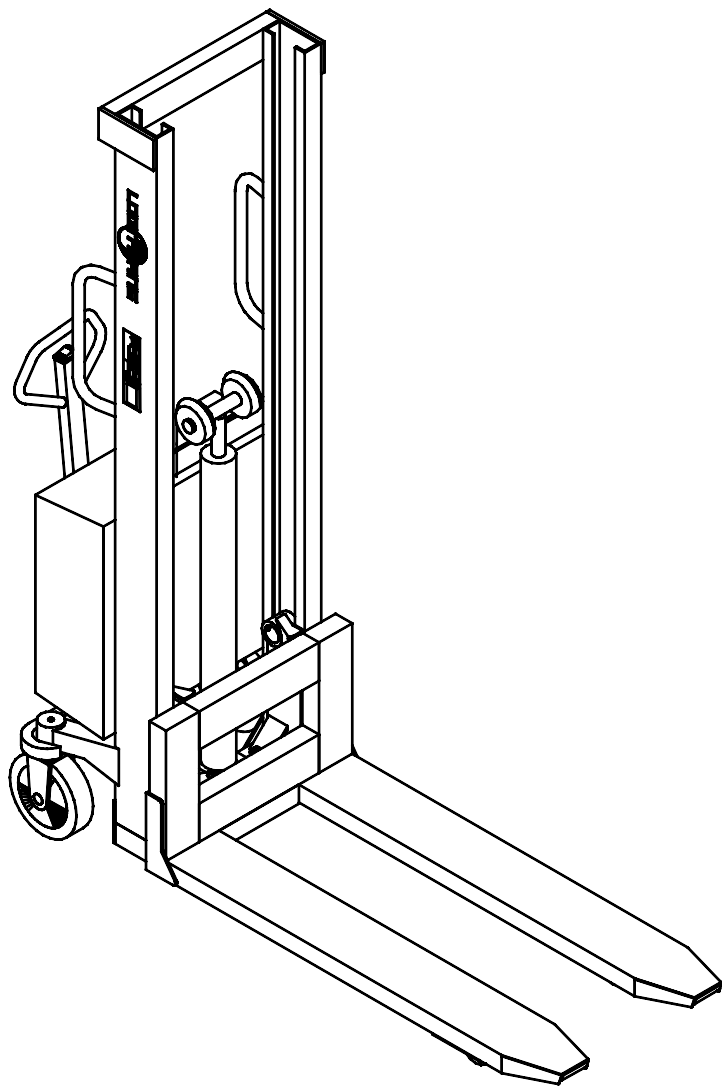


EHS 1000RF-SEMI





1.0 Before the first lift...

The **Logitrans Stacker** is manufactured in accordance with safety directives.

Among the subjects dealt with in this **Instruction Manual** are:



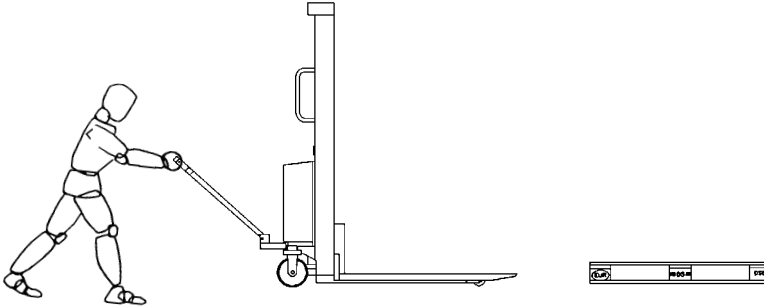
- **Proper application**
- **Physical limitations of the product**
- **Risks with improper use**

Therefore please read this Instruction Manual carefully!



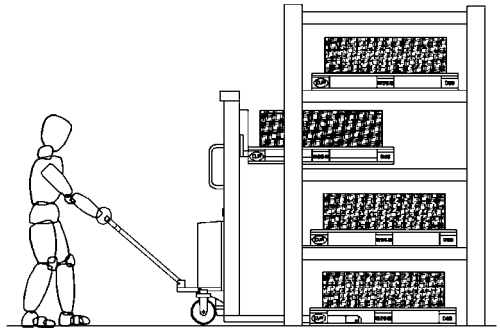
2.0 Functions and identifications

2.1 Handling of pallets

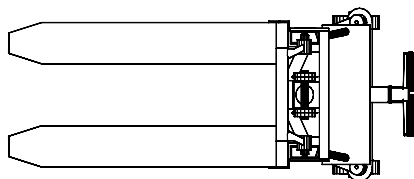
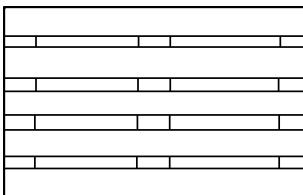


For proper operation,
stand behind the handle!

Push/pull - raise/lower



EHS RF-SEMI





3.0 Optimum safety

3.1 Avoid overloads

The maximum load must not be exceeded.

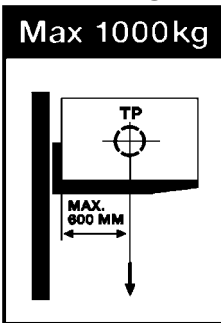
Remember, the stacker is designed for evenly distributed load, - goods on pallets etc. If the forks are pointloaded on one side there is a risk of bending.

3.2 Avoid offset loads

The load must be evenly distributed. The maximum centre of gravity distance from the front of the fork mast (given on the truck) must not be exceeded. A greater distance will reduce the level of safety and increase the risk of toppling.

Goods on pallets, etc. must be properly secured so that they cannot fall off during transport, when the truck is lifted, or when the truck must remain lifted for a time.

3.3 Marking



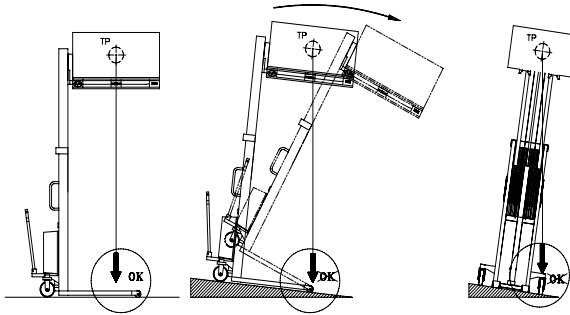
The mast lifting capacity and the corresponding centre of gravity distance are given by the pictogram on the side of the mast.

The lifting capacity of the mast is the same as the max. lifting capacity of the product.

Max. lifting capacity is set on the safety valve in the product.

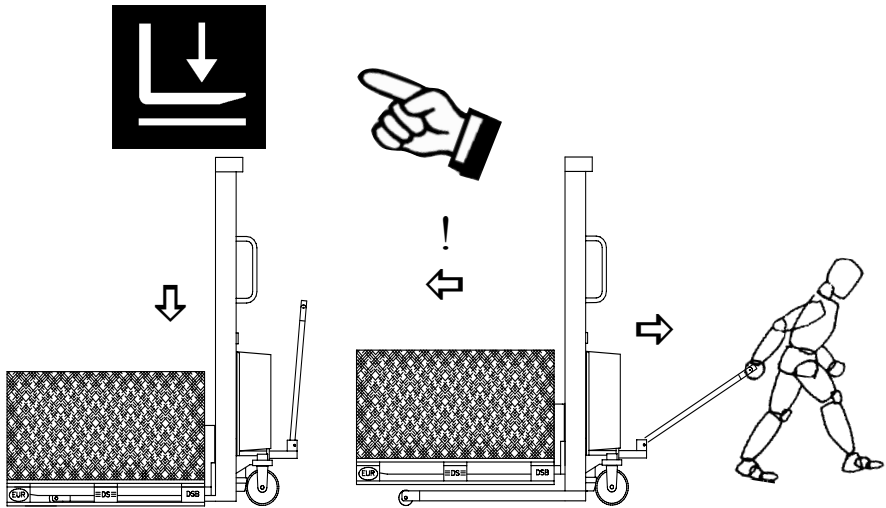
3.0 Optimum safety

3.4 Transport with load



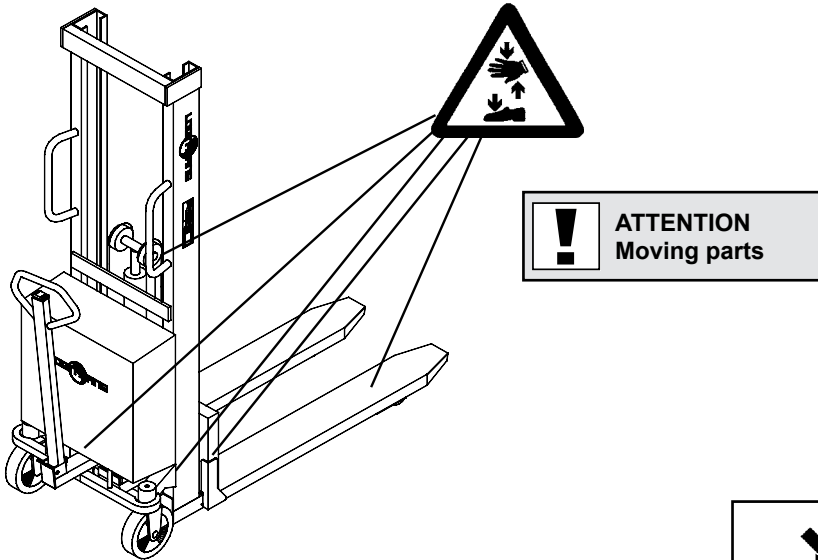
The stacker is designed for use on even and level floor. During transport the forks shall be raised as little as possible. Transport with raised forks should be made over the shortest possible distances and at low speed.

3.5 Emergency braking



If it becomes necessary to use the load as a brake to prevent the stacker running loose, activate the DOWN button quickly until the load reaches the ground.

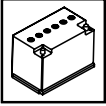
3.0 Optimum safety



Safety regulations

- Never walk under a raised load!
- Before lowering the forks, make certain that no foreign elements can hinder the free lowering of the forks.
- The stacker is designed for use on an even and level floor.
- During transport the forks shall be raised as little as possible.
- Transport with raised forks should be made over the shortest possible distances and at low speed.
- Check that the chains lift equally. They shall be equally tight when the forks are loaded.
- Chains and chain bolts must not be damaged. Chains that have become permanently stretched (max. 2% of original length) must be scrapped.





4.0 There must be a current supply...

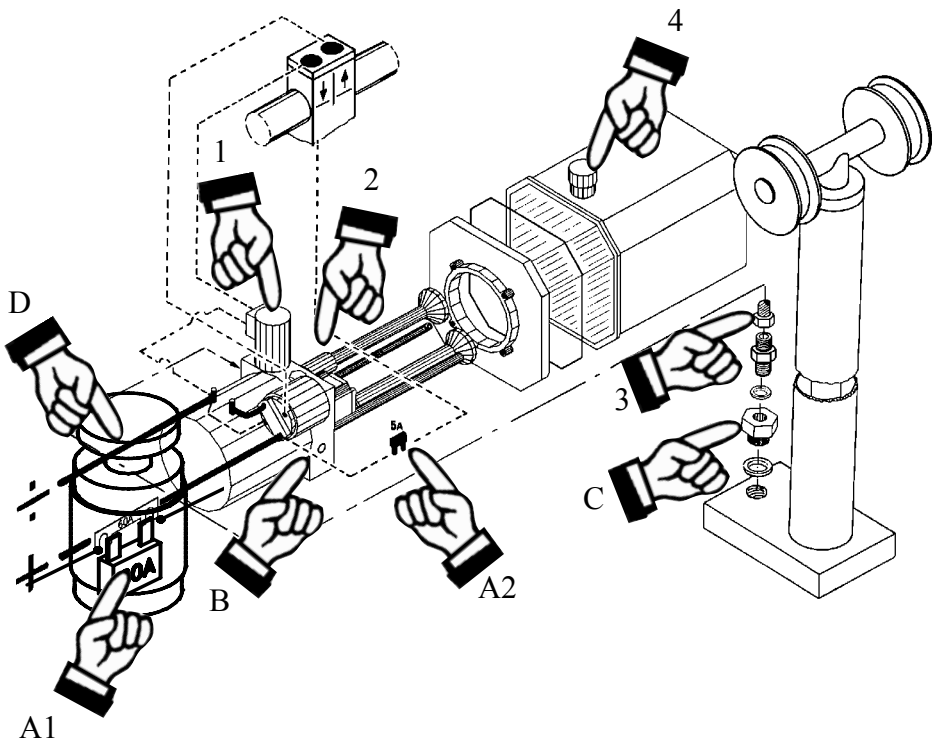
4.1 Fuses

A: Fuses: motor protector and protection against electrical overload.

B: Safety/pressure relief valve: protection against mechanical and hydraulic overload. Set by the manufacturer at the maximum design load (see product name plate).

C: Hose safety valve: protection against load “falling” in the event of hose fracture.

D: Emergency stop: disconnects the main current.



4.0 There must be a current supply...

4.2 Fuses - replacement

There are two fuses in the electrical circuit.

- See illustration under point 4.1

80 amp fuse in main supply from battery
(location: see A1, point 4.1)

5 amp fuse in control current circuit
(location: see A2, point 4.1)

Replacement:

Before replacing fuse, disconnect battery + pole. The old fuse can then be removed and replaced by a new one of the same size.

Do not insert a larger fuse; the fuse acts as a protector for the pump motor.

Find out why fuses blow!

4.3 Wiring connections

Much operational disturbance is caused by poor connections in the electrical circuit. Make sure connections are in order.

Check connections regularly for damage at insulating caps or looseness at plugs, etc. Verdigris must be removed from lead plugs. Keep all screw/nut connections tight.



5.0 Long live the stacker

Regular inspection and the replacement of worn or defective parts in good time will prolong the life of the stacker. "Prevention is better than repair", therefore ensure:

- Correct usage
- Regular cleaning
- Periodic safety and service inspection

5.1 Lubrication and hydraulic oil



All ball bearings are lubricated with a lubricating grease for the food industry, and all moving parts are treated with a grease for the food industry.

The hydraulic system is filled with hydraulic oil of viscosity class

ISO VG 15. An additive is added to the oil. The concentrate reduces friction and wear and protects against corrosion.- Pre-mixed hydraulic oil with the additive can be bought at the dealers. The oil is suited for use in the temperature range -10°C to +50°C. A thinner oil is recommended for temperatures below -10°C (please contact a dealer).

The hydraulic oil must be changed every second year.

5.2 Oil change

Draining the oil:

1. Bring the forks down to the lowest position.
2. Most of the oil can be drained by loosening the hydraulic hose union and briefly activating the hydraulic pump with the switch.
3. Remaining oil can be drained from the oil tank by taking off the twelve clips on the pump and removing the tank.

Oil filling:

4. Fill oil through the filling hole (point 4.1 pos. 4) on the tank.
5. Oil quantity:

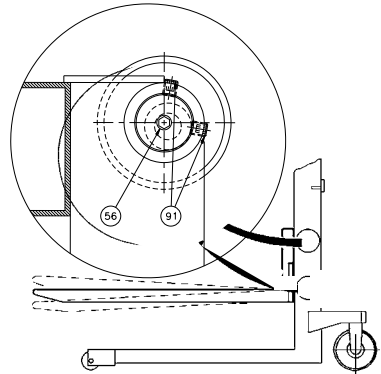
| | |
|---------------|-----------------|
| EHS 1000/1200 | approx. 3 litre |
| EHS 1000/1400 | approx. 3 litre |
| EHS 1000/1600 | approx. 3 litre |
6. Refit the filling cap and bleed the system (point 5.6).

5.0 Long live the stacker

5.3 Fork adjustment

Two of the rollers on the fork bracket are fitted on eccentric pins so that they can be adjusted. The adjustable rollers are uppermost.

1. Loosen screw (pos. 91)
(key width 5 mm).
2. Eccentric pin (pos. 56) (key width 8 mm)
can now be turned to give the necessary
fork adjustment.
3. Adjustment must be made on both sides to
ensure uniform loading of the rollers.

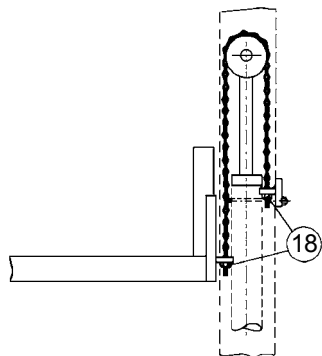


5.4 Adjustment of lifting chain

The chains shall be adjusted so that they lift equally.
Shall be equally tight.

Adjustment are made on nuts, pos. 18
(nut M12, key width 19 mm).

With straddle versions, chains keep
the forks clear of the floor.

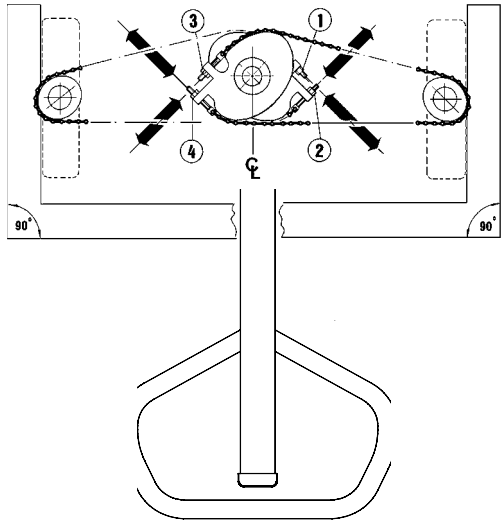
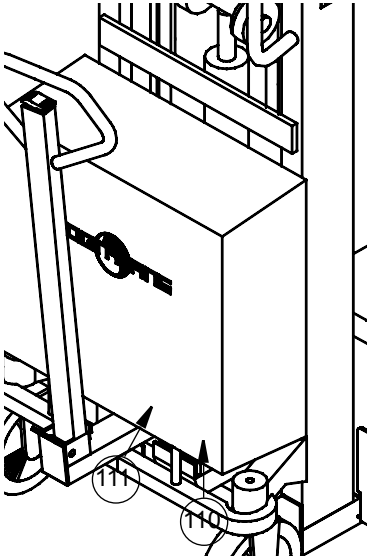


5.0 Long live the stacker

5.5 Adjustment of steering wheel chain

Access to the chain is gained by removing the chain guard.

- Remove the two screws (pos. 111) and two screws (pos. 110) (4 mm Allen key).
- Set the handle in its mid position.
- Adjust nuts (1 and 2, 3 and 4) and bring the wheels into parallel.



5.6 Bleeding the hydraulic system

With a load of 50-100 kg, the forks must be raised and lowered to top and bottom position 2-3 times.

5.7 Cleaning



The product should not be cleaned with cleaning materials too frequently, as this can lead to corrosion on the galvanised parts.

The electric parts on these products are protected against moisture, but do not stand direct contact with water.

Switches and other external parts are enamelled, so that they can stand moisture.

When cleaning the stacker, do not direct the jet onto bearings and seals. Otherwise the grease will be washed out and the life of the equipment shortened.



6.0 Good service after purchase

6.1 Ordering spare parts

The correct spare parts are obtainable from your dealer.

When ordering, please state:

- Serial number of the product
- Type and width/length of the product
- Spare part no. Please find spare part no. on www.logitrans.com.

6.2 Warranty/Compensation

Spare parts delivered during the warranty period will be invoiced. A credit note will be sent immediately after we have received and tested the defective parts and found that the warranty conditions have been met.

6.3 Service and repair

You should be able to make adjustments and perform minor repairs on the spot. However, major repairs should be left to the dealer who has well-trained personnel and the necessary special tools.

6.4 Warranty

The warranty covers material and assembly defects which, subject to inspection by us or our representative, are deemed to be faults or deficiencies that prevent normal use of the parts concerned. Such affected parts shall be sent to your Logitrans dealer carriage paid within the warranty period in force at the time in question, together with a copy of the documentation for the service performed (B284 - see the back page). The warranty does not cover normal wear and adjustments. The warranty period is based on singleshift working.

The warranty shall no longer apply if

- the product has been used incorrectly,
- the product is used in environments for which it was not designed,
- the product has been overloaded,
- replacements of parts have been made incorrectly or original parts have not been used and consequential damages have arisen,
- if the product is changed or accessories, not being approved by Logitrans, are used,
- it can not be proved that a qualified technician has performed the service check-according to the requirements stated in the instruction manual (see the back page).

6.5 Liability exemption


The manufacturer accepts no responsibility for personal injury or material damage arising from deficiencies, defects or improper usage. The manufacturer accepts no responsibility for lost earnings, operating losses, lost time, lost profits or similar indirect losses incurred by the purchaser or a third party.



7.0 Fault location key

When the stacker is used every day, adjustments and the replacement of worn parts might be necessary.

Adjustments and minor repairs can easily be made on the spot. Major repairs should, however, be carried through by the dealer who has a well-trained staff and the necessary special tools.



**Before asking the dealer for assistance...
...try the fault location key!**

Symptoms and observations

- A** Pump does not run when the UP button is pressed ___ _ _ _ _
- B** Truck does not lift when the UP button is pressed ___ _ _ _ _
- C** Truck does not lift to max. height ___ _ _ _ _
- D** Forks fall after being raised ___ _ _ _ _
- E** Forks do not fall when DOWN button is pressed ___ _ _ _ _
- F** Forks cannot be lowered fully ___ _ _ _ _
- G** The stacker is unable to lift the max. load ___ _ _ _ _
- H** The stacker lifts slowly ___ _ _ _ _
- I** Forks do not lift horizontally ___ _ _ _ _
- J** Steering wheel does not drive evenly ___ _ _ _ _

Cause

Mending

| | | |
|----------|---|---------------------------------|
| | Oil deficiency | See point 5.1/5.2 |
| | Battery discharged | See separate instruction manual |
| | Fuse blown Pos. 4.1 pos. A1+A2 | See point 4.1/4.2 |
| | Leads defective | See point 4.3 |
| | Max. load exceeded | See point 3.1 |
| | Air in hydraulic system | See point 5.6 |
| | Pressure relief valve incorrectly adjusted point 4.1 pos. B | Contact the distributor |
| | Hyd. hose defective Point 4.1 pos. 3 | Contact the distributor |
| | Mast needs adjustment | See point 5.3/5.4 |
| | Valve damaged (solenoid and check valve) Point 4.1 pos. 1 and 2 | Contact the distributor |
| | Defective valves in pump | Contact the distributor |
| | Steering wheel out of adjustment | See point 5.5 |
| A | ● ● ● | |
| B | ● ● ● | |
| C | ● | |
| D | | ● ● |
| E | ● ● ● | ● |
| F | | ● |
| G | | ● |
| H | ● | ● |
| I | | ● |
| J | | ● |
| | <p>If the problem cannot be solved by using the fault location key... ...please contact your distributor!</p> | |

Periodic service check

Service check is required once each year, or at least for every 250 hours of operation.

The service check is to be performed on the basis of form no. B280 and proved on form no. B284. Forms and instructions for the service check are available at your dealer.

Periodic safety inspection

Safety inspection should be performed by the dealer or other qualified persons at least once each year, unless local regulations state otherwise.

The safety inspection to be performed on the basis of form no. B278 and proved on form no. B284. Forms and instructions for the service check are available at your dealer.