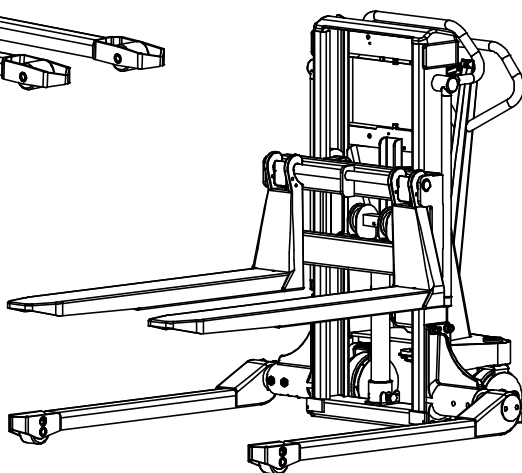
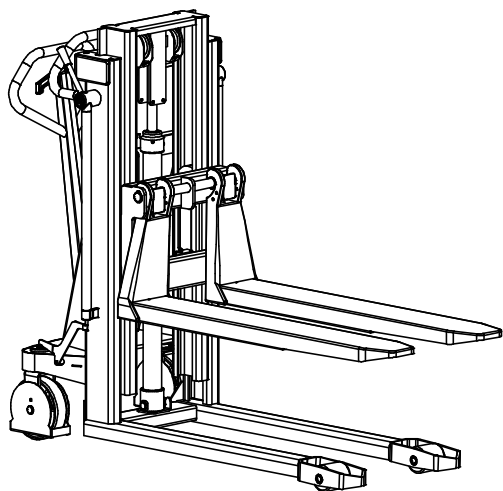


LOGIFLEX LF MINI / LFS MINI



EU DECLARATION CONFORMANCE

Manufacturer: **Logitrans A/S**
Hillerupvej 35
DK-6760 Ribe
Denmark

It is hereby declared that:

Machine: Productgroup: Logiflex

Type: LF Mini / LFS Mini


Year of manufacture/
Serial No:

- a) Has been manufactured in conformance with the stipulations of the:
- **Directive no. 2006/42/EC**
- b) Has been manufactured in conformance with the stipulations of the standard:
- **EN 3691-5**

Name: **Gitte K. Berg**

Position: **CEO**

Company: **Logitrans A/S**

Signature: 

Product type declaration of:

20.05.2016



Contents

1.0 Before the first lift...	4
2.0 Functions and identifications	5
3.0 How to operate the Logiflex	6
3.1 Handling of pallets	6
3.2 The four positions of the release lever	7
4.0 Optimum safety	8
4.1 Avoid overloads	9
4.2 Avoid offset loads	9
4.3 Safety valve/pressure relief valve	10
4.4 Driving loaded	10
4.5 Emergency braking	10
5.0 Long live the Logiflex	11
5.1 Lubrication and hydraulic oil	11
5.2 Filling in oil	11
5.3 Replacement of valve insert(s)	12
5.4 Seal leakage	12
5.5 Valve cone does not seal completely	12
5.6 Adjustment of steering wheel chains	13
5.7 Cleaning	13
5.8 Adjustment of the valve control system	14
5.9 Fork adjustment	14
5.10 Adjustment of lifting chain	15
5.11 Adjustment of side play	15
6.0 Good service after purchase	17
6.1 Ordering spare parts	17
6.2 Warranty/Compensation	17
6.3 Service and repair	17
6.4 Warranty	17
6.5 Liability exemption	17
7.0 Fault location key	18





1.0 Before the first lift...

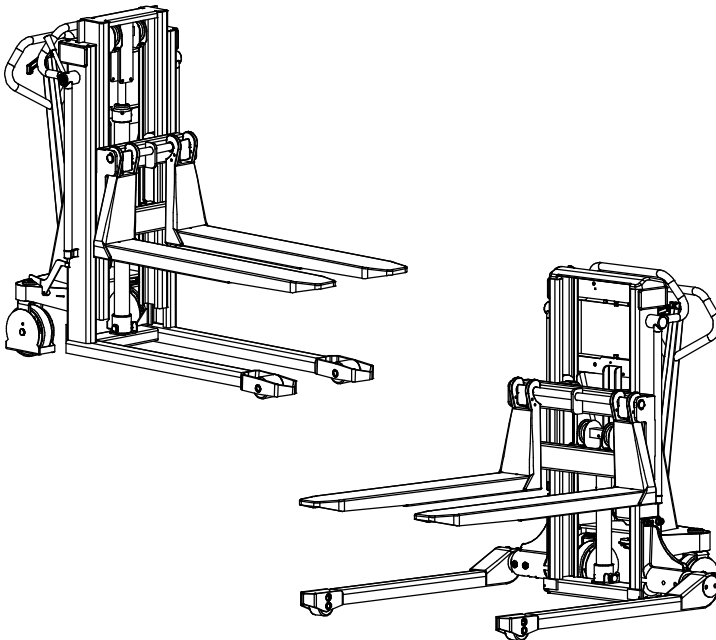
The Logiflex is manufactured in accordance with safety directives.

Among the subjects dealt with in this **Instruction Manual** are:

Therefore please read this Instruction Manual carefully!

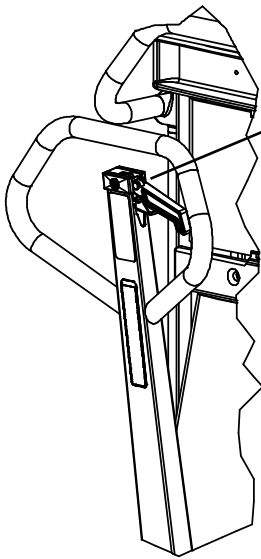


- Proper application
- Physical limitations of the product
- Risks with improper use





2.0 Functions and identifications



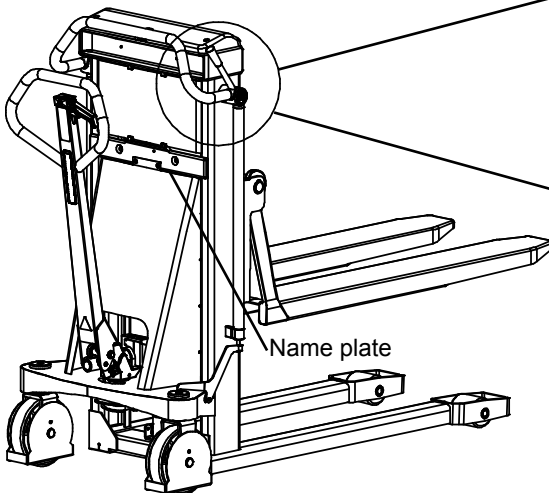
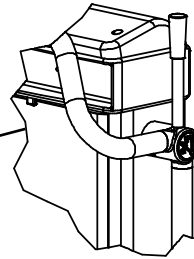
Release lever with four positions:

- Lowering
- Neutral
- Normal lift
- Quick lift

Released position

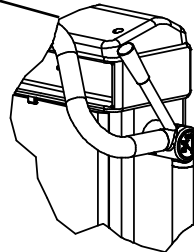
To release the brake:

1. Pull
2. Push



Name plate

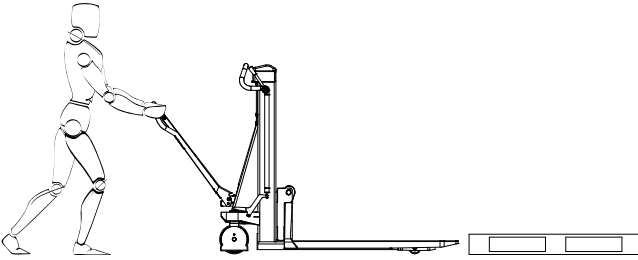
Braked position





3.0 How to operate the Logiflex

3.1 Handling of pallets



For proper operation,
stand behind the handle.

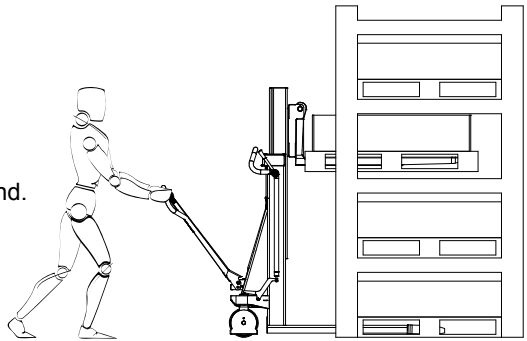
Push/pull - pump.

The forks will lift 330 mm before
the telescopic mast begins to extend.

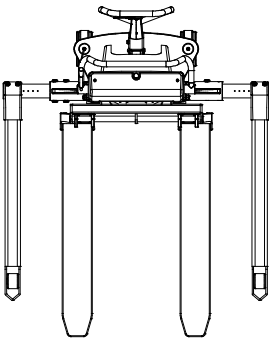
Valid for:

LF Mini 1650

LFS Mini 1620

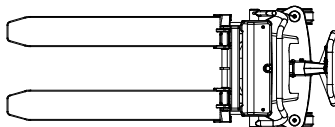
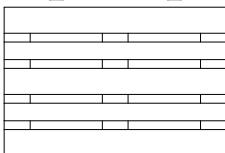


LFS Mini



When handling closed pallets...

- Use the straddle Logiflex!

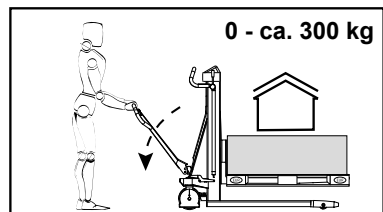
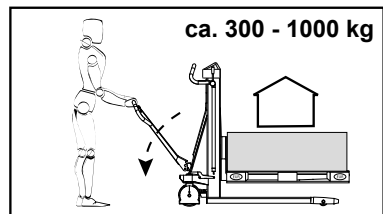
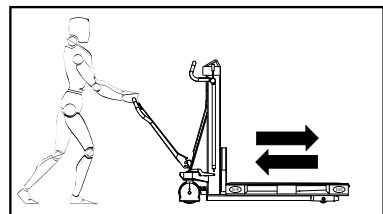
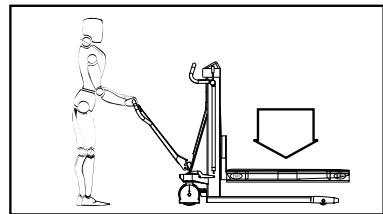
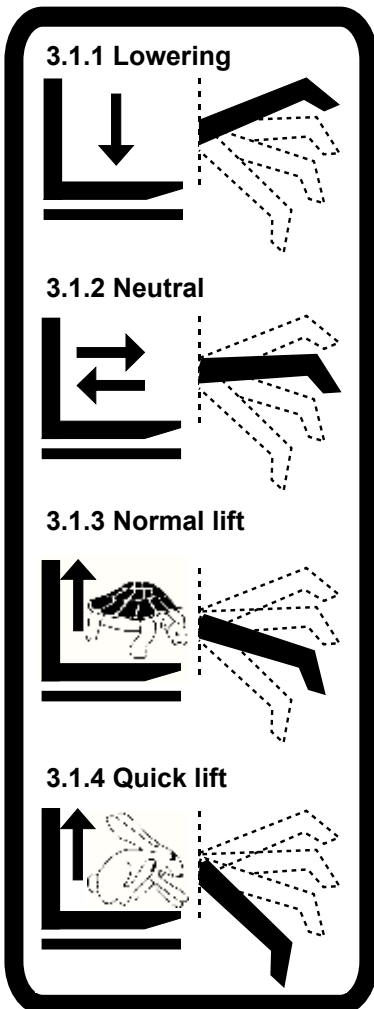


LF Mini

3.0 How to operate the Logiflex

3.2 The four positions of the release lever

1. Lowering
2. Neutral
3. Normal lift
4. Quick lift

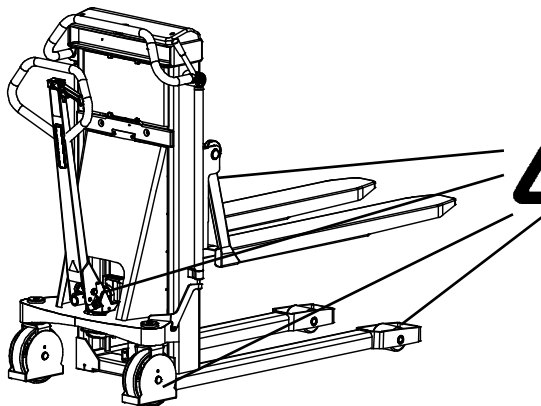




4.0 Optimum safety



ATTENTION
Moving parts

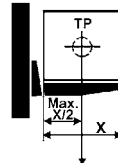


Safety regulations

- The Logiflex is designed for use on an even and level floor
- During transport the forks shall be raised as little as possible
- Transport with raised forks should be made over the shortest possible distances and at low speed
- Check that the chains lift equally.
- The chains shall be equally tight when the forks are loaded
- Never walk under a raised load!
- Before lowering the forks, make certain that no foreign elements can hinder the free lowering of the forks
- Chains and chain bolts must not be damaged. Chains that have become permanently stretched (max. 2% of original length) must be scrapped.



Max 1000kg



4.0 Optimum safety

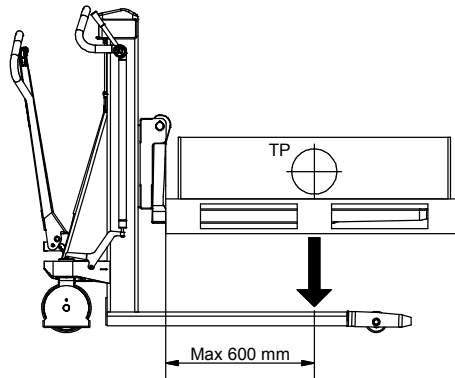
4.1 Avoid overloads

The maximum load must not be exceeded. **Remember**, that the Logiflex is designed for evenly distributed load, - goods on pallets etc. If the forks are point-loaded on one side, there is a risk of bending.

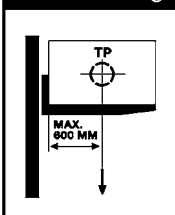
4.2 Avoid offset loads

The load must be distributed **evenly** on pallets or similar, - with a maximum distance of 600 mm between the centre of gravity and mast front. A greater distance reduces the level of safety and increases the risk of toppling.

Goods on pallets, etc. must be properly secured so that they cannot fall off during transport, when the truck is lifted, or when the truck must remain lifted for a time.



Max 1000kg



Marking

The mast lifting capacity and the corresponding centre of gravity distance are given by the pictogram on the side of the mast.

The lifting capacity of the mast is the same as the max. lifting capacity of the product.

Max. lifting capacity is set on the safety valve of the product.

NOTE! If the stacker is equipped with optional extras, the load limitation of the optional extras will be valid.

4.0 Optimum safety

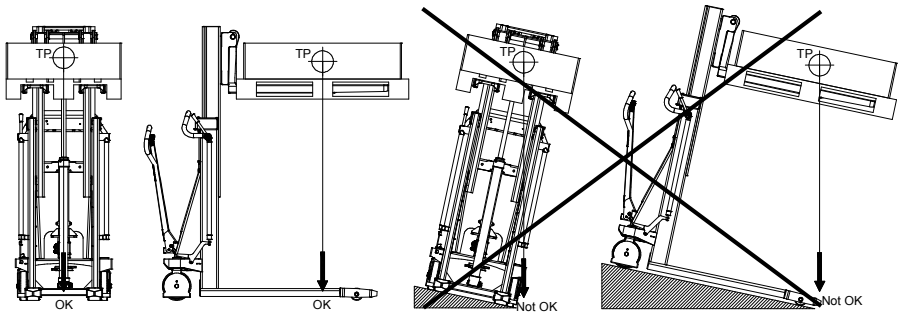
4.3 Safety valve/pressure relief valve

The pressure relief valves on the Logiflex are factory set for the maximum design load (**1000 kg**). The setting protects the truck from overload so that it cannot be damaged by the inadvertent lifting of loads being too heavy.

- If the pressure relief valve is defective, replace the entire valve insert.

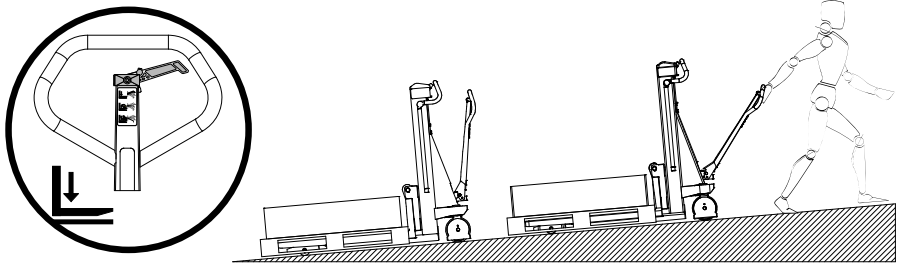
When a valve insert is ordered from a dealer, replacement instructions accompany the replacement part.

4.4 Driving loaded



The Logiflex is designed for use on an even and level floor. During transport the forks shall be raised as little as possible. Transport with raised forks should be made over the shortest possible distances and at a low speed.

4.5 Emergency braking



If it is necessary to use the load as a brake to prevent the Logiflex from running away, pull up the release lever quickly to lower the load to the ground.



5.0 Long live the Logiflex

Regular inspection and the replacement of worn or defective parts in good time will prolong the life of the Logiflex.

“Prevention is better than repair”, therefore ensure:

- Correct usage
- Regular cleaning
- Periodic safety and service inspection

5.1 Lubrication and hydraulic oil



Under normal operation conditions the Logiflex requires no lubrication. All ball bearings are sealed and lubricated for life and moving parts have self-lubricating bearings or are treated with grease. The hydraulic system is filled with hydraulic oil of the viscosity class ISO VG 10. An additive is added to the oil.

The concentrate reduces friction and wear and protects against corrosion. Pre-mixed hydraulic oil with additive is available from the dealer. The oil is suitable for use in the temperature range -10 to +50° C. A thinner oil is recommended for temperatures lower than -10°C (if necessary, contact your dealer).

5.2 Filling in oil

1. Bring the unloaded forks down to the lowest position.
2. Take off the rear cover.
3. Take off the filling cap and fill in the oil (no further than approx. 1cm from the top of the tank).
4. Oil quantity:

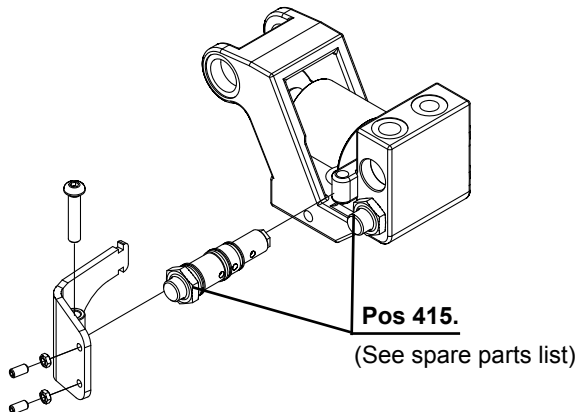
LF Mini 920 / LFS Mini 890	Approx 1,0	Liter
LF Mini 1650 / LFS Mini 1620	Approx 2,0	Liter

5. Be aware that the suction hose is placed minimum 2 mm above the bottom of the tank.

5.0 Long live the Logiflex

5.3 Replacement of valve insert(s)

If all fault remedy possibilities (see fault location key, point 7.0) have been tried without satisfactory results, the entire valve insert must be replaced.



When a new valve insert is ordered from a dealer, **replacement instructions** accompany the replacement part. Therefore order before replacing!

After replacement, adjust the oil quantity in the tank, as described under **Filling in oil** (point 5.2).

5.4 Seal leakage

Locate the point at which oil leakage appears and then replace defective seals. (See spare parts list).

5.5 Valve cone does not seal completely

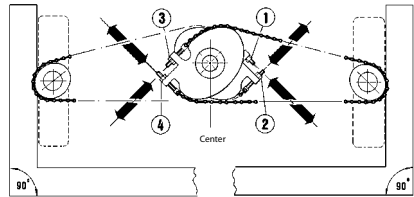
Pump quickly a few times so that oil quickly flows over the valve cone (best with a small load on the forks).

If this does not solve the problem, the valve insert must be replaced by a new one. (Replacement instructions accompany the new valve insert).

5.0 Long live the Logiflex

5.6 Adjustment of steering wheel chains

- Set the handle in its middle position
- Adjust the nuts (1, 2, 3 and 4) and bring the wheels into parallel.



5.7 Cleaning



When cleaning the Logiflex, do not direct the jet onto bearings and seals. Otherwise the grease will be washed out and the life of the equipment shortened.

Cleaning of the plastic screen (polycarbonate)

The screen is to be washed with slightly warm water added a neutral cleaning material, and afterwards washed with clean water. Use a soft sponge, a woollen cloth or a wash leather.



Never use sharp objects or solvent cleaners when cleaning.

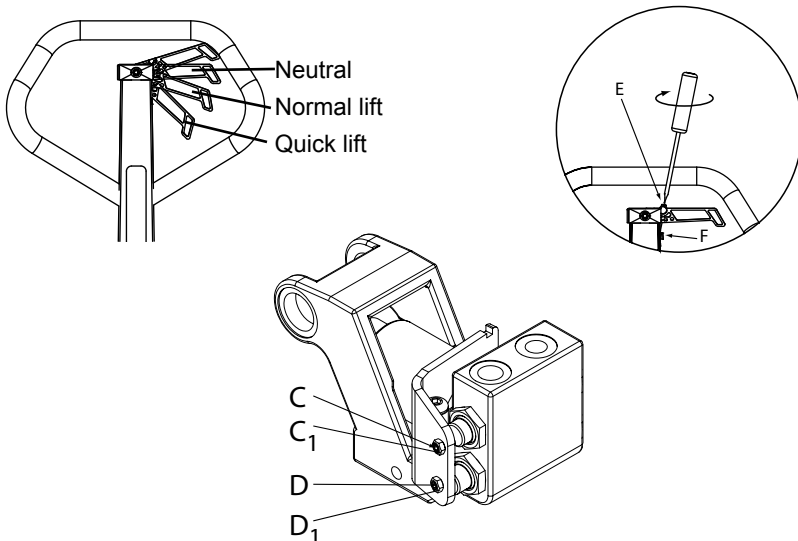
5.0 Long live the Logiflex

5.8 Adjustment of the valve control system

Procedure: Release arm with two adjusting screws.

Both adjusting screws „C“ and „D“ have to be turned, so that they do not touch the valves.

1. Place the release lever in the quick lift position.
Press screw „E“ and tighten, until the adjusting piece does not touch the cutting of the handle.
2. Place the release lever in the normal lift position.
Fasten the top adjusting screw „C“, until the pump movements get easy. When the position has been found, turn (tighten) further $\frac{1}{4}$ turn. Counter nut C1 is tightened finally.
3. Place the release lever in the neutral position.
Tighten the bottom adjusting screw „D“, until no lifting is performed by the pump movements of the handle.
When the position is found, tighten further $\frac{1}{4}$ turn.
Counter nut D1 is tightened finally.

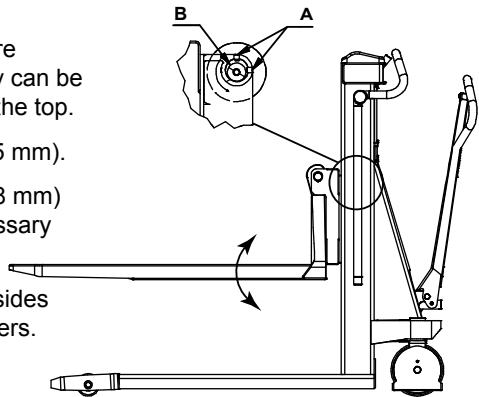


5.0 Long live the Logiflex

5.9 Fork adjustment

Two of the rollers on the fork bracket are mounted on eccentric pins, so that they can be adjusted. The adjustable rollers are at the top.

1. Loosen screw (pos. 91) (key width 5 mm).
2. Eccentric pins (pos. 56) (key width 8 mm) can now be turned to give the necessary fork adjustment.
3. Adjustment must be made on both sides to ensure uniform loading of the rollers.



5.10 Adjustment of lifting chain

The chains shall be adjusted so that

- they lift equally
- they are equally tight
- The lifting movement has to stop in the cylinder, before the mast rolls touch the top stop.

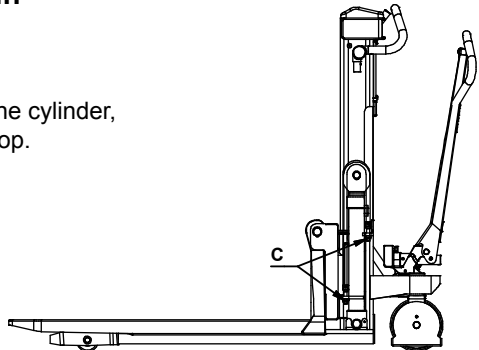
After adjusting, please check:

a: LF Mini:

The forks have to be placed above the wheels.

b: LFS Mini:

The forks are to be kept clear of the floor.

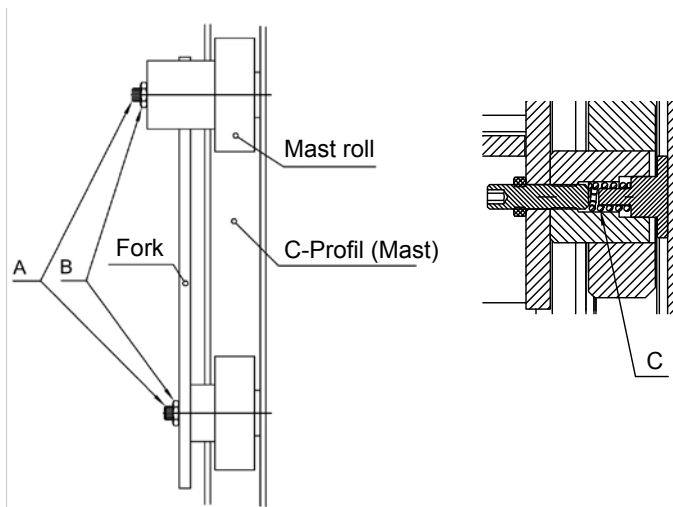


The nuts (pos. 18) are to be adjusted (nut M12, key width 19 mm).

5.0 Long live the Logiflex

5.11 Adjustment of side play (In the mast rolls of the right side of the fork bracket)

- 1: Screw (A) is loosened counter-clockwise, until resistance disappears.
- 2: Turn the screw clockwise, until resistance appears. The following 1.5 to 2.5 turns of the screw will be a tightening of the spring (C).
- 3: When a larger resistance appears, make 0.25 turn counter-clockwise, and the counter nut (B) will be tightened.
- 4: Pump the forks to its top position, and when lowering it has to slide to the bottom. If this is not the case, loosen screw A, make c. 0.5 turn counter-clockwise and repeat point 4.





6.0 Good service after purchase

6.1 Ordering spare parts

The correct spare parts are obtainable from your dealer.

When ordering, please state:

- Serial number of the product
- Type and width/length of the product
- Spare part no. Please find spare part no. on www.logitrans.com.

6.2 Warranty/Compensation

Spare parts delivered during the warranty period will be invoiced. A credit note will be sent immediately after we have received and tested the defective parts and found that the warranty conditions have been met.

6.3 Service and repair

You should be able to make adjustments and perform minor repairs on the spot. However, major repairs should be left to the dealer who has well-trained personnel and the necessary special tools.

6.4 Warranty

The warranty covers material and assembly defects which, subject to inspection by us or our representative, are deemed to be faults or deficiencies that prevent normal use of the parts concerned. Such affected parts shall be sent to your Logitrans dealer carriage paid within the warranty period in force at the time in question, together with a copy of the documentation for the service performed (B284 - see the back page). The warranty does not cover normal wear and adjustments.

The warranty period is based on singleshift working.

The warranty shall no longer apply if

- the product has been used incorrectly,
- the product is used in environments for which it was not designed,
- the product has been overloaded,
- replacements of parts have been made incorrectly or original parts have not been used and consequential damages have arisen,
- if the product is changed or accessories, not being approved by Logitrans, are used,
- it can not be proved that a qualified technician has performed the service check-according to the requirements stated in the instruction manual (see the back page).

6.5 Liability exemption

The manufacturer accepts no responsibility for personal injury or material damage arising from deficiencies, defects or improper usage. The manufacturer accepts no responsibility for lost earnings, operating losses, lost time, lost profits or similar indirect losses incurred by the purchaser or a third party.



7.0 Fault location key

When the Logiflex is used every day, adjustments and the replacement of worn parts might be necessary.

	Before asking the dealer for assistance... ...try the fault location key!
--	--

Symptoms and observations

- A** The forks move up and down with pump strokes _____
- B** The stacker does not lift to maximum height _____
- C** The load is difficult to pump with the handle in its normal position _____
- D** The forks do not lift quickly when the handle is placed in its quick position _____
- E** Forks cannot be lowered _____
- F** The forks sink after they have been raised _____
- G** The forks cannot be raised by repeated pumping attempts _____
- H** The forks do not raise at the first pump stroke, or the pump _____
does not operate in the whole pump stroke
- I** The pump does not react when changing over the release lever (sluggishness)
- J** The forks cannot be lowered completely _____
- K** The forks do not lift horizontally _____
- L** The stacker is unable to lift 1000 kg to top position _____
- M** The steering wheel does not run smoothly _____

Cause

Mending

	Load heavier than the max. permissible	See point 4.1
	Oil deficiency	See point 5.2
	Valve control system needs adjustment	See point 5.8
	Seal leakage	See point 5.4
	Valve cone does not seal completely	See point 5.5
	Release pin jammed in control valve	See point 5.3/5.8
	Air in hydraulic system	1. Lift to the top 2. Lower
A	Temperature degrees below zero	See point 5.1
B	Fork bracket needs adjustment	See point 5.9/5.10
C	Pressure relief valve defective	See point 5.3
D	Lowering mechanism needs adjustment	See point 5.8
E	Steering wheel needs adjustment	See point 5.6
F	<p>If the problem cannot be solved by using the fault location key... ...please contact your dealer!</p>	
G		
H		
I		
J		
K		
L		
M		

Periodic service check

Service check is required once each year, or at least for every 250 hours of operation.

The service check is to be performed on the basis of form no. B280 and proved on form no. B284. Forms and instructions for the service check are available at your dealer.

Periodic safety inspection

Safety inspection should be performed by the dealer or other qualified persons at least once each year, unless local regulations state otherwise.

The safety inspection to be performed on the basis of form no. B278 and proved on form no. B284. Forms and instructions for the safety inspection are available at your dealer.

S 922

LF-LFS_MINI_L-ENG

20052016