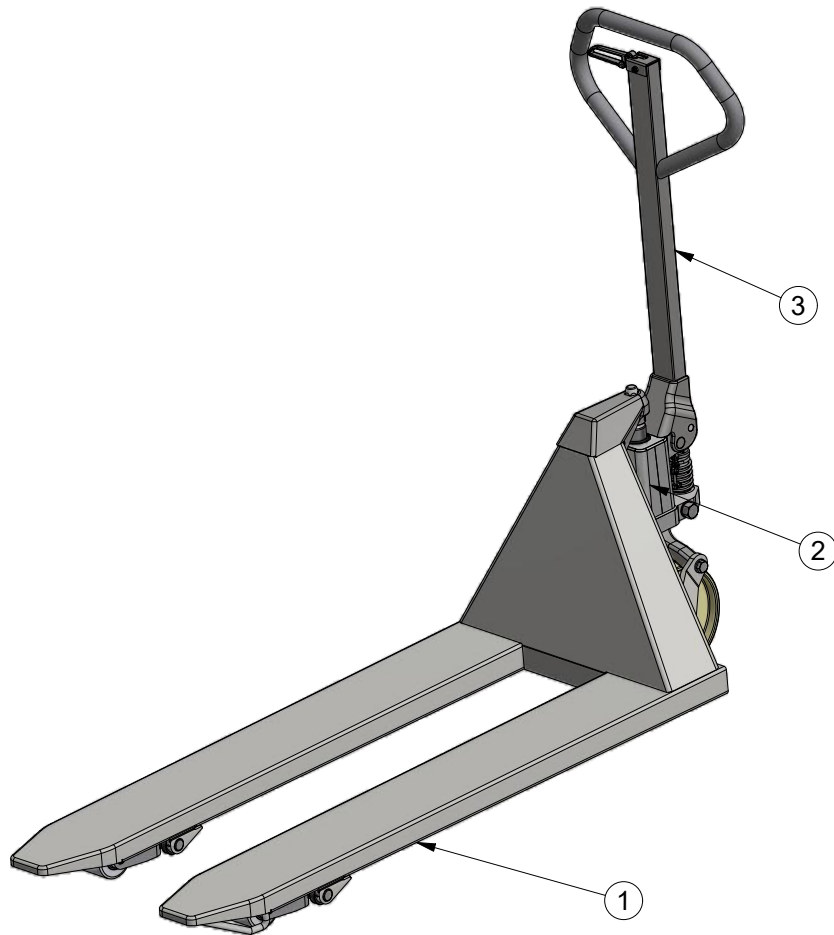


Panther Inox

SPARE PARTS LIST





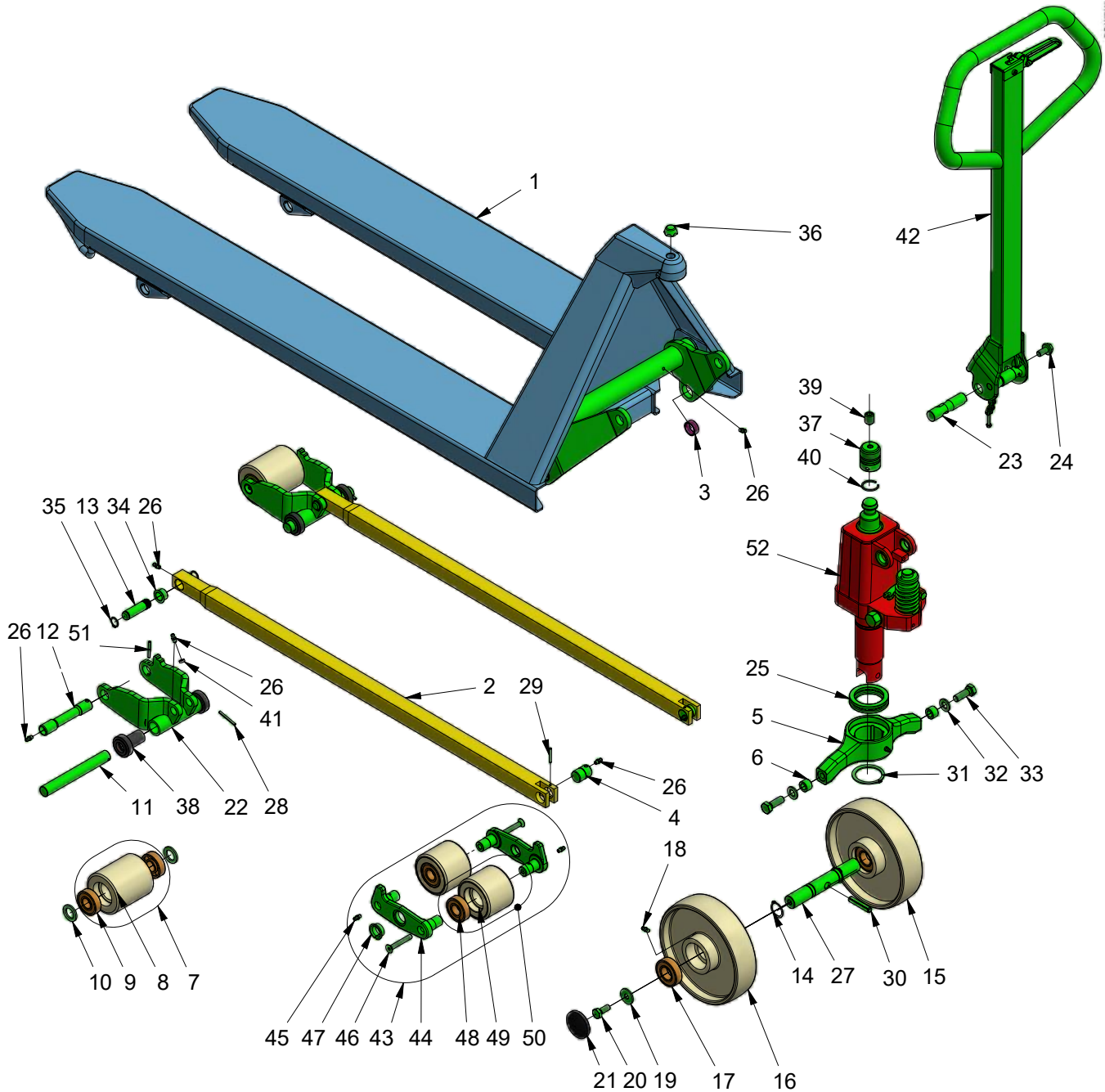
Index








1.Chassis	3
2.Pump.....	6
3.Handle.....	8

The original spare parts are available from your dealer.
When ordering, please state:

- Serial number of the product
- Type and width/length of the product
- Spare part no.

Chassis



	Syrefast stål	Acid-resistant steel	Säurebeständiger Stahl	Inox - Anti acides	EN 1.4404 (AISI 316L) EN 1.4460 (AISI 329)
	Rustfrit stål	Stainless steel	Edelstahl	Inox	EN 1.4305(AISI 303) EN 1.4460 (AISI 304)
	Polymer plastbelægn.	Polymer plastic coating	Polymer Kunststoffbeschicht.	Revêtement en plastique polymérisé	
	Kromateret	Chromit-treated	Chromit-behandelt	Bi-chromatage	Chromit
	Gummitættnede lejer	Rubber sealed bearings	Lager m/Gummidichtung	Roulements étanches	
	Bronze	Bronze	Bronze	Bronze	
	Malet 130-150 µm	Painted 130-150 µm	Gemalt 130-150 µm	Peinture 130-150 µm	

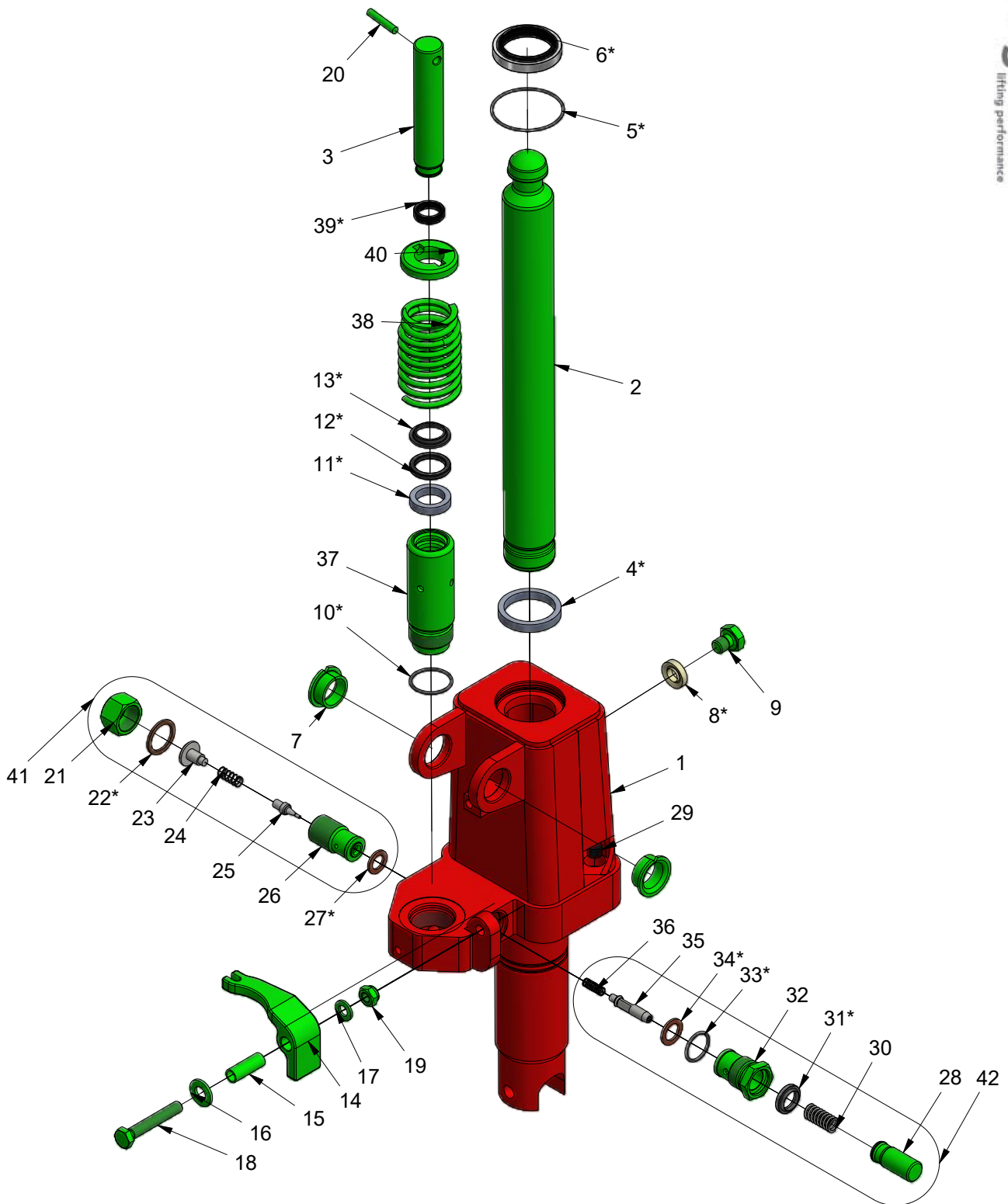
Chassis

Item	Part no.	Qty	Description	Note
1	475000-1 475000-2 475000-3 475000-6 475000-8 475000-9 475001-1 475001-2 475001-3 475001-6 475001-8 475001-9	1	Chassis 520x1140 Chassis 520x915 Chassis 520x1220 Chassis 520x1520 Chassis 520x810 Chassis 520x970 Chassis 680x1140 Chassis 680x915 Chassis 680x1220 Chassis 680x1520 Chassis 680x810 Chassis 680x970	
2	475046-1 475046-2 475046-3 475046-6 475046-8 475046-9	2	Push rod 1140 Push rod 915 Push rod 1220 Push rod 1520 Push rod 810 Push rod 970	
3	475040	2	Bushing	
4	475041	2	Axle to a push rod	
5	475050 475051	1	Thrust plate 520 Thrust plate 680	
6	400950	2	Bushing stainless	
7	4015771L 435411L	2	Fork wheel Ø80 Nylon w. with bearings Fork wheel Ø80 Poly. with bearings	
8	- -	2	Fork wheel Ø80 Nylon white Fork wheel Ø80 Polyurethan	Availab. only with ball bearings
9	946243	4	Ball bearing	
10	400159	4	Nylon Washer	
11	400156	2	Fork wheel axle stainless	
12	415353RF	2	Wheel axle, stainl.	
13	415356RF	2	Axle pushrod wheel fork	
14	933251	2	Circlip RF	
15	4039031L 435410L 300049DL	2	Steering whl. Ø200 Nyl. w. with bearings Steering whl. Ø200 Poly. with bearings Steering whl. Ø200 An.-st. with bearings	
16	- - -	2	Steering wheel Ø200 Nylon white Steering wheel Ø200 Polyurethan Steering wheel Ø200 Anti-static	Availab. only with ball bearings
17	946253	4	Ball bearing	
18	990112	2	Lubricator nipple RF	
19	928101	2	Washer	
20	917125	2	Screw RF	
21	944201	2	Hub cap	
22	475030	2	Wheel fork	
23	435041	1	Handle axle RF	
24	917123	1	Screw	

Chassis

Item	Part no.	Qty	Description	Note
25	945050RF	1	Thrust bearing	
26	990112	11	Lubricator nipple RF	
27	475065	1	Steering wheel axle	
28	937440	2	Tubular pin RF	
29	937430	2	Tubular pin RF	
30	937150	1	Pipe pin RF	
31	933501	1	Circlip	
32	924130	2	Washer	
33	917235	2	Screw stainless	
34	475047	4	Bushing	
35	933161	4	Circlip RF	
36	475130	1	Cover cap	
37	415204RF	1	Ball socket 85 mm stainless	
38	415120K	4	Bushing, cpl. Ø40	
39	435061-1	1	Pointed screw	
40	935232RF	1	Spring ring	
41	929231	2	Washer	
42	475100K	1	Handle cpl.	
43	300254 3002531	2	Tandem cpl Polyurethane Tandem cpl Nylon White	
44	404207	4	Tandem fork RFP-RFS	
45	990112	4	Lubricator nipple RF	
46	917856	4	Screw M8X55 RF	
47	404281	4	Busching with flange RF	
48	946243	4	Ball bearing	
49	435412 4020811	4	Tandem wheel Ø80 Polyurethan Tandem wheel Ø80 Nylon White	Availab. only with ball bearings
50	435412L 4020811L	4	Tandem whl. Ø80 Poly. with bearings Tandem whl. Ø80 Nyl. W. with bearings	
51	937435	2	Tubular pin RF	
52	101090E-R85	1	Pump cpl.	415204RF and 935227 are incl. in Pump cpl

Pump

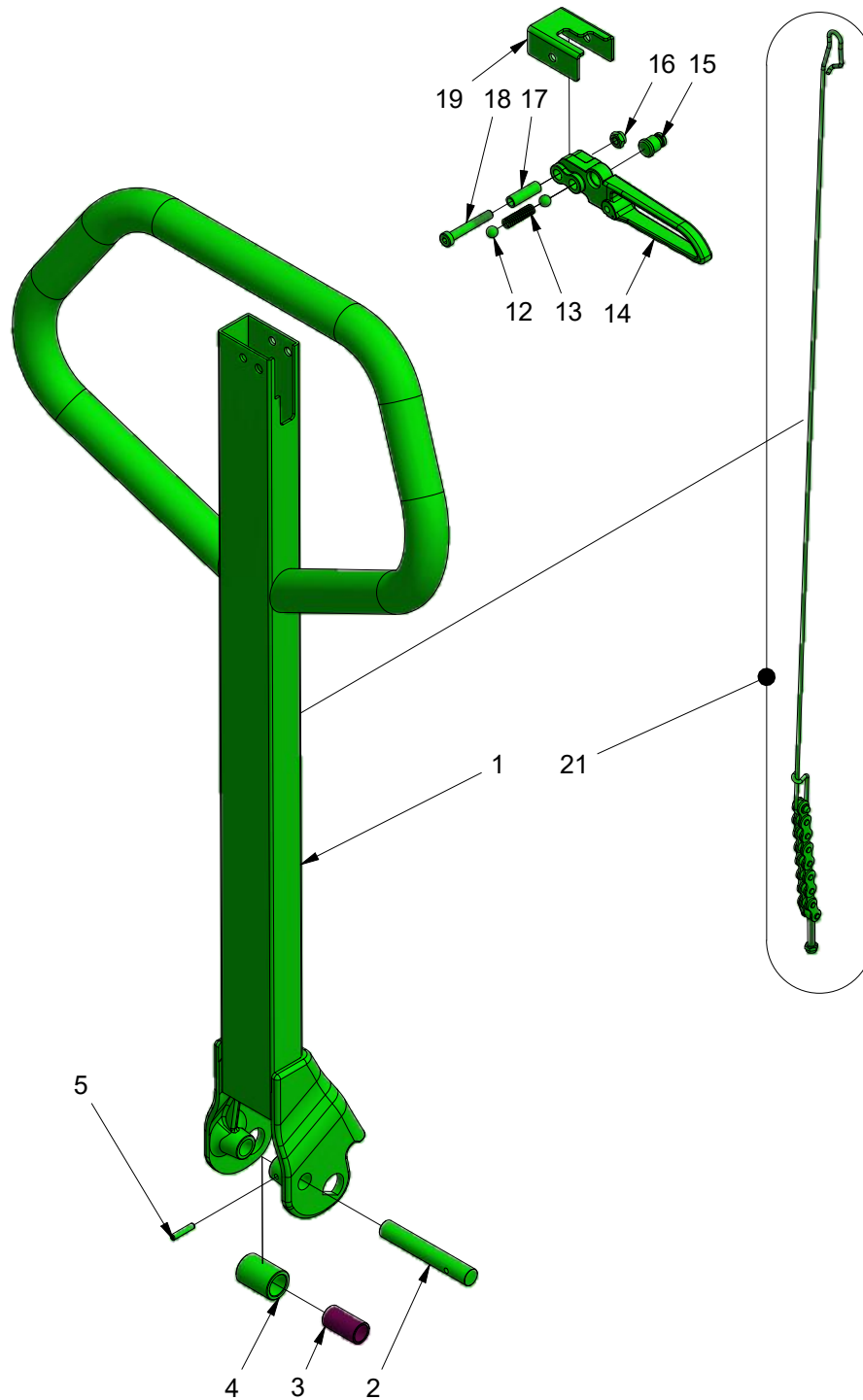









	Syrefast stål	Acid-resistant steel	Säurebeständiger Stahl	Inox - Anti acides	EN 1.4404 (AISI 316L) EN 1.4460 (AISI 329)
	Rustfrit stål	Stainless steel	Edelstahl	Inox	EN 1.4305(AISI 303) EN 1.4460 (AISI 304)
	Polymer plastbelægn.	Polymer plastic coating	Polymer Kunststoffbeschicht.	Revêtement en plastique polymérisé	
	Kromateret	Chromit-treated	Chromit-behandelt	Bi-chromatage	Chromit
	Gummitættnede lejer	Rubber sealed bearings	Lager m/Gummidichtung	Roulements étanches	
	Bronze	Bronze	Bronze	Bronze	
	Malet 130-150 µm	Painted 130-150 µm	Gemalt 130-150 µm	Peinture 130-150 µm	

Pump

Item	Part no.	Qty	Description	Note
1	-	1	Pump Chromate	
2	415203RF	1	Piston rod	
3	415004RF	1	Pump piston	
4*	-	1	U-sleeve	
5*	-	1	O-ring	
6*	-	1	Wiper seal	
7	404281	2	Busching with flange RF	
8*	-	1	Plug gasket	
9	917112	1	Screw RF	
10*	-	1	O-ring	
11*	-	1	U-sleeve	
12*	-	1	Quad ring	
13*	-	1	Scraper ring	
14	415371RF	1	Release arm f/pump	
15	415008	1	Spacer pipe release	
16	928100	1	Washer RF	
17	928080	1	Washer	
18	917851	1	Screw	
19	927082	1	Lock nut	
20	400171	1	Steel pin	
21	-	1	Valve cap nut SS	
22*	-	1	Copper washer	
23	-	1	Guide for spring	
24	-	1	Spring	
25	-	1	Release cone	
26	-	1	Valve housing f/releasecone SS	
27*	-	1	Copper washer	
28	-	1	Release pin	
29	990010	2	Magnet	
30	-	1	Spring	
31*	-	1	Wiper seal	
32	-	1	Valve house safe.valve RF	
33*	-	1	O-ring	
34*	-	1	Copper washer	
35	-	1	Safety valve 2000 kg	
36	-	1	Spring	
37	415033RF	1	Pump cylinder	
38	958430RF	1	Compression spring	
39*	-	1	Guide ring	
40	415284RF	1	Spring washer stainless	
41	170491RF	1	Release valve insert cpl. RF	
42	100492RF	1	Safety valve cpl. RF	
	100050	1	Gaskets cpl.	All parts marked * are incl.
	101090E-R85	1	Pump cpl	All parts are incl.

Handle



	Syrefast stål	Acid-resistant steel	Säurebeständiger Stahl	Inox - Anti acides	EN 1.4404 (AISI 316L) EN 1.4460 (AISI 329)
	Rustfrit stål	Stainless steel	Edelstahl	Inox	EN 1.4305(AISI 303) EN 1.4460 (AISI 304)
	Polymer plastbelægn.	Polymer plastic coating	Polymer Kunststoffbeschicht.	Revêtement en plastique polymérisé	
	Kromateret	Chromit-treated	Chromit-behandelt	Bi-chromatage	Chromit
	Gummitættnede lejer	Rubber sealed bearings	Lager m/Gummidichtung	Roulements étanches	
	Bronze	Bronze	Bronze	Bronze	
	Malet 130-150 µm	Painted 130-150 µm	Gemalt 130-150 µm	Peinture 130-150 µm	

Handle

Item	Part no.	Qty	Description	Note
1	-	1	Handle	
2	435042	1	Axle RF	
3	475111	1	Busching	
4	475110	1	Handle roller	
5	937420	1	Tubular pin RF	
12	941108	2	Ball RF	
13	958123	1	Pressure spring RF	
14	435057	1	Release lever RF	
15	435036	1	Pin	
16	927060	1	Lock nut	
17	435037	1	Bushing for release handle RF	
18	917641	1	Screw RF	
19	435035	1	Top for handle RF	
21	435065K	1	Release rod cpl.	
	475100K	1	Handle cpl	All parts are incl.