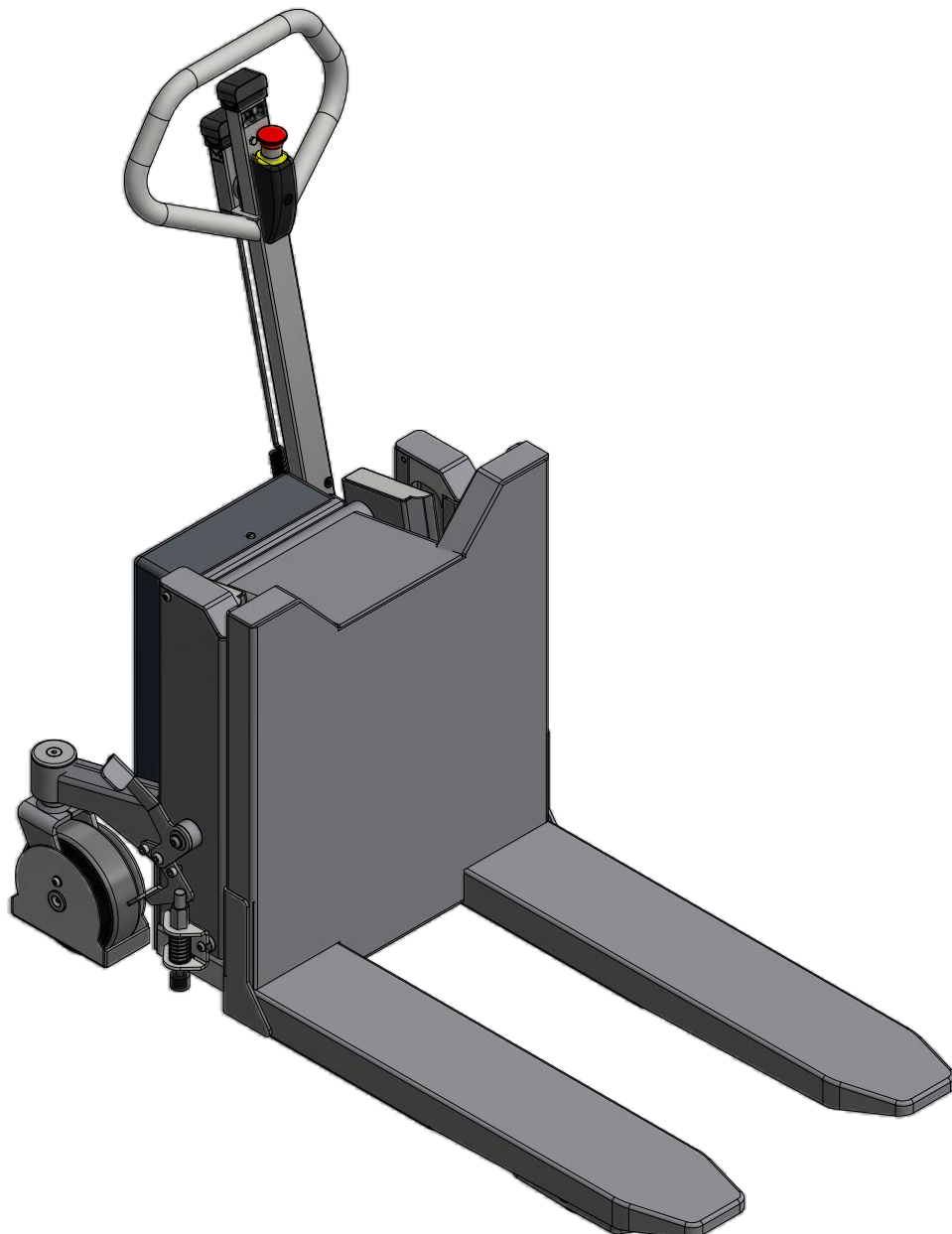
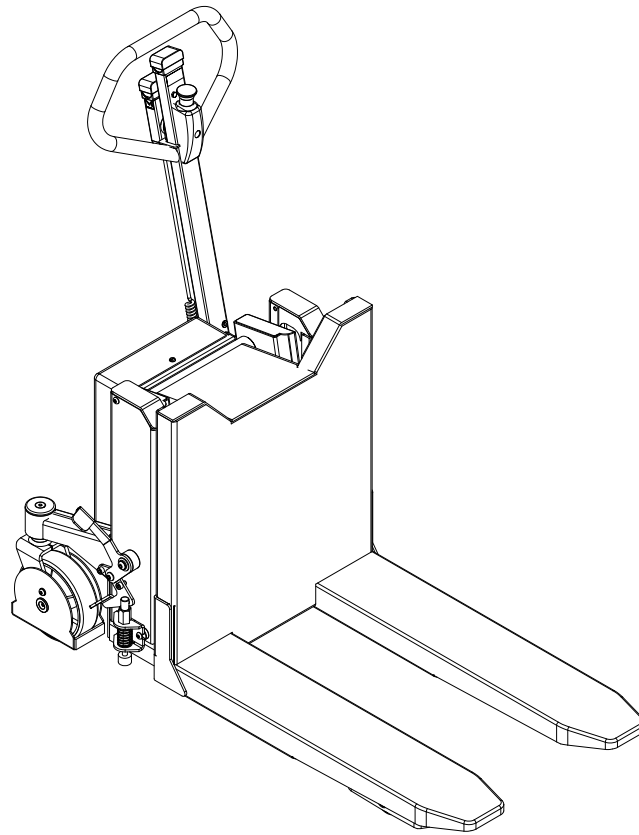


LT 1001 TE RF-SEMI SPARE PARTS LIST





Index

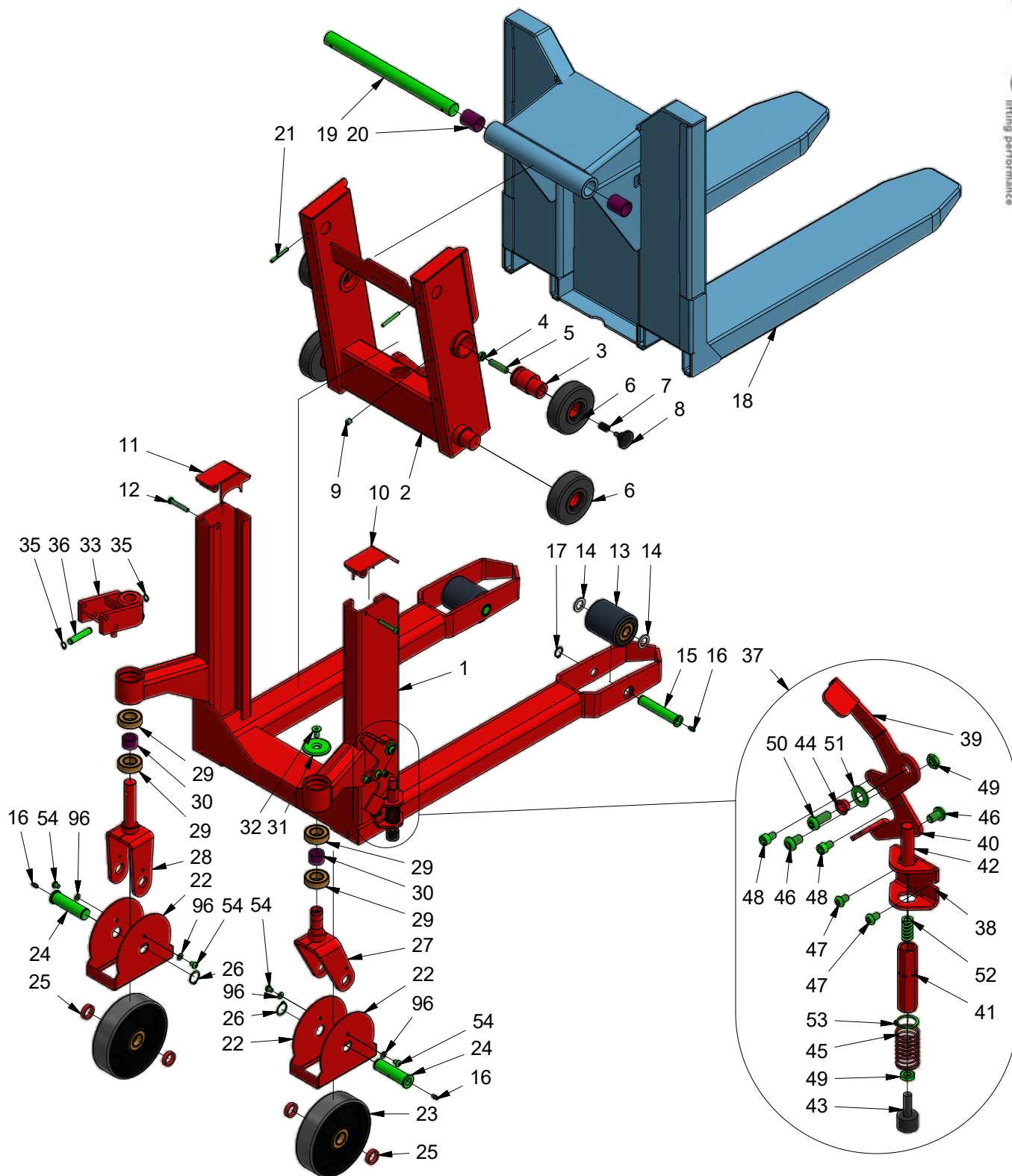
LT 1001 TE RF-SEMI Chassis.....	3
LT 1001 TE RF-SEMI Hydraulics.....	6
LT 1001 TE RF-SEMI Electric parts.....	9
LT 1001 TE RF-SEMI Handle.....	12

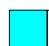






The correct spare parts are obtainable from your dealer.
When ordering, please state:

- Serial number of the product
- Model number
- Spare part number

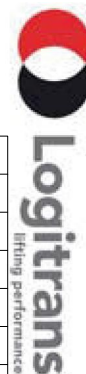
Always read the comments of a the lists
as it may be necessary to have to consider different
Part Numbers in relation to the vehicle's serial number.

LT 1001 TE RF-SEMI Chassis



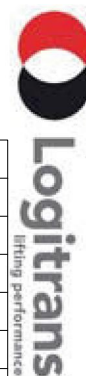
	Syrefast stål	Acid-resistant steel	Säurebeständiger Stahl	Inox - Anti acides	EN 1.4404 (AISI 316L) EN 1.4460 (AISI 329)
	Rustfrit stål	Stainless steel	Edelstahl	Inox	EN 1.4305 (AISI 303) EN 1.4460 (AISI 304)
	Polymer plastbelægn.	Polymer plastic coating	Polymer Kunststoffbeschicht.	Revêtement en plastique polymérisé	
	Kromateret	Chromit-treated	Chromit-behandelt	Bi-chromatage	Chromit
	Gummitættnede lejer	Rubber sealed bearings	Lager m/Gummidichtung	Roulements étanches	
	Bronze	Bronze	Bronze	Bronze	
	Malet 130-150 µm	Painted 130-150 µm	Gemalt 130-150 µm	Peinture 130-150 µm	

LT 1001 TE RF-SEMI Chassis



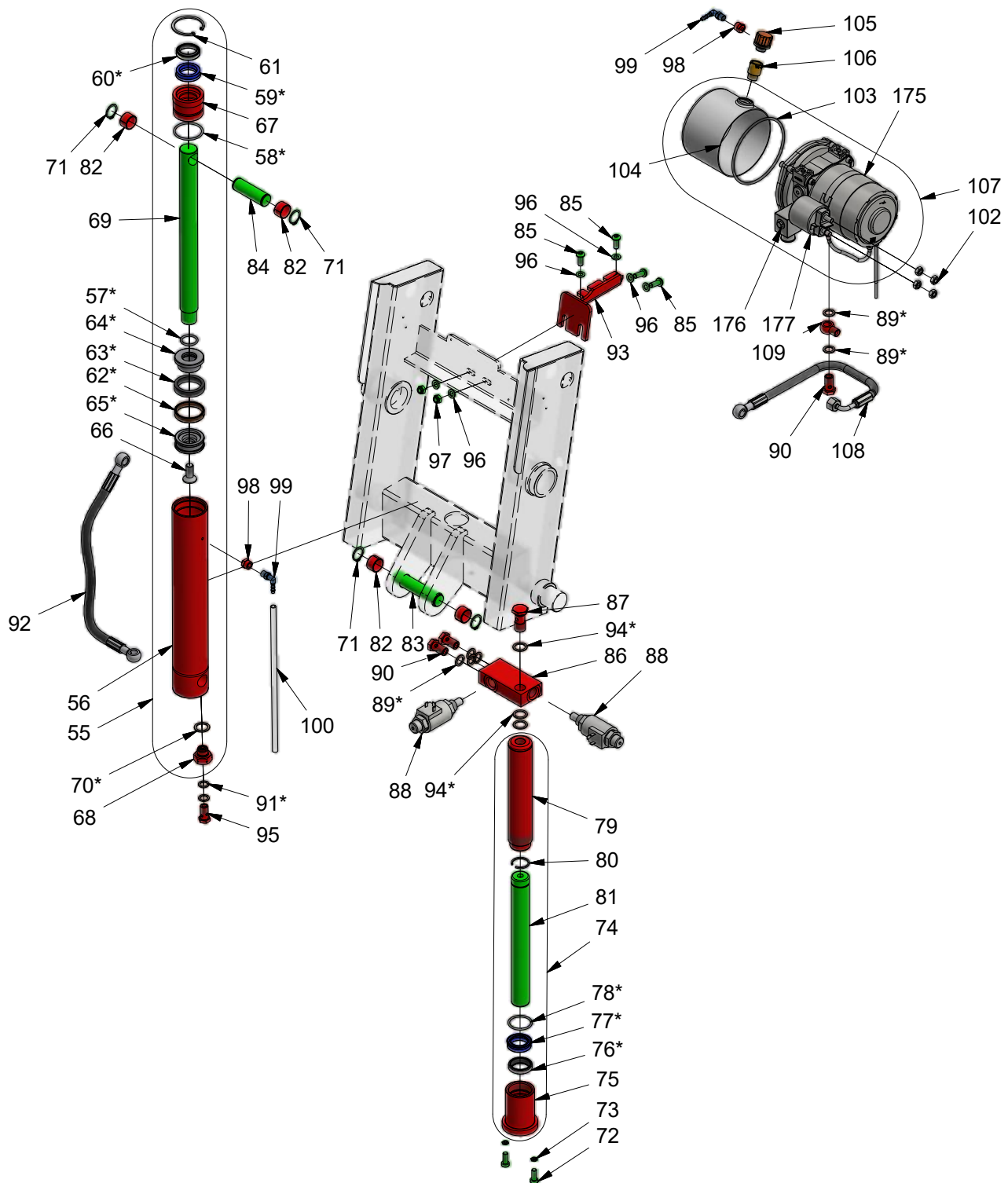
Item	Part no.	Qty	Description	Note
1	410100-5E	1	Chassis 560X800	
2	410101E	1	Logitilt Mast Chromit	
3	404076	2	Eccentric axle	
4	927120	2	Counter nut	
5	910251	2	Pointed screw	
6	404073K	4	Mast roll Ø112 w/slide bushing	
7	958144	2	Spring	
8	420153	2	Tap for fork bracket	
9	917113	2	Pointed screw	
10	410008HE	1	Top Cover, Right	
11	410008VE	1	Top Cover, Left	
12	917850	2	Screw	
13	403862L	2	Fork wheel Ø75 polyureth. w/b	
14	400159	4	Nylon Washer	
15	401932RF	2	Wheel axle RF	
16	990112	4	Lubricator nipple RF	
17	933201	2	Circlip RF	
18	410116-5	1	Fork bracket	
19	410094RF	1	Shaft	
20	948344	2	Bushing	
21	937550	2	Tubular pin stainless	
22	420094E	2	Foot protectors	
23	300060L	2	Steering Wheel Poly.W/Bearings	
24	401484RF	2	Steering Wheel Axle	
25	400618	4	Spacer pipe steering wheel	
26	933251	2	Circlip RF	
27	400615E	1	Castor wheel fork	
28	410107E	1	Steering wheel fork	
29	946253	4	Ball bearing	
30	400647	2	Spacer pipe wheel fork	
31	400624RF	1	Cover disk RF	
32	917121	1	Screw	
33	410108E	1	Control lever	
35	933121	2	Circlip RF	
36	410138	1	Stainless Pin	
37	410155E	1	Parking brake cpl.	
38	410154	1	U-fitting NV 22	
39	410066	1	Brake pedal	
40	410067	1	Release pedal	
41	410152	1	Spring pipe NV22	
42	410153	1	Pressure shaft	
43	401097	1	Brake pad M10x30	
44	410071	1	Bearing ring	
45	958257	1	Compression spring	








LT 1001 TE RF-SEMI Chassis



Item	Part no.	Qty	Description	Note
46	917116	2	Screw	
47	917812	2	Screw	
48	917813	2	Screw	
49	927101	2	Counter nut	
50	917126	1	Screw	
51	957143RF	1	Spring	
52	958140E	1	Spring	
53	933243	1	Circlip RF	
54	917810	4	Screw	
96	928080	4	Washer	

LT 1001 TE RF-SEMI Hydraulics



	Syrefast stål	Acid-resistant steel	Säurebeständiger Stahl	Inox - Anti acides	EN 1.4404 (AISI 316L) EN 1.4460 (AISI 329)
	Rustfrit stål	Stainless steel	Edelstahl	Inox	EN 1.4305 (AISI 303) EN 1.4460 (AISI 304)
	Polymer plastbelægn.	Polymer plastic coating	Polymer Kunststoffbeschicht.	Revêtement en plastique polymérisé	
	Kromateret	Chromit-treated	Chromit-behandelt	Bi-chromatage	Chromit
	Gummitættnede lejer	Rubber sealed bearings	Lager m/Gummidichtung	Roulements étanches	
	Bronze	Bronze	Bronze	Bronze	
	Malet 130-150 µm	Painted 130-150 µm	Gemalt 130-150 µm	Peinture 130-150 µm	

LT 1001 TE RF-SEMI Hydraulics



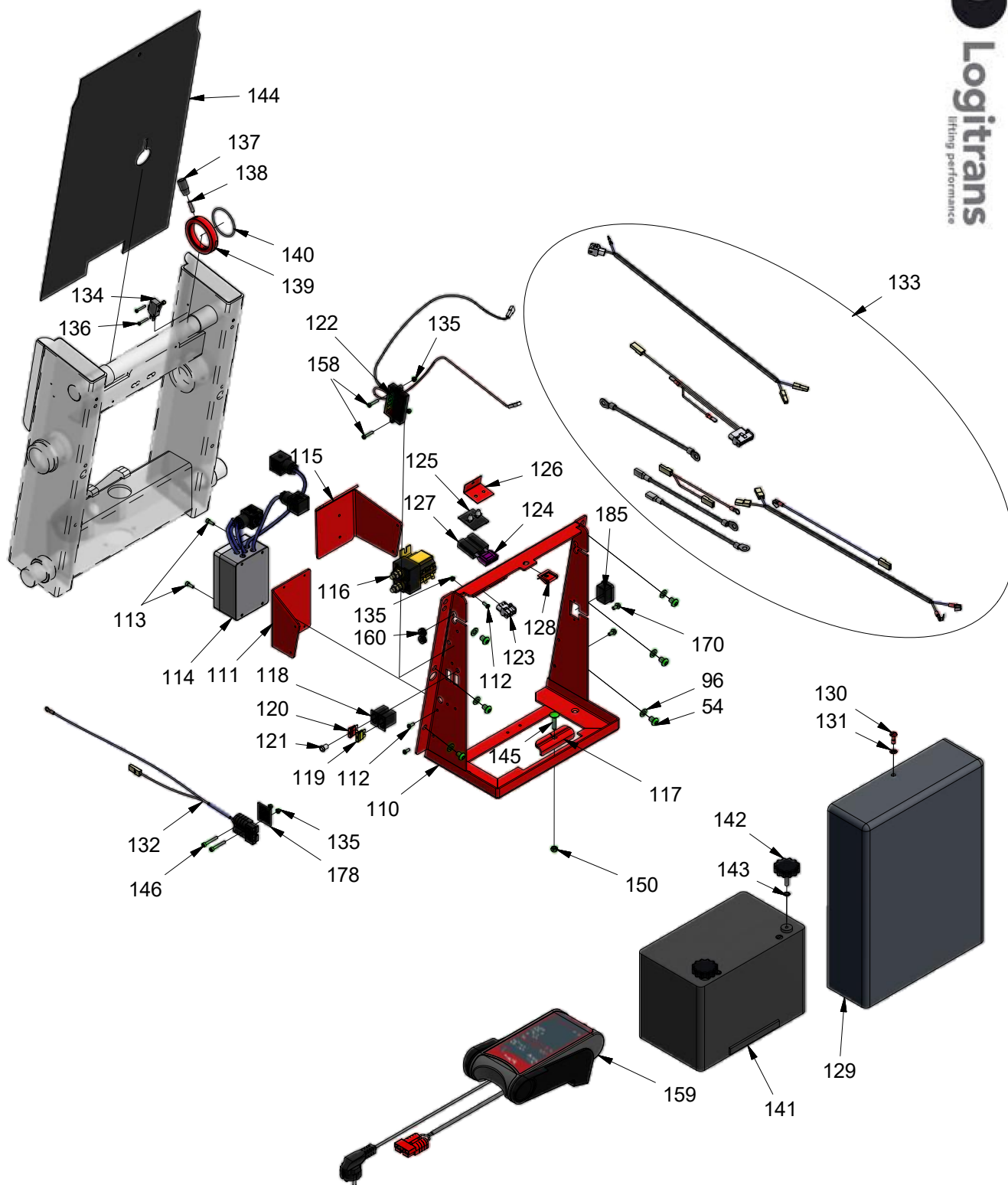
Item	Part no.	Qty	Description	Note
55	181100E	1	Cylinder	
56	410060E	1	Tilting cylinder housing	
57*	900240	1	O-ring	
58*	900440	1	O-ring	
59*	901301	1	Sleeve	
60*	908300	1	Scraper ring	
61	934520	1	Circlip	
62*	909509	1	Guide ring CN10	
63*	901380	1	U-sleeve	
64*	404539	1	Split piston part A	
65*	404540	1	Split piston part B	
66	911231	1	Screw	
67	400478E	1	Top section	
68	402350-2	1	Safety valve cpl.	
69	410011RF	1	Piston rod	
70*	905205	1	Copper washer	
71	933221	4	Circlip RF	
72	917822	2	Screw RF	
73	927083	2	Nut	
74	181200E	1	Lifting Cylinder Cpl.	
75	410014E	1	Top section	
76*	908300	1	Scraper ring	
77*	901301	1	Sleeve	
78*	900350	1	O Ring	
79	410061E	1	Cylinder housing	
80	935232	1	Spring ring	
81	410015RF	1	Piston rod	
82	948221	4	Bushing	
83	410057RF	1	Shaft	
84	410056RF	1	Shaft	
85	917821	4	Screw	
86	410086	1	Valve housing	
87	410085	1	Banjo bolt	
88	988004	2	Solenoid valve	
89*	905145	6	Copper washer	
90	971146	3	Banjo bolt	
91*	905143	2	Copper washer	
92	970919	1	Hydraulic hose 425mm	
93	410166E	1	Holder for motor	
94*	905180	3	Copper washer	
95	971132	1	Banjo bolt	
96	928080	6	Washer	
97	927082	2	Lock nut	
98	973137	2	Flush bushing	
99	975114	2	Angular nipple	
100	970904	1	Plastic hose	

LT 1001 TE RF-SEMI Hydraulics



Item	Part no.	Qty	Description	Note
102	922080	4	Nut	
103	984704	1	O-ring f. flange/tank	
104	984828	1	Oil tank cpl. 1.12 l.	
105	984810	1	Filler cap	
106	410157	1	Overflow flush bushing	
107	984750	1	Hy-Pump cpl.Hpi 0.8 kW 3G	
108	970918	1	Hydraulic hose 380mm	
109	971147	1	Banjo union	
175	984845	1	Motor 12V	
176	984802	1	Solenoid valve 12V	
177	984805	1	Starter switch 12V	
	180052	1	Gasket Set. Cpl LTE	All parts marked * are included in cpl.
	890071-1	1	Aircraft 15 Oil 1 Liter	
	890071-5	1	Aircraft 15 Oil 5 Liter	

LT 1001 TE RF-SEMI Electric parts

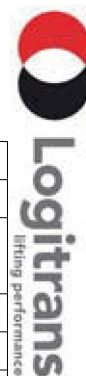


	Syrefast stål	Acid-resistant steel	Säurebeständiger Stahl	Inox - Anti acides	EN 1.4404 (AISI 316L) EN 1.4460 (AISI 329)
	Rustfrit stål	Stainless steel	Edelstahl	Inox	EN 1.4305 (AISI 303) EN 1.4460 (AISI 304)
	Polymer plastbelægn.	Polymer plastic coating	Polymer Kunststoffbeschicht.	Revêtement en plastique polymérisé	
	Kromateret	Chromit-treated	Chromit-behandelt	Bi-chromatage	Chromit
	Gummitættnede lejer	Rubber sealed bearings	Lager m/Gummidichtung	Roulements étanches	
	Bronze	Bronze	Bronze	Bronze	
	Malet 130-150 µm	Painted 130-150 µm	Gemalt 130-150 µm	Peinture 130-150 µm	

LT 1001 TE RF-SEMI Electric parts

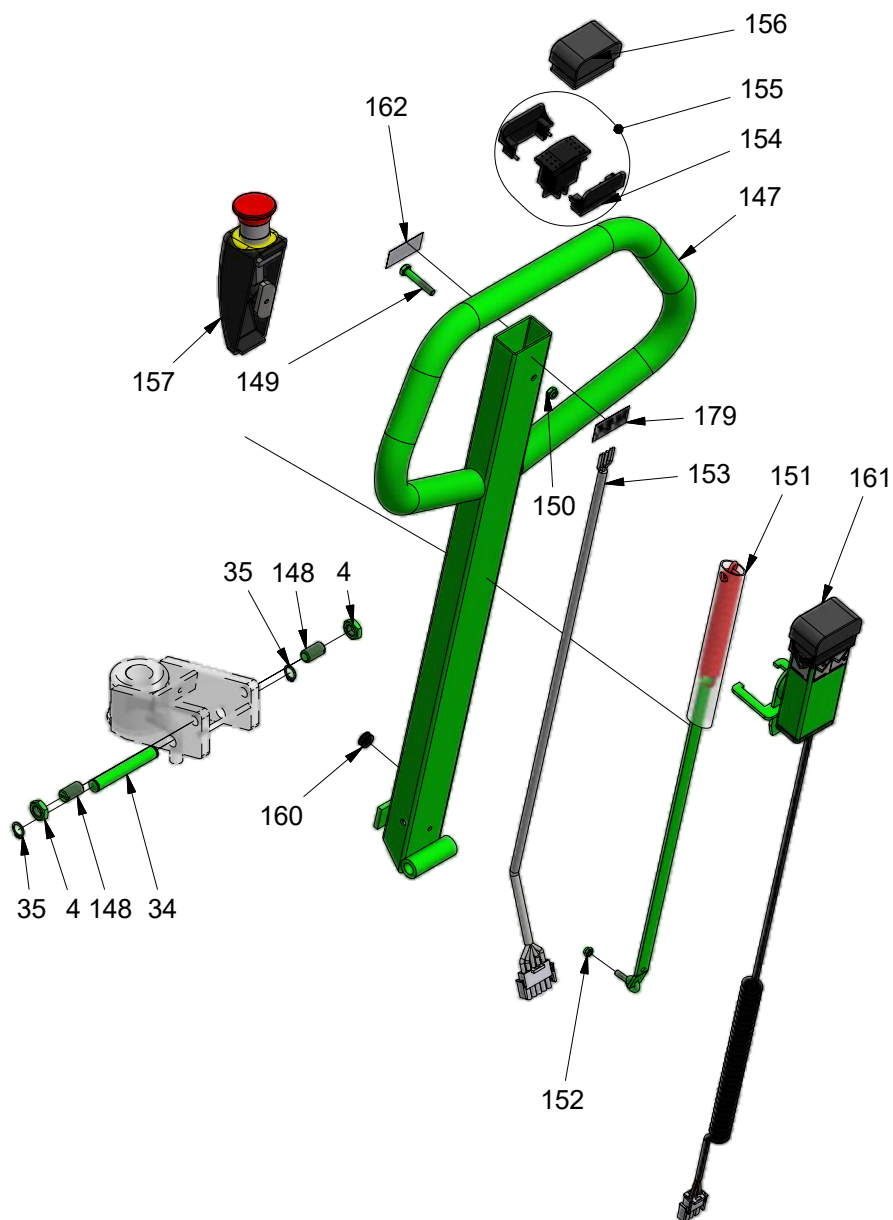
Item	Part no.	Qty	Description	Note
54	917810	6	Screw	
96	928080	6	Washer	
110	410105E	1	Battery bracket	
111	410095	1	Control box plate LTE	
112	917410	3	Screw	
113	917412	2	Screw	
114	160181	1	Control box cpl.	
115	410173	1	Relay plate	
116	982183	1	Relay, 12V	
117	402336	1	Battery holder	
118	982111	2	Fuse holder	
119	982126	1	Fuse 20A	
120	982124	1	Fuse 10A	
121	982255	1	LED holder f/built-in charger	
122	986092	1	Battery monitor	
123	982003	1	Female plug	
124	982129	1	Maxi Fuse 100A	
125	982112-1	1	Fitting plate	
126	410170	1	Fitting plate	
127	982160-1	1	Mega blade fuse holder	
128	990065	1	Clips for hinge lock	
129	410115S	1	Cover Glasfiber 3mm LTE	
130	990063	1	Hinge lock	
131	990064	1	Washer f/hinge lock	
132	180000-1	1	Charger cable	
133	160205	1	Set of cables, cpl.	
134	982261	1	Micro switch with reel 16 Amp	
135	927040	5	Lock nut	
136	917320	2	Screw	
137	995017	1	Grip	
138	910520	1	Pointed screw	
139	410168	1	Ring f/stop	
140	900502	1	O-ring	
141	986550	1	Battery 12V 70 Ah/20h	
142	986507	2	Thumb screw f/battery	
143	925060	2	Toothed washer	
144	410114	1	Cover mat	
145	917630	1	Bolt	
146	917431	2	Screw	
150	927060	1	Lock nut	








LT 1001 TE RF-SEMI Electric parts



Item	Part no.	Qty	Description	Note
158	917420	2	Screw	
159	986150	1	Charger extern 12V 8A 230V	
	986152	1	Charger extern 12V 8A 110V	
160	530022	2	Cable lead-in	
170	917501	2	Screw	
178	405239	1	Spacer block for charging plug	
185	9933525	1	Plastic cover	s.nr.4179522 →

LT 1001 TE RF-SEMI Handle



	Syrefast stål	Acid-resistant steel	Säurebeständiger Stahl	Inox - Anti acides	EN 1.4404 (AISI 316L) EN 1.4460 (AISI 329)
	Rustfrit stål	Stainless steel	Edelstahl	Inox	EN 1.4305 (AISI 303) EN 1.4460 (AISI 304)
	Polymer plastbelægn.	Polymer plastic coating	Polymer Kunststoffbeschicht.	Revêtement en plastique polymérisé	
	Kromateret	Chromit-treated	Chromit-behandelt	Bi-chromatage	Chromit
	Gummitættnede lejer	Rubber sealed bearings	Lager m/Gummidichtung	Roulements étanches	
	Bronze	Bronze	Bronze	Bronze	
	Malet 130-150 µm	Painted 130-150 µm	Gemalt 130-150 µm	Peinture 130-150 µm	

LT 1001 TE RF-SEMI Handle

Item	Part no.	Qty	Description	Note
4	927120	2	Counter nut	
34	401200	1	Pin	
35	933121	2	Circlip RF	
147	410136N	1	Handle	
148	917122	2	Resilient press unit w/ball	
149	917635	1	Screw RF	
150	927060	1	Lock nut	
151	410174	1	Spring pull rod cpl.	
152	927050	1	Lock nut	
153	150001	1	Handle cable	
154	402356R	1	Contact holder, set	
155	982075R	1	Tilting switch	
156	982149	1	Rubber cap	
157	425191KRF	1	Holder with emergency stop	
160	530022	1	Cable lead-in	
161	160086	1	Remote control cpl. LTE RF	
162	991017	1	Sticker for up/down	
179	991018	1	Sticker for down/up	