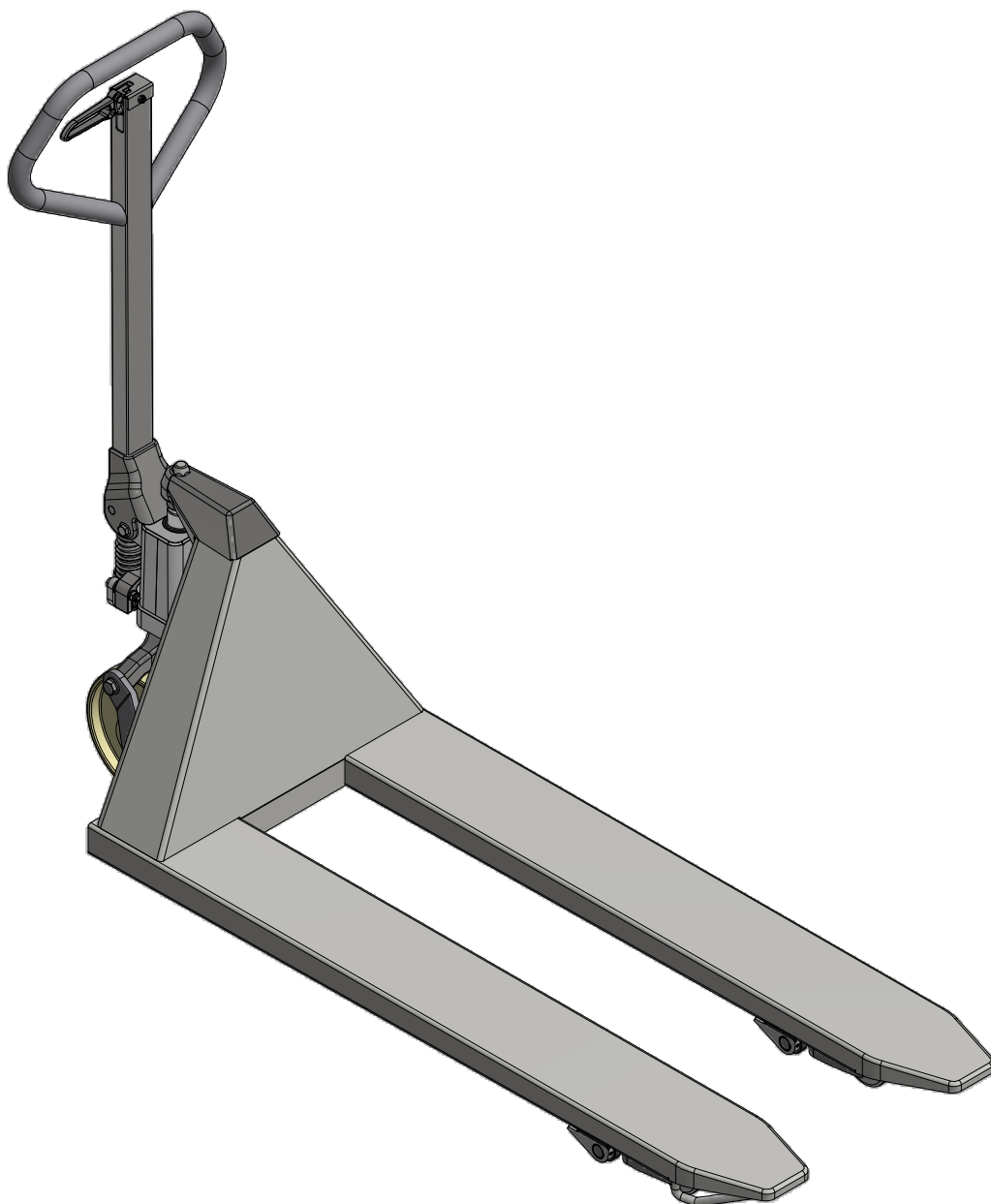
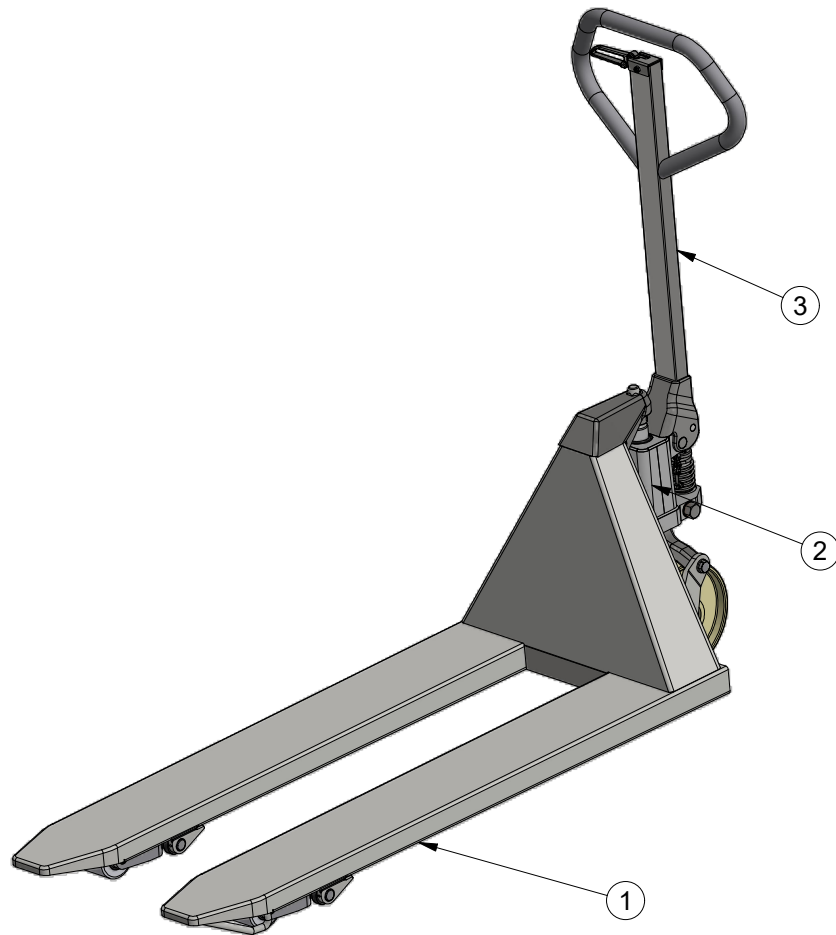


Panther Inox

SPARE PARTS LIST





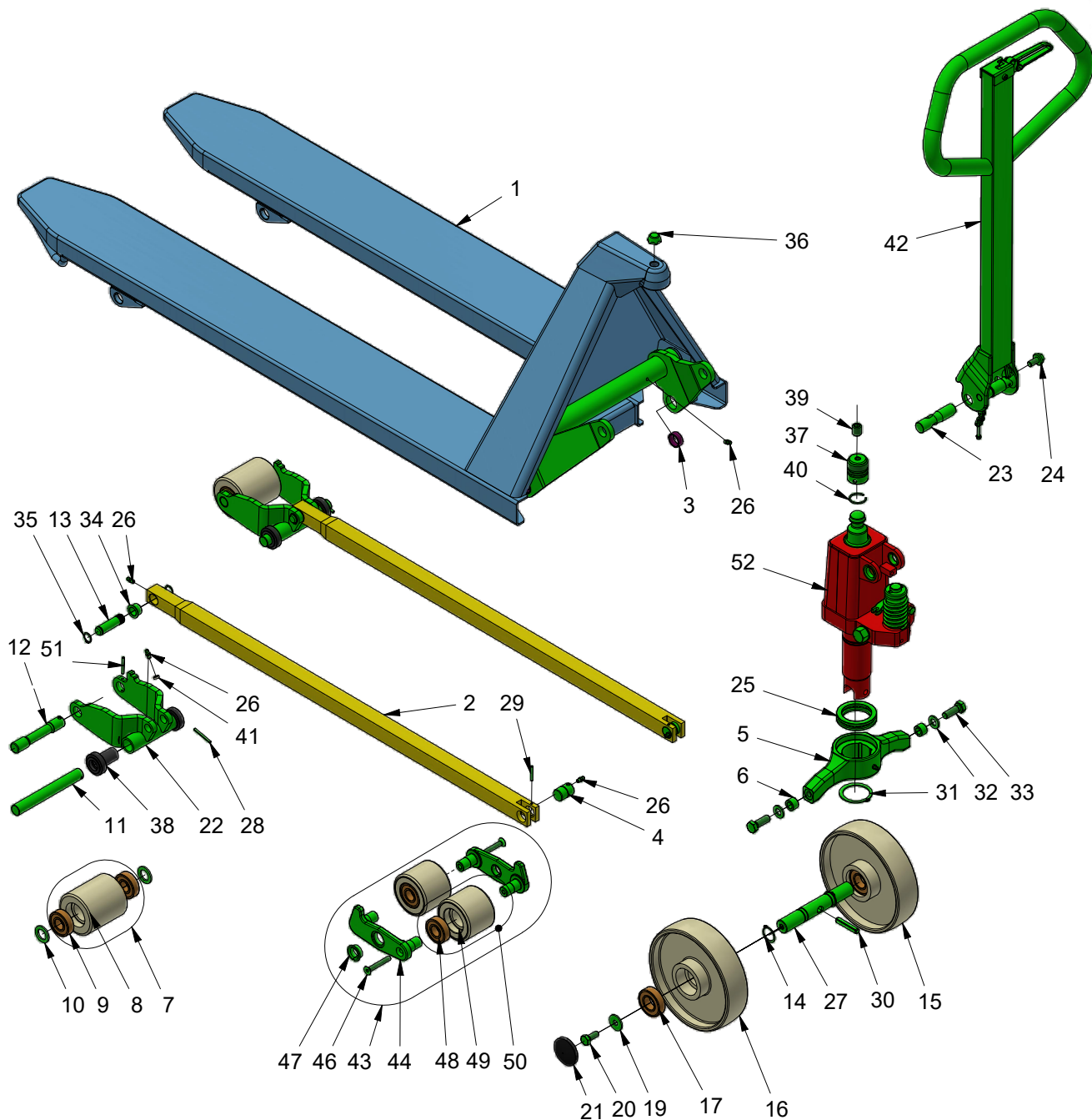
Index








1.Chassis	3
2.Pump.....	6
3.Handle.....	8

The original spare parts are available from your dealer.
When ordering, please state:

- Serial number of the product
- Type and width/length of the product
- Spare part no.

Chassis



	Syrefast stål	Acid-resistant steel	Säurebeständiger Stahl	Inox - Anti acides	EN 1.4404 (AISI 316L) EN 1.4460 (AISI 329)
	Rustfrit stål	Stainless steel	Edelstahl	Inox	EN 1.4305(AISI 303) EN 1.4460 (AISI 304)
	Zink/Jern sort passivering med sealer	Zinc-iron black passivating + sealer	Zink/Eisen schwarz passiviert + Versiegelung	Zinc/traitement de surface polymère noir	Fe//ZnFeX//Fn//T2
	Zink/Jern silver passivering med sealer	Zinc-iron silver passivating + sealer	Zink/Eisen silver passiviert + Versiegelung	Zinc/traitement de surface polymère argenté	Fe//ZnFeX//Cn//T2
	Gummitætnede lejer	Rubber sealed bearings	Lager m/Gummidichtung	Roulements étanches	
	Bronze	Bronze	Bronze	Bronze	
	Malet 130-150 µm	Painted 130-150 µm	Gemalt 130-150 µm	Peinture 130-150 µm	

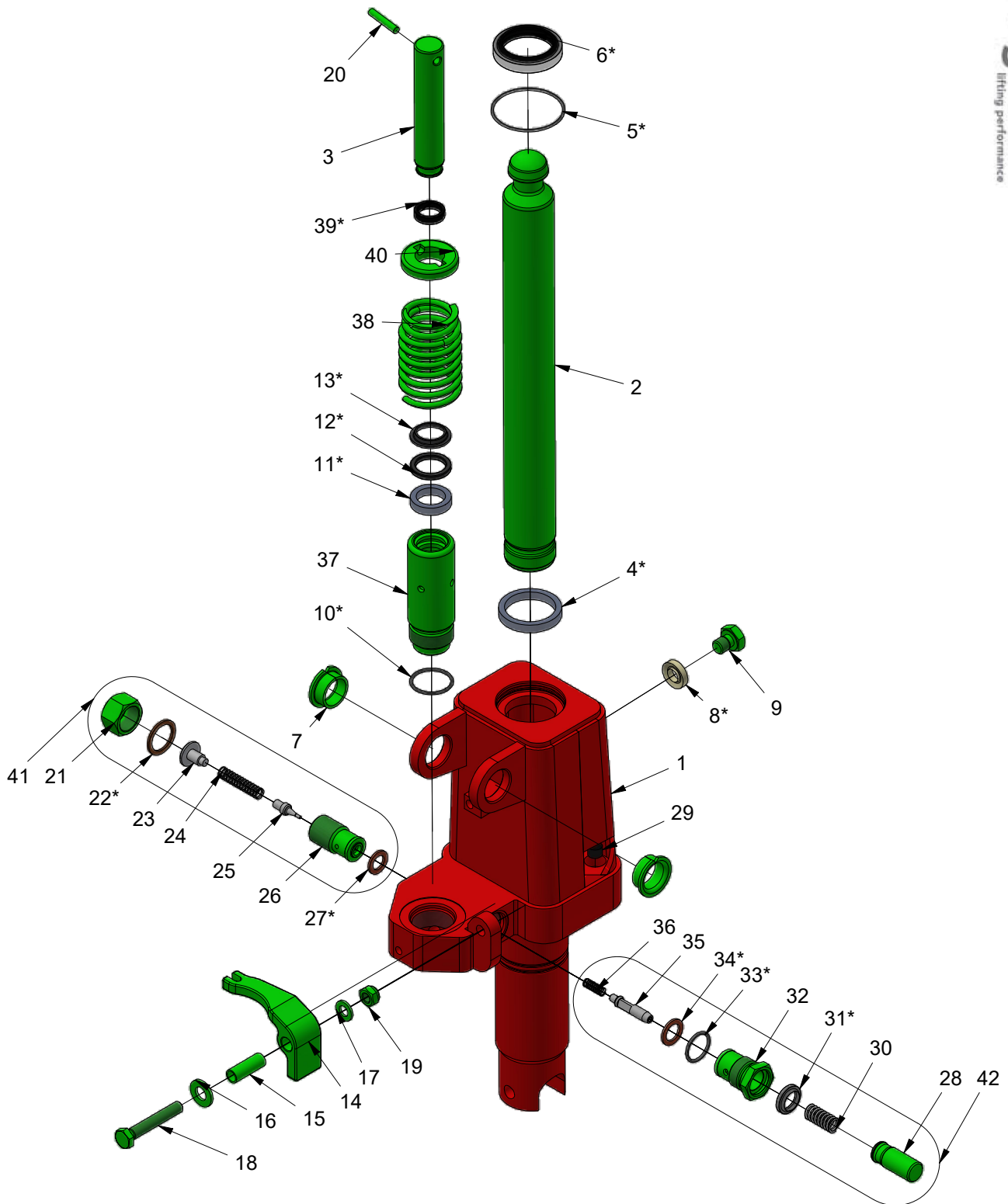
Chassis

Item	Part no.	Qty	Description	Note
1	475000-1 475000-2 475000-3 475000-6 475000-8 475000-9 475001-1 475001-2 475001-3 475001-6 475001-8 475001-9	1	Chassis 520x1140 Chassis 520x915 Chassis 520x1220 Chassis 520x1520 Chassis 520x810 Chassis 520x970 Chassis 680x1140 Chassis 680x915 Chassis 680x1220 Chassis 680x1520 Chassis 680x810 Chassis 680x970	
2	475046-1 475046-2 475046-3 475046-6 475046-8 475046-9	2	Push rod 1140 Push rod 915 Push rod 1220 Push rod 1520 Push rod 810 Push rod 970	
3	475040	2	Bushing	
4	475041	2	Axle to a push rod	
5	475050 475051	1	Thrust plate 520 Thrust plate 680	
6	400950	2	Bushing stainless	
7	4015771L 435411L	2	Fork wheel Ø80 Nylon w. with bearings Fork wheel Ø80 Poly. with bearings	
8	- -	2	Fork wheel Ø80 Nylon white Fork wheel Ø80 Polyurethan	Availab. only with ball bearings
9	946243	4	Ball bearing	
10	400159	4	Nylon Washer	
11	400156	2	Fork wheel axle stainless	
12	415353RF	2	Wheel axle, stainl.	
13	415356RF	2	Axle pushrod wheel fork	
14	933251	2	Circlip RF	
15	4039031L 435410L 300049DL	2	Steering whl. Ø200 Nyl. w. with bearings Steering whl. Ø200 Poly. with bearings Steering whl. Ø200 An.-st. with bearings	
16	- - -	2	Steering wheel Ø200 Nylon white Steering wheel Ø200 Polyurethan Steering wheel Ø200 Anti-static	Availab. only with ball bearings
17	946253	2	Ball bearing	
19	928101	2	Washer	
20	917125	2	Screw RF	
21	944201	2	Hub cap	
22	475030	2	Wheel fork	
23	435041	1	Handle axle RF	
24	917123	1	Screw	

Chassis

Item	Part no.	Qty	Description	Note
17	946253	4	Ball bearing	
25	945050RF	1	Thrust bearing	
26	990112	9	Lubricator nipple RF	
27	475065	1	Steering wheel axle	
28	937440	2	Tubular pin RF	
29	937430	2	Tubular pin RF	
30	937150	1	Pipe pin RF	
31	933501	1	Circlip	
32	924130	2	Washer	
33	917235	2	Screw stainless	
34	475047	4	Bushing	
35	933161	4	Circlip RF	
36	475130	1	Cover cap	
37	415204RF	1	Ball socket 85 mm stainless	
38	415120K	4	Bushing, cpl. Ø40	
39	435061-1	1	Pointed screw	
40	935232RF	1	Spring ring	
41	929231	2	Washer	
42	475100K	1	Handle cpl.	
43	300254 3002531	2	Tandem cpl Polyurethane Tandem cpl Nylon White	
44	404207	4	Tandem fork RFP-RFS	
46	917856	4	Screw M8X55 RF	
47	404281	4	Busching with flange RF	
48	946243	4	Ball bearing	
49	435412 4020811	4	Tandem wheel Ø80 Polyurethan Tandem wheel Ø80 Nylon White	Availab. only with ball bearings
50	435412L 4020811L	4	Tandem whl. Ø80 Poly. with bearings Tandem whl. Ø80 Nyl. W. with bearings	
51	937435	2	Tubular pin RF	
52	101090E-R85	1	Pump cpl.	415204RF and 935227 are incl. in Pump cpl

Pump

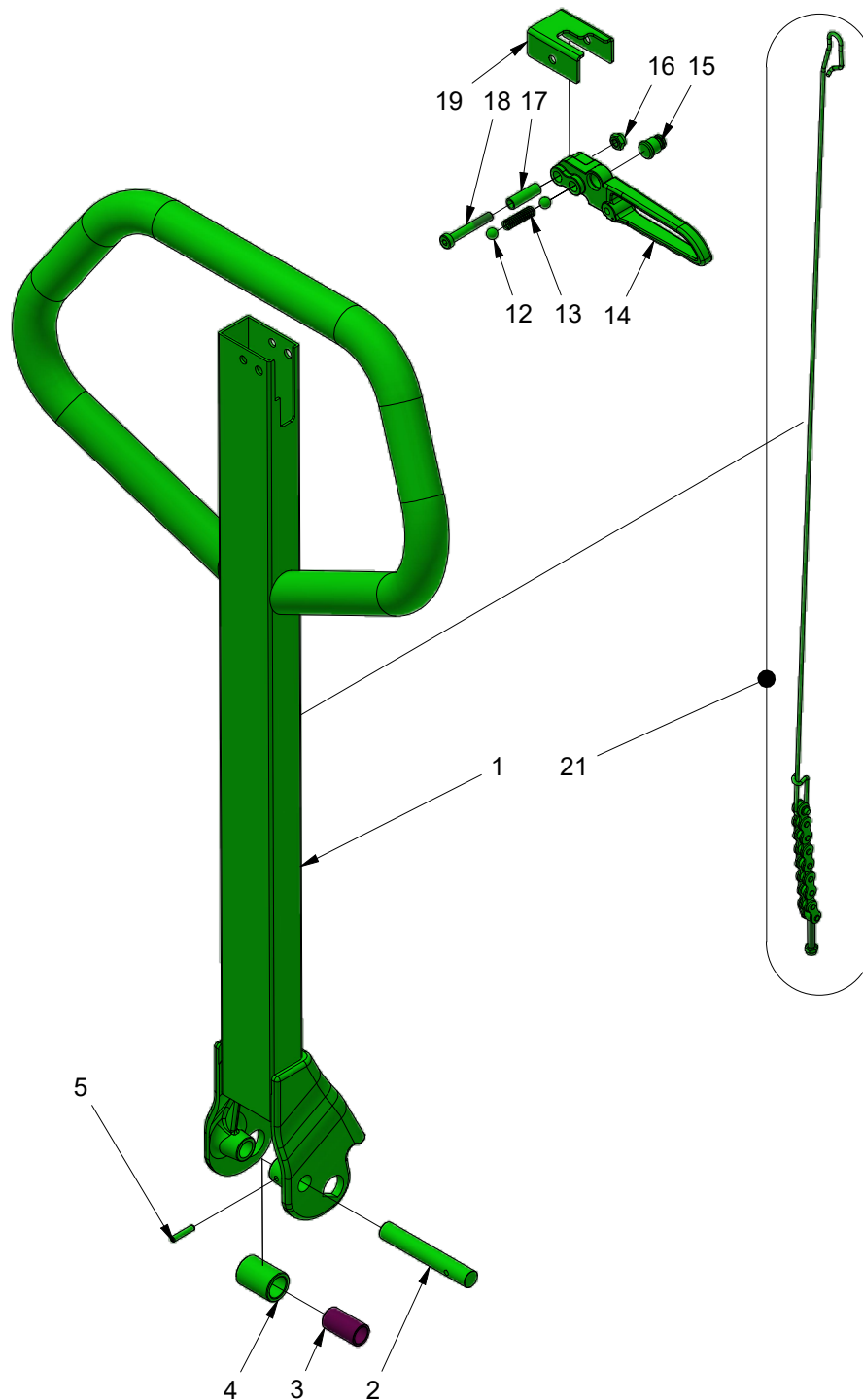


Syrefast stål	Acid-resistant steel	Säurebeständiger Stahl	Inox - Anti acides	EN 1.4404 (AISI 316L) EN 1.4460 (AISI 329)
Rustfrit stål	Stainless steel	Edelstahl	Inox	EN 1.4305(AISI 303) EN 1.4460 (AISI 304)
Zink/Jern sort passivering med sealer	Zinc-iron black passivating + sealer	Zink/Eisen schwarz passiviert + Versiegelung	Zinc/traitement de surface polymère noir	Fe//ZnFeX//Fn//T2
Zink/Jern silver passivering med sealer	Zinc-iron silver passivating + sealer	Zink/Eisen silver passiviert + Versiegelung	Zinc/traitement de surface polymère argenté	Fe//ZnFeX//Cn//T2
Gummitætnede lejer	Rubber sealed bearings	Lager m/Gummidichtung	Roulements étanches	
Bronze	Bronze	Bronze	Bronze	
Malet 130-150 µm	Painted 130-150 µm	Gemalt 130-150 µm	Peinture 130-150 µm	

Pump

Item	Part no.	Qty	Description	Note
17	946253	4	Ball bearing	
1	-	1	Pump Chromate	
2	415203RF	1	Piston rod	
3	415004RF	1	Pump piston	
4*	-	1	U-sleeve	
5*	-	1	O-ring	
6*	-	1	Wiper seal	
7	404281	2	Busching with flange RF	
8*	-	1	Plug gasket	
9	917112	1	Screw RF	
10*	-	1	O-ring	
11*	-	1	U-sleeve	
12*	-	1	Quad ring	
13*	-	1	Scraper ring	
14	415371RF	1	Release arm f/pump	
15	415008	1	Spacer pipe release	
16	928100	1	Washer RF	
17	928080	1	Washer	
18	917851	1	Screw	
19	927082	1	Lock nut	
20	400171	1	Steel pin	
21	-	1	Valve cap nut SS	
22*	-	1	Copper washer	
23	-	1	Guide for spring	
24	-	1	Spring	
25	-	1	Release cone	
26	-	1	Valve housing f/releasecone SS	
27*	-	1	Copper washer	
28	-	1	Release pin	
29	990010	2	Magnet	
30	-	1	Spring	
31*	-	1	Wiper seal	
32	-	1	Valve house safe.valve RF	
33*	-	1	O-ring	
34*	-	1	Copper washer	
35	-	1	Safety valve 2000 kg	
36	-	1	Spring	
37	415033RF	1	Pump cylinder	
38	958430RF	1	Compression spring	
39*	-	1	Guide ring	
40	415284RF	1	Spring washer stainless	
41	170491RF	1	Release valve insert cpl. RF	
42	100492RF	1	Safety valve cpl. RF	
	100050	1	Gaskets cpl.	All parts marked * are incl.
	101090E-R85	1	Pump cpl	All parts are incl.

Handle



Syrefast stål	Acid-resistant steel	Säurebeständiger Stahl	Inox - Anti acides	EN 1.4404 (AISI 316L) EN 1.4460 (AISI 329)
Rustfrit stål	Stainless steel	Edelstahl	Inox	EN 1.4305(AISI 303) EN 1.4460 (AISI 304)
Zink/Jern sort passivering med sealer	Zinc-iron black passivating + sealer	Zink/Eisen schwarz passiviert + Versiegelung	Zinc/traitement de surface polymère noir	Fe//ZnFeX//Fn//T2
Zink/Jern silver passivering med sealer	Zinc-iron silver passivating + sealer	Zink/Eisen silver passiviert + Versiegelung	Zinc/traitement de surface polymère argenté	Fe//ZnFeX//Cn//T2
Gummitætnede lejer	Rubber sealed bearings	Lager m/Gummidichtung	Roulements étanches	
Bronze	Bronze	Bronze	Bronze	
Malet 130-150 µm	Painted 130-150 µm	Gemalt 130-150 µm	Peinture 130-150 µm	

Handle

Item	Part no.	Qty	Description	Note
1	-	1	Handle	
2	435042	1	Axle RF	
3	475111	1	Busching	
4	475110	1	Handle roller	
5	937420	1	Tubular pin RF	
12	941108	2	Ball RF	
13	958123	1	Pressure spring RF	
14	435057	1	Release lever RF	
15	435036	1	Pin	
16	927060	1	Lock nut	
17	435037	1	Bushing for release handle RF	
18	917641	1	Screw RF	
19	435035	1	Top for handle RF	
21	435065K	1	Release rod cpl.	
	475100K	1	Handle cpl	All parts are incl.