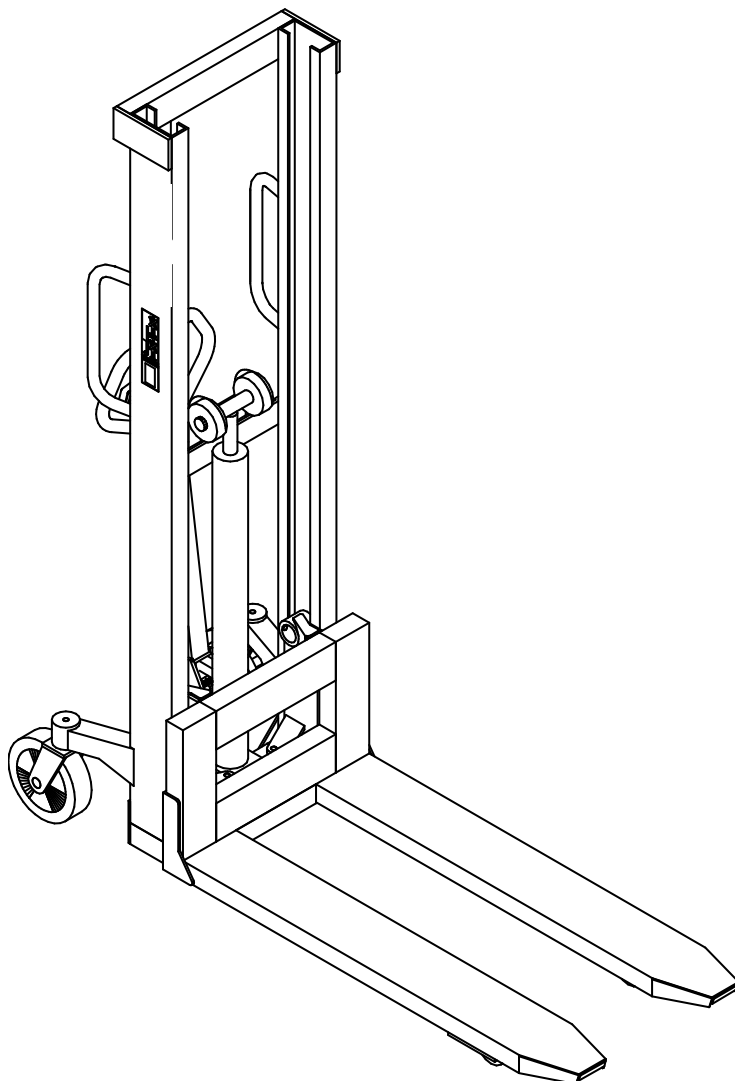


HS 1000RF-SEMI





1.0 Before the first lift...

The **Logitrans Stacker** is manufactured in accordance with safety directives.

Among the subjects dealt with in this **Instruction Manual** are:



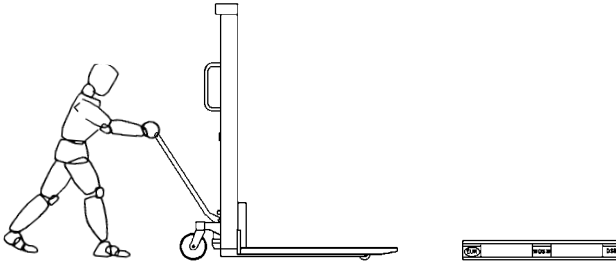
- **Proper application**
- **Physical limitations of the product**
- **Risks with improper use**

Therefore please read this Instruction Manual carefully!



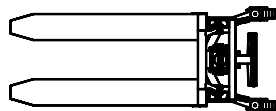
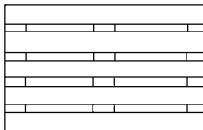
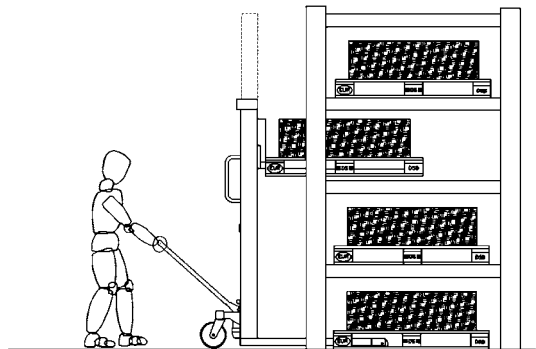
2.0 How to operate the stacker

2.1 Handling of pallets



For proper operation,
stand behind the handle.

Push/pull - pump.



HS RF-SEMI

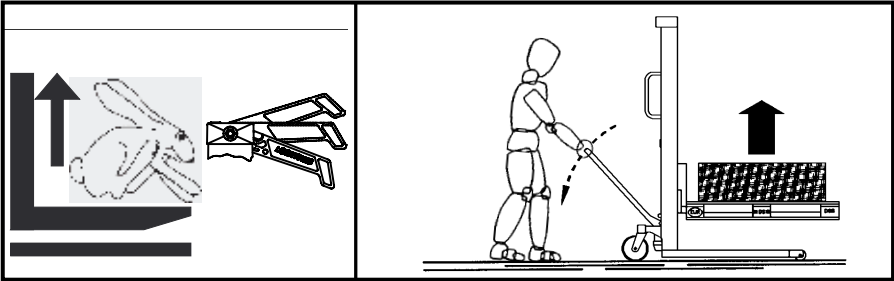
2.0 How to operate the stacker

2.2 The three release lever positions

1. Quick Lift
2. Normal Lift
3. Lowering

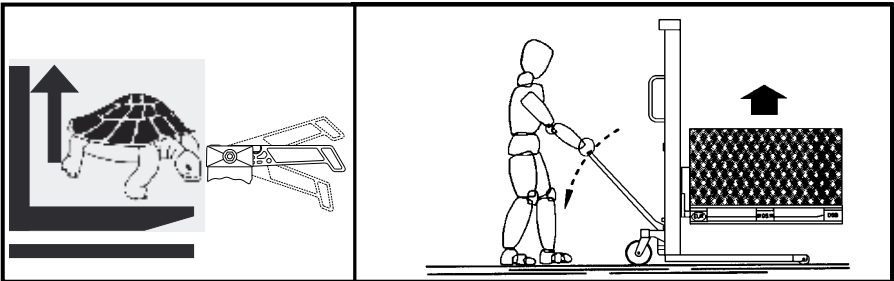
2.2.1 Quick Lift

0 - ca. 300 kg

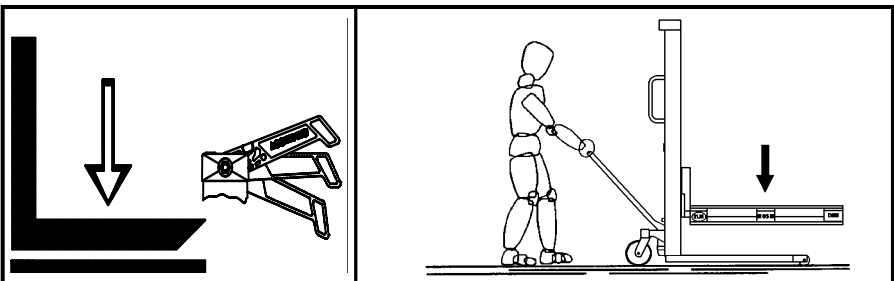


2.2.2 Normal Lift

ca. 300 - 1000 kg



2.2.3 Lowering





3.0 Optimum safety

3.1 Avoid overloads

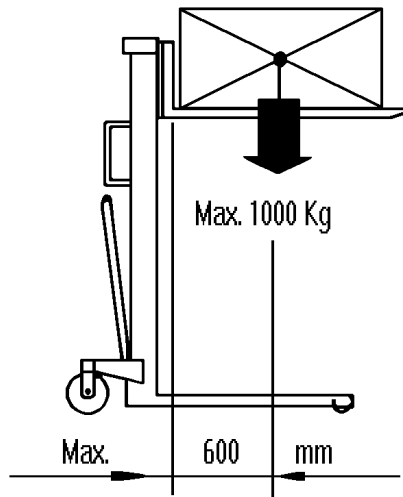
The maximum load must not be exceeded.

Remember, the stacker is designed for evenly distributed load, - goods on pallets etc. If the forks are pointloaded on one side there is a risk of bending.

3.2 Avoid offset loads

The load must be evenly distributed. The maximum centre of gravity distance from the front of the fork mast (given on the truck) must not be exceeded. A greater distance will reduce the level of safety and increase the risk of toppling.

Goods on pallets, etc. must be properly secured so that they cannot fall off during transport, when the truck is lifted, or when the truck must remain lifted for a time.



3.3 Safety valve/pressure relief valve

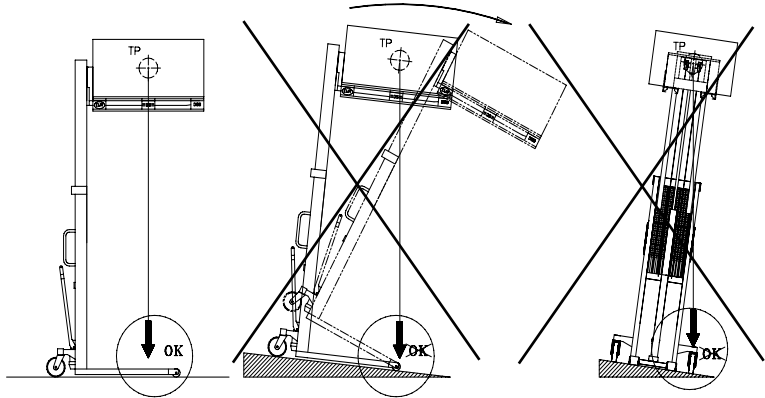
The pressure relief valve on the stacker is factory-set for the maximum design load (**1000 kg**). The setting protects the truck from overload so that it cannot be damaged by the inadvertent lifting of too high a load.

- If the pressure relief valve is defective, replace the entire valve insert.

When a valve insert is ordered from a distributor, replacement instructions accompany the replacement part.

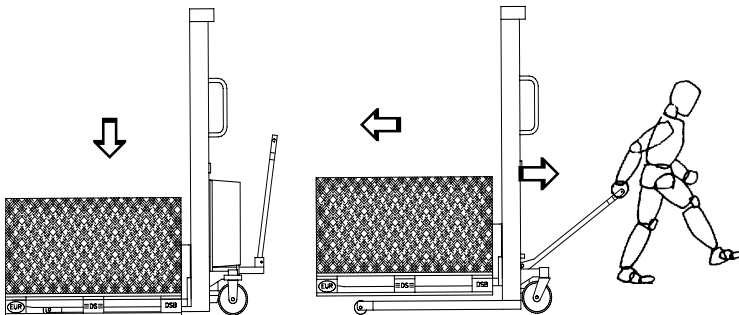
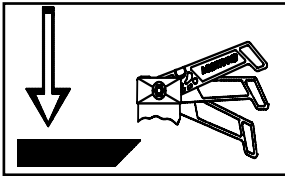
3.0 Optimum safety

3.4 Transport with load



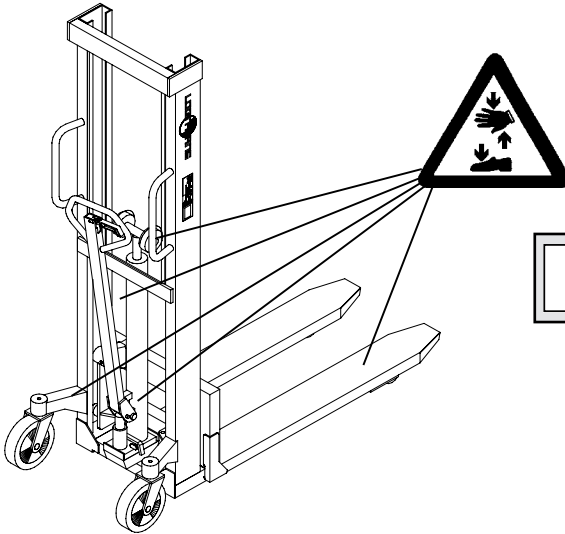
The stacker is designed for use on even and level floor. During transport the forks shall be raised as little as possible. Transport with raised forks should be made over the shortest possible distances and at low speed.

3.5 Emergency braking



If the wish is to use the load as a brake to prevent the stacker from running away, quickly pull the release lever up to lower the load to the ground.

3.0 Optimum safety



! ATTENTION
Moving parts

Safety regulations

- Never walk under a raised load!
- Before lowering the forks, make certain that no foreign elements can hinder the free lowering of the forks.
- The stacker is designed for use on an even and level floor.
- During transport the forks shall be raised as little as possible.
- Transport with raised forks should be made over the shortest possible distances and at low speed.
- Check that the chains lift equally. They shall be equally tight when the forks are loaded.
- Chains and chain bolts must not be damaged.
Chains that have become permanently stretched (max. 2% of original length) must be scrapped.





4.0 Long live the stacker

Regular inspection and the replacement of worn or defective parts in good time will prolong the life of the stacker.

“Prevention is better than repair”, therefore ensure:

- Correct usage
- Regular cleaning
- Periodic safety and service inspection

4.1 Lubrication and hydraulic oil



All ball bearings are lubricated with a lubricating grease for the food industry, and all moving parts are treated with a grease for the food industry. The hydraulic system is filled with hydraulic oil of viscosity class ISO VG 15 and viscosity index 372.

The oil is suited for use in the temperature range -40°C to $+50^{\circ}\text{C}$.

The hydraulic oil must be changed every second year.

4.2 Oil change

Draining the oil:

- Bring the forks down to the lowest position.
- Tip the truck over on its side and remove the plug No. 120.
- Oil now runs out of the filling hole.

Oil filling:

- Raise the truck again and pour about 0.25 litres of hydraulic oil.
- The oil must be on level with the filling hole.
- Pump the truck in top position.
- Replace plug No. 120 again.

4.0 Long live the stacker

4.3 Replacement of valve insert(s)

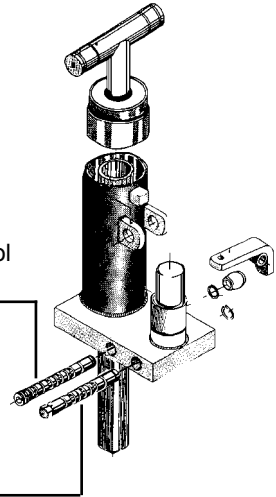
If all fault remedy possibilities (See middle pages) have been tried without satisfactory results the entire valve insert must be replaced.

Low-pressure valve insert 160094:

The insert contains both the valve control system and a pressure relief valve.

High-pressure valve insert 400672E:

The insert is sealed and cannot be activated externally.



When a new valve insert is ordered from a distributor, **replacement instructions** accompany the replacement part. Therefore order before replacing!

After replacement, adjust the oil quantity in the tank, as described under Oil change (point 4.2). Then **bleed** the system (pkt. 4.6).

4.4 Seal leakage

Locate the point at which oil leakage appears and then replace defective seals. (See spare parts list).

4.5 Valve cone does not seal completely

Pump quickly a few times so that oil quickly flows over the valve cone (best with a small load on the forks).

If this does not solve the problem, the valve insert must be replaced by a new one. (Replacement instructions accompany the new valve insert).

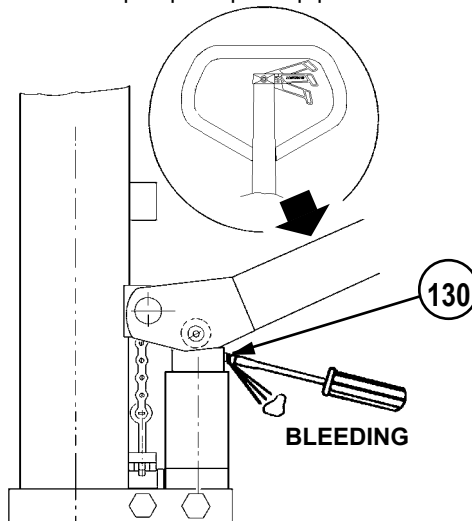
4.0 Long live the stacker

4.6 Bleeding the hydraulic system

The pump will not operate throughout its whole pump stroke if there is air in the hydraulic system. - The system can be bled as follows:

1. Pump the forks up to the top and sink them quickly
or
2. loosen screw no. 130 and press the handle down until no more air comes out of the screwhole. - The handle must only be pressed down when screw no. 130 has been loosened.
Tighten the screw again before raising the handle.

If the hydraulic system contains only a small amount of air, it will be bled automatically when the forks with load are pumped up to top position.



4.7 Cleaning



The product should not be cleaned with cleaning materials too frequently, as this can lead to corrosion on the galvanised parts. When cleaning the stacker, do not direct the jet onto bearings and seals. Otherwise the grease will be washed out and the life of the equipment shortened.

4.0 Long live the stacker

4.8 Adjustments of lowering mechanism

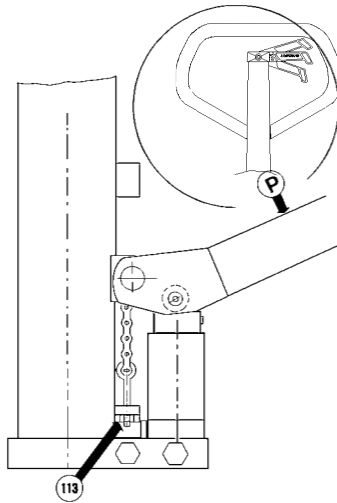
The lowering mechanism is adjusted correctly if:

Quick lift = when the release lever is in bottom position

Normal lift = when the locking pawl of the release lever is

If this is not the case, adjust as follows:

1. Place the release lever in normal position - locking pawl engaged
2. Press the handle down (pos. P)
3. Tighten in this position the nut pos. 113, as much as possible
- without the forks beginning to move down.



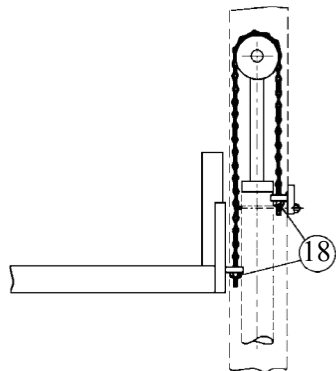
4.9 Adjustment of lifting chain

The chains shall be adjusted so that they lift equally.

Shall be equally tight.

Adjustment are made on nuts, pos. 18

(nut M12, key width 19 mm).



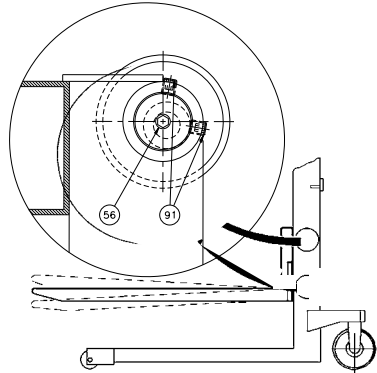
4.0 Long live the stacker

4.10 Fork adjustment

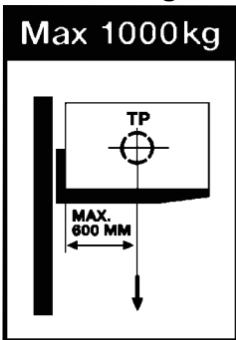
Two rollers on the fork bracket are mounted on eccentric pins so that they can be adjusted.

Adjustment:

1. Loosen screws pos. 91 (5 mm).
2. Pin pos. 56 can now be turned to give the necessary adjustment (8 mm).
3. To ensure the same load on all rollers, adjustment must be made on both sides.



4.11 Marking



The mast lifting capacity and the corresponding centre of gravity distance are given by the pictogram on the side of the mast.

The lifting capacity of the mast is the same as the max. lifting capacity of the product.

Max. lifting capacity is set on the safety valve in the product.

4.12 Warranty

Stain or tarnishing on the stacker because of the environment in which it is used or the way it is cleaned, are not covered by warranty.

See point 6.4 "Warranty conditions".



5.0 Fault location key

When the stacker is used every day, adjustments and the replacement of worn parts might be necessary.

BEFORE ASKING THE DISTRIBUTOR FOR ASSISTANCE...

...TRY THE FAULT LOCATION KEY!

SYMPTOMS AND SIGNS

- A** Forks move up and down with pump strokes _____
- B** The stacker does not lift to maximum height _____
- C** The load is difficult to pump with the handle in its normal position _____
- D** The forks do not lift quickly when the handle is in its Quick position _____
- E** Forks cannot be lowered _____
- F** The forks sink after they have been raised _____
- G** The forks cannot be raised by repeated pumping attempts _____
- H** Forks do not raise at the first pump stroke, or
the pump do not operate in the whole pump stroke _____
- I** Pump does not react when changing over the release lever (sluggishness) _____
- J** Forks cannot be lowered completely _____
- K** Forks do not lift horizontally _____
- L** The stacker is unable to lift 1000 kg to top position _____

	Cause	Mending
	Load heavier than the max. permissible	See point 3.3
	Oil deficiency	See point 4.1
	Valve control system needs adjustment Low pressure valve insert (160094) (control valve)	See point 4.3
	Seal leakage	See point 4.4
	Valve cone does not seal completely Frequently concerning high pressure valve insert (400672E)	See point 4.5
	Release pin jammed in control valve	Exchange rubber pin. If necessary the whole valve insert. See point 4.3
	Air in hydraulic	See point 4.6
A		
B		
C		
D		
E		
F		
G		
H		
I		
J		
K		
L		
	Low temperature. Degrees below freezing point.	See point 4.1
	Mast needs adjustment	See point 4.9/4.10
	Pressure relief valve	See point 4.3
	Lowering mechanism needs adjustment	See point 4.8
	<p>If the problem cannot be solved by using the fault location key...</p> <p>...please contact your distributor!</p>	



6.0 Good service after purchase

6.1 Ordering spare parts

The correct spare parts are obtainable from your dealer.

When ordering, please state:

- Serial number of the product
- Type and width/length of the product
- Spare part no. Please find spare part no. on [www. logitrans.com](http://www.logitrans.com).

6.2 Warranty/Compensation

Spare parts delivered during the warranty period will be invoiced. A credit note will be sent immediately after we have received and tested the defective parts and found that the warranty conditions have been met.

6.3 Service and repair

You should be able to make adjustments and perform minor repairs on the spot. However, major repairs should be left to the dealer who has well-trained personnel and the necessary special tools.

6.4 Warranty

The warranty covers material and assembly defects which, subject to inspection by us or our representative, are deemed to be faults or deficiencies that prevent normal use of the parts concerned. Such affected parts shall be sent to your Logitrans dealer carriage paid within the warranty period in force at the time in question, together with a copy of the documentation for the service performed (B284 - see the back page). The warranty does not cover normal wear and adjustments. The warranty period is based on singleshift working.

The warranty shall no longer apply if

- the product has been used incorrectly,
- the product is used in environments for which it was not designed,
- the product has been overloaded,
- replacements of parts have been made incorrectly or original parts have not been used and consequential damages have arisen,
- if the product is changed or accessories, not being approved by Logitrans, are used.
- it can not be proved that a qualified technician has performed the service check according to the requirements stated in the instruction manual (see the back page).

6.5 Liability exemption

The manufacturer accepts no responsibility for personal injury or material damage arising from deficiencies, defects or improper usage. The manufacturer accepts no responsibility for lost earnings, operating losses, lost time, lost profits or similar indirect losses incurred by the purchaser or a third party.

Periodic service check

Service check is required once each year, or at least for every 250 hours of operation

The service check is to be performed on the basis of form no. B280 and proved on form no. B284. Forms and instructions for the service check are available at your dealer.

Periodic safety inspection

Safety inspection should be performed by the dealer or other qualified persons at least once each year, unless local regulations state otherwise.

The safety inspection to be performed on the basis of form no. B278 and proved on form no. B284. Forms and instructions for the safety inspection are available at your dealer.

S 427