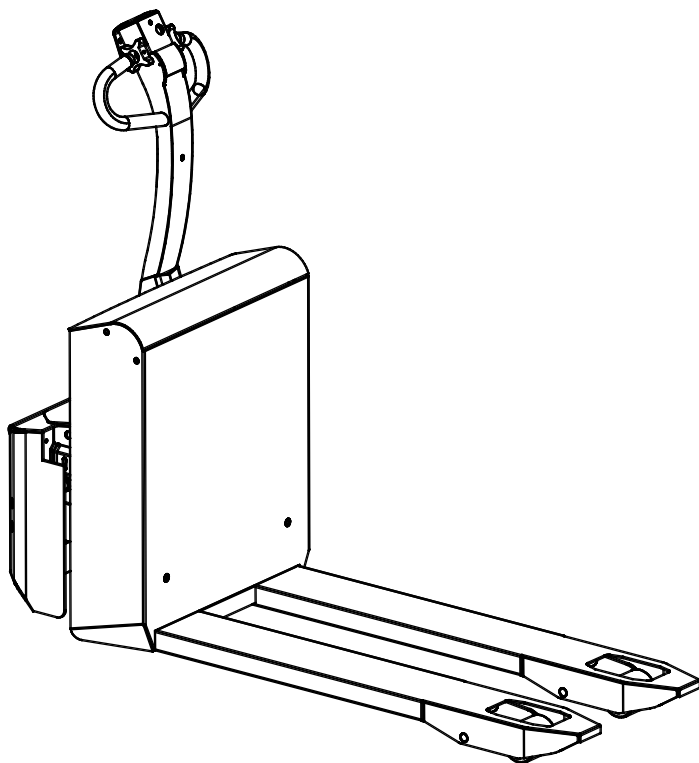


# PANTHER MINI / MAXI



## EU DECLARATION CONFORMANCE

Manufacturer: **Logitrans A/S**  
**Hillerupvej 35**  
**DK-6760 Ribe**  
**Denmark**

It is hereby declared that:

Machine:           Productgroup:                   Pallet truck with electric propulsion

                          Type:                                   Panther Mini / Maxi

                          Year of manufacture/  
Serial No:                               

- a) Has been manufactured in conformance with the stipulations of the:
- **Directive no. 2006/42/EC**
  - **Directive no. 2004/108/EC**
  - **Directive no. 2006/95/EC**
- b) Has been manufactured in conformance with the stipulations of the standard:
- **EN 1726-1**

Name:               **Erling Pedersen**

Position:           **Product manager**

Company:           **Logitrans A/S**

Signature:           

Product type declaration of:  
01.01.2010



# Contents

<b>1.0 Before the first lift...</b>	4
<b>2.0 Functions and identifications</b>	5
<b>3.0 How to operate the pallet truck</b>	6
3.1 Handling of pallets	7
3.2 Handle functions	8
3.3 Emergency stop	9
3.4 Brake function	10
3.5 Personal safety	10
<b>4.0 Optimum safety</b>	11
4.1 Avoid overloads	11
<b>5.0 There must be a current supply...</b>	12
5.1 Battery specifications	12
5.2 Wiring connections	13
<b>6.0 Fault location key</b>	14
6.1 Remedy	16
<b>7.0 Good service after purchase</b>	18
7.1 Ordering spare parts	18
7.2 Warranty/Compensation	18
7.3 Service and repair	18
7.4 Warranty	18
7.5 Liability exemption	18



## 1.0 Before the first lift...

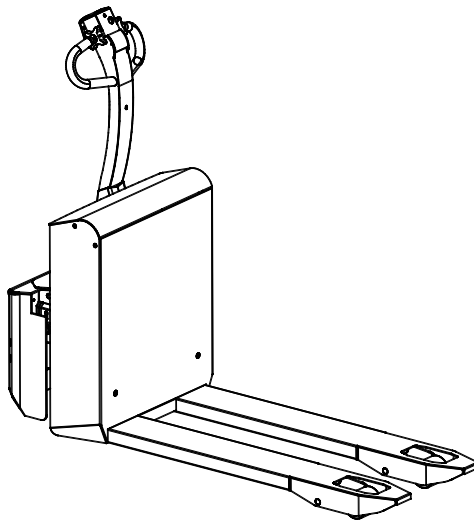
The **Logitrans** pallet truck is manufactured in accordance with safety directives.

Among the subjects dealt with in this **Instruction Manual** are:



- Proper application
- Physical limitations of the product
- Risks with improper use

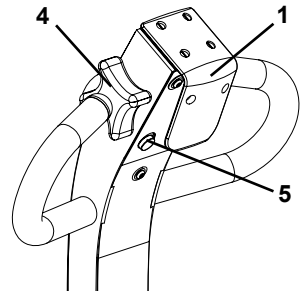
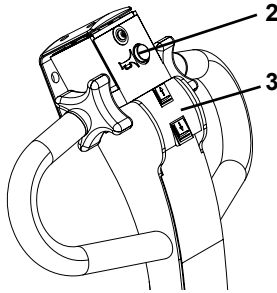
**Therefore please read this Instruction Manual carefully!**





## 2.0 Functions and identifications

1. Safety Switch
2. Horn
3. Lift/Lower
4. Forward/Reverse
5. Multiflex Function
6. Handle
7. Battery indicator / hours counter
8. Emergency Stop
9. Ignition Key
10. Charging Lamp (built-in charger)

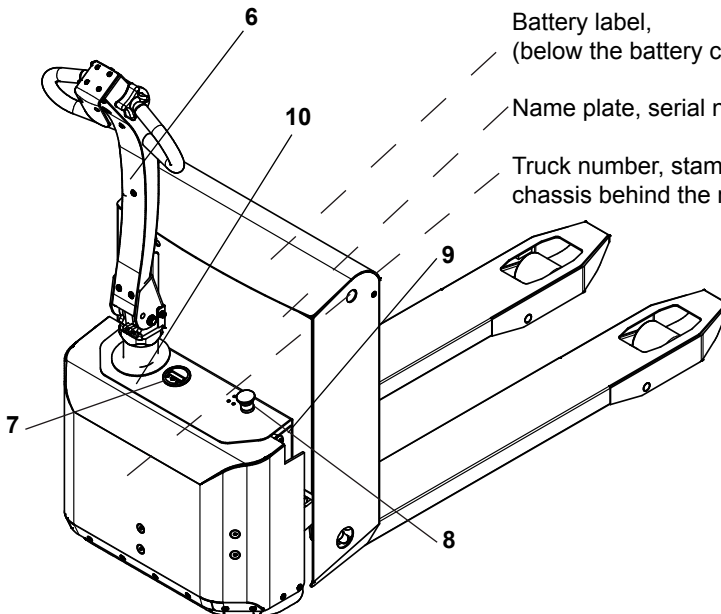


### Identification

Battery label,  
(below the battery cover)

Name plate, serial number

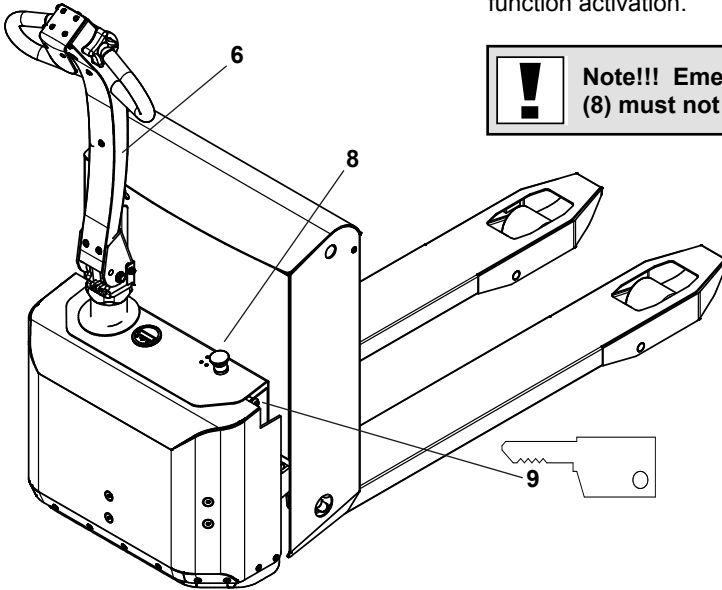
Truck number, stamped in  
chassis behind the rear cover.





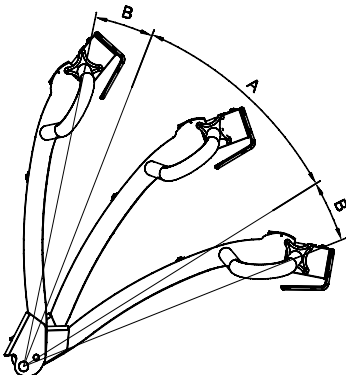
## 3.0 How to operate the pallet truck

Insert key (9) and turn clockwise to switch on control current ready for function activation.



**!** Note!!! Emergency stop (8) must not be activated.

The control functions of the pallet truck are located in the handle (6).  
- **The functions are dependent on the position of the handle!**



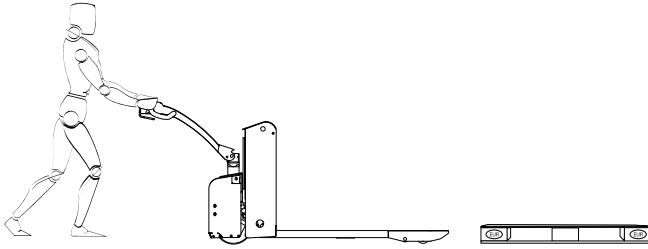
**Position A: Drive position**  
Drive current on  
Brake deactivated

**Position B: Stop/Brake/  
Emergency Stop**  
Drive current off  
Brake activated

### 3.0 How to operate the pallet truck

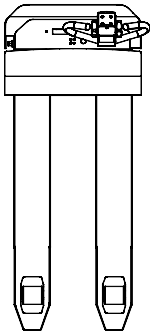
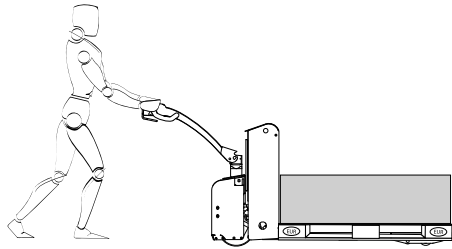
---

#### 3.1 Handling of pallets

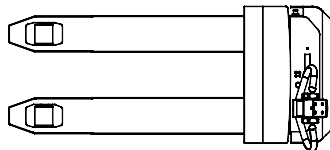
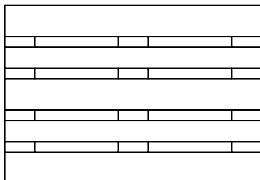


For proper operation,  
stand behind the handle.

Raise/lower - forward/reverse

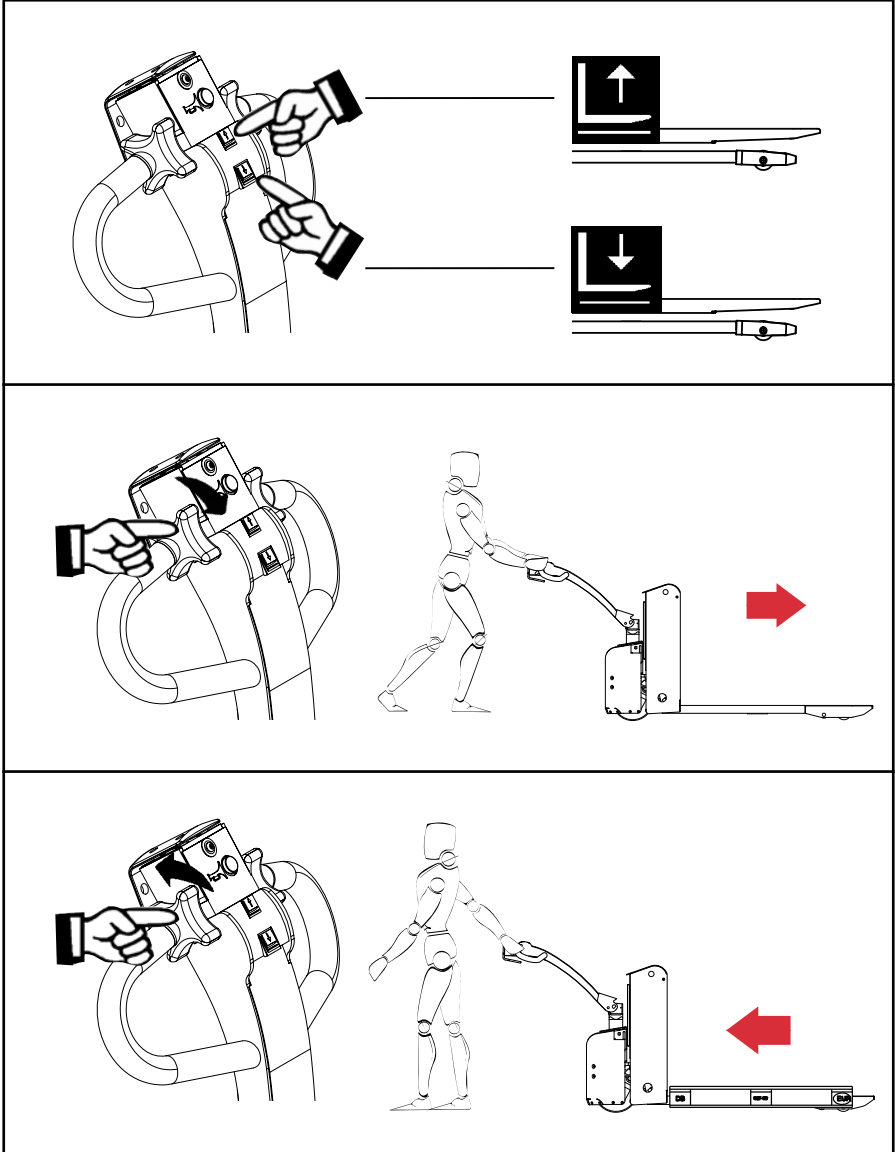


The pallet can be lifted and transported  
- either lengthwise  
- or crosswise



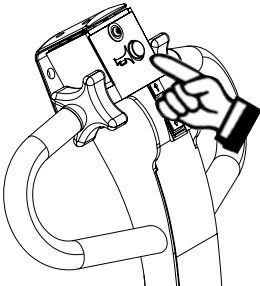
## 3.0 How to operate the pallet truck

### 3.2 Handle functions

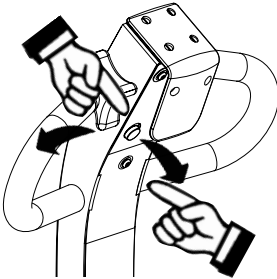





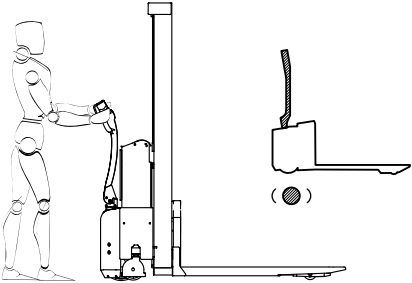
### 3.0 How to operate the pallet truck



**Horn**

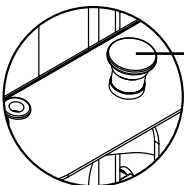


**Multiflex function**



**Multiflex function**

- This function makes it possible to drive the pallet truck, even though the handle is in its upright, braked position
- The function requires two-handed operation, i.e. it must be performed deliberately
- The function facilitates manoeuvring in restricted areas.



#### 3.3 Emergency stop

The product has an emergency stop. When activating the emergency stop, the main current supply is switched off.

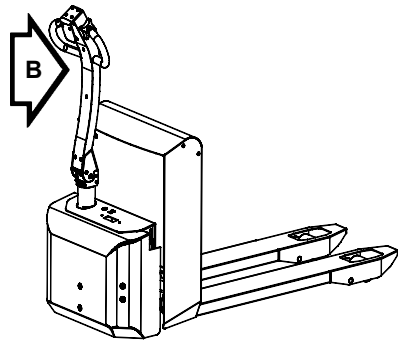
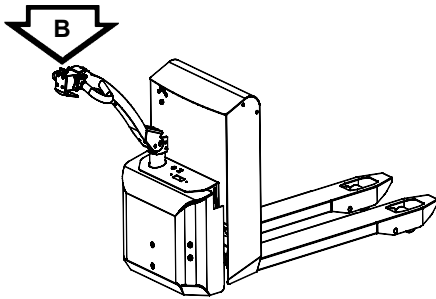
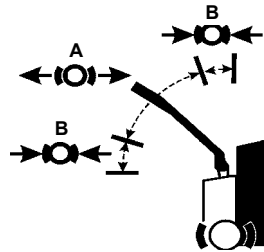
- The movement of the forks stops immediately
- Driving with the truck stops immediately.

## 3.0 How to operate the pallet truck

### 3.4 Brake function

**A:** Position for driving

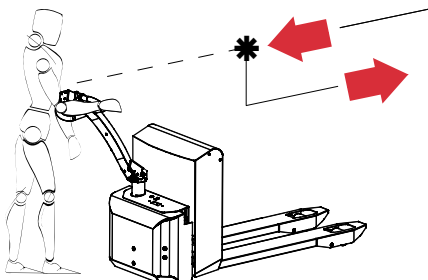
**B:** Position for braking  
See multiflex function  
for driving in B-position  
(see paragraph 3.2)



### 3.5 Personal safety

The safety switch on the end of the handle ensures that the operator cannot be trapped when the pallet truck is reversed.

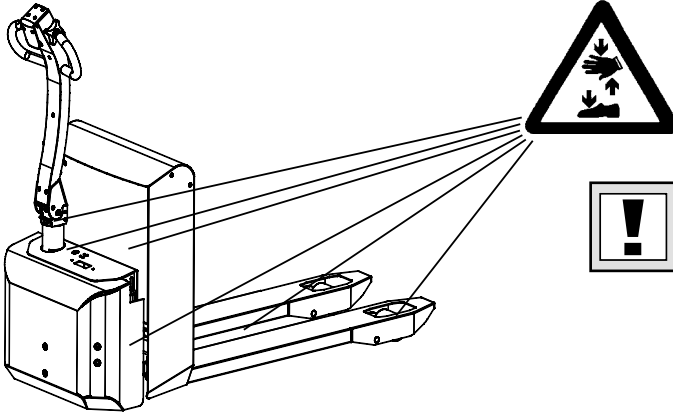
**When the safety switch is activated, the pallet truck will change direction and move forwards.**



**Safety function**



## 4.0 Optimum safety

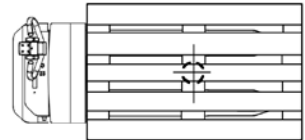


**!** ATTENTION  
Moving parts

### 4.1 Avoid overloads

Panther Mini: Max. load 1400 kg

Panther Maxi: Max. load 1800 kg

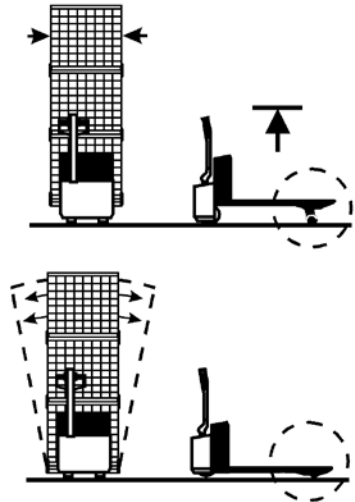
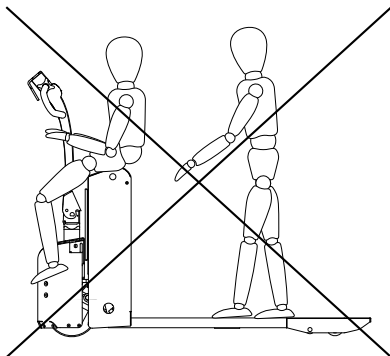


The maximum load must not be exceeded.

**Remember**, the pallet truck is designed for evenly distributed load; - goods on pallets etc.

If the forks are point-loaded on one side, there is a risk of bending.

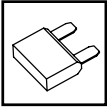
**!** CAUTION! Stability is achieved when pallet truck is at the top



## 5.0 There must be a current supply...

---

### 5.1 Fuses - replacement



There are 4 fuses in the electrical circuit, located behind the plate with this pictogram.



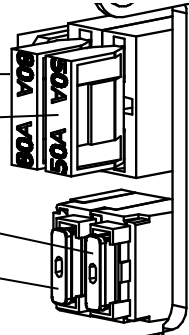
50 Amp fuse for driving motor (Panther Mini)

80 Amp fuse for driving motor (Panther Maxi)

50 Amp fuse for lifting motor

15 Amp fuse (built-in charger Soneil)

5 Amp fuse in the control current circuit



#### **Replacement:**

The old fuse is to be removed and replaced by a new one of the same size.

Do not insert a larger fuse; the fuse acts as a protector for the pump motor.

**Find out why fuses blow!**

## **5.0 There must be a current supply...**

---

### **5.2 Wiring connections**

**Many operational disturbances are caused by bad connections in the electrical circuit. Make sure that the connections are in order.**

Check connections regularly for damage at insulating caps or bad connections at plugs etc.

Verdigris must be removed from cable plugs. Keep all screw/nut connections tight.



## 6.0 Fault location key

When the pallet truck is used every day, adjustments and the replacement of worn parts might be necessary.

Adjustments and minor repair can easily be made on the spot. Major repairs should, however, be carried through by the dealer who has a well-trained staff and the necessary special tools.

	<p><b>Before asking the dealer for assistance... ...try the fault location key!</b></p>
--	---

### Symptoms and observations

- A** The pallet truck does not drive when the handle is tilted and drive grip turned!
  - no click can be heard from relays when the handle is tilted \_ \_ \_ \_ \_
  - no click can be heard when the multiflex button is activated \_ \_ \_ \_ \_
  - the motor makes a humming noise \_ \_ \_ \_ \_
- B** The pallet trucks drives slowly \_ \_ \_ \_ \_
- C** The pallet trucks brakes when drive grip is released (handle tilted) \_ \_ \_ \_ \_
- D** The pallet truck does not brake when handle is tilted to upper or lower position
- E** The pallet truck brakes too little/too much \_ \_ \_ \_ \_
- F** Forks do not lift when "UP" is pressed \_ \_ \_ \_ \_
- G** No click can be heard when "UP" is pressed \_ \_ \_ \_ \_
- H** Forks lift only a little/not to max. height when "UP" is pressed \_ \_ \_ \_ \_
- I** Forks do not sink when "DOWN" is pressed \_ \_ \_ \_ \_
- J** Forks sink slowly \_ \_ \_ \_ \_
- K** The battery is not charged (no light in charging lamp) \_ \_ \_ \_ \_
- L** Error 1.4 \_ \_ \_ \_ \_

**Cause**

**Mending**

	Cause	Mending
	Inadequate power supply	1)
	Battery discharged (error 4.2)	2)
	Fault in on/off switch	3)
	Fault in control current circuit	4)
	Fault in main/power current circuit	5)
	Too little current on battery (error 4.2)	6)
	No current on brake	7)
	The controller parameters are not set correctly	8)
	Insufficient oil in tank. Load too heavy, safety valve is set wrongly	9)
	No current on solenoid valve.	10)
	Oil circuit leakage	11)
	Fault in charging circuit	12)
	Forward/Reverse knob activated before handle is in pos. A	13)
	<p><b>If the problem cannot be solved by using the fault location key... ...contact the dealer!</b></p>	

**A**

- — ● — ● — ● — ● — ● —

- — ● — ● — ● — ● —

- — ● — — — — — ● — ● —

**B** — ● — — — — — ● — ● —

**C** — — — — — — — — ● — ● —

**D** — — — — — ● — — — — — ● —

**E** — — — — — — — — — — — ● —

**F** — ● — — — — — ● — — — — ● —

**G** — ● — ● — — — — ● — — — —

**H** — ● — — — — — ● — — — — ● —

**I** — — — — — ● — — — — — ● —

**J** — — — — — — — — — — — ● —

**K** — — — — — — — — — — — ● —

**L** — — — — — — — — — — — — — ●



## 6.0 Fault location key

---

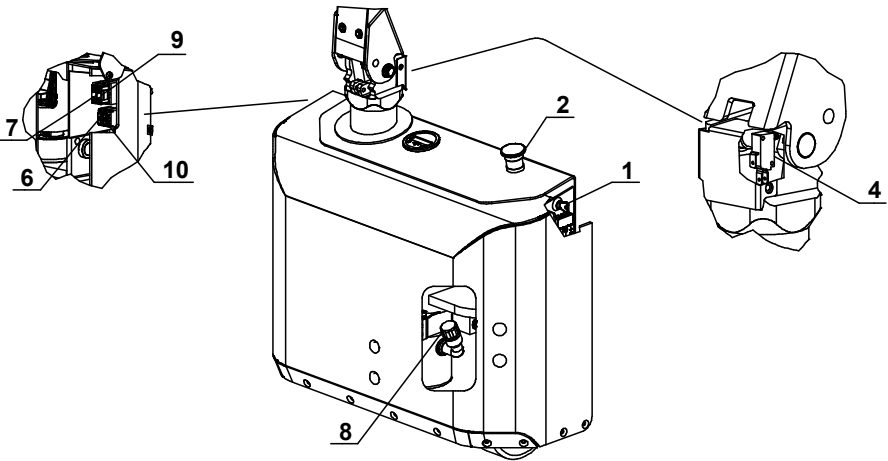
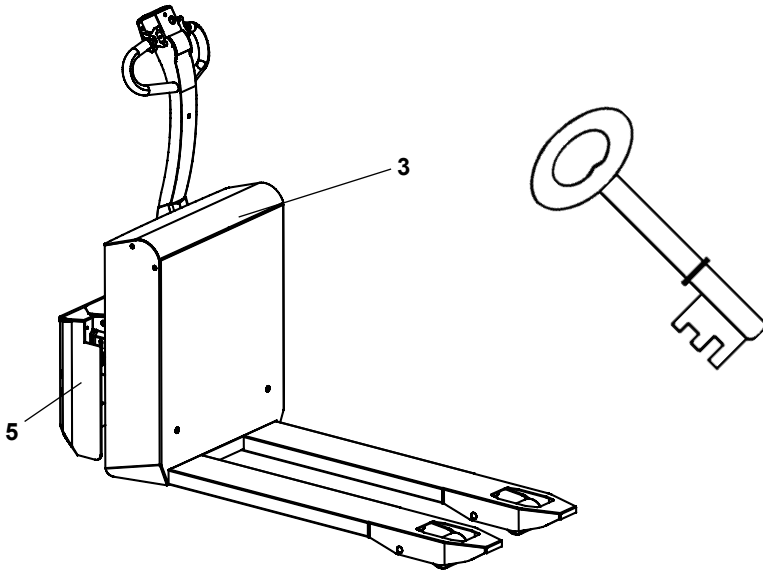
### 6.1 Remedy

- 1) Check that the key (1) is turned clockwise and that emergency stop (2) is not activated.
- 2) Charge battery - (see separate instruction manual for battery and charger). Access to the battery is achieved by removing the battery lid (3).
- 3) Check switch (4). Check cable connections on switch.
- 4) Check control current fuse: 5 A (6).  
If the fuse is intact and the truck does not drive, contact the dealer.
- 5) Check main fuse for driving motor (7).  
Check cable connections on drive motor and pump motor.  
If no fault can be found and the truck does not drive, contact the dealer.
- 6) Check the wire connections between the battery cells, and to the battery. In case of verdigris on the connections, these are to be cleaned.  
Check that all cable connections are fixed.
- 7) Check the wiring loom on the side of the wheel motor. Check that the brake is activated when the handle is activated. Check that the brake is adjusted correctly.  
If no fault can be found and the truck still brakes, please contact the dealer.
- 8) Please contact the dealer for the adjustment of the controller parameters.
- 9) Fill in oil through filler (8). The oil level must reach the underside of the filling plug.  
Oil type:  
Hydraulic oil ISO VG 15 (factory-filled with Texaco Rando HD 15).  
Max. load given on name plate. If the truck can not lift the load, given on the name plate, contact the dealer.
- 10) Check the fuse for the pump motor: 50 A (9).  
If the fuse is intact and the truck does not lift, contact the dealer.
- 11) Locate the oil leak and contact the dealer.  
To localise the leak it is necessary to remove the rear cover (5).
- 12) Check the fuse for the charger (10).
- 13) Place the handle in drive position before turning the forward/reverse knob.



## 6.0 Fault location key

---



## 7.0 Good service after purchase

### 7.1 Ordering spare parts

The correct spare parts are obtainable from your dealer.

When ordering, please state:

- Serial number of the product
- Type and width/length of the product
- Spare part no. Please find spare part no. on [www. logitrans.com](http://www.logitrans.com).

### 7.2 Warranty/Compensation

Spare parts delivered during the warranty period will be invoiced. A credit note will be sent immediately after we have received and tested the defective parts and found that the warranty conditions have been met.

### 7.3 Service and repair

You should be able to make adjustments and perform minor repairs on the spot. However, major repairs should be left to the dealer who has well-trained personnel and the necessary special tools.

### 7.4 Warranty

The warranty covers material and assembly defects which, subject to inspection by us or our representative, are deemed to be faults or deficiencies that prevent normal use of the parts concerned. Such affected parts shall be sent to your Logitrans dealer carriage paid within the warranty period in force at the time in question, together with a copy of the documentation for the service performed (B284 - see the back page). The warranty does not cover normal wear and adjustments. The warranty period is based on singleshift working.

#### **The warranty shall no longer apply if**

- the product has been used incorrectly,
- the product is used in environments for which it was not designed,
- the product has been overloaded,
- replacements of parts have been made incorrectly or original parts have not been used and consequential damages have arisen,
- if the product is changed or accessories, not being approved by Logitrans, are used.
- it can not be proved that a qualified technician has performed the service check according to the requirements stated in the instruction manual (see the back page).

### 7.5 Liability exemption

The manufacturer accepts no responsibility for personal injury or material damage arising from deficiencies, defects or improper usage. The manufacturer accepts no responsibility for lost earnings, operating losses, lost time, lost profits or similar indirect losses incurred by the purchaser or a third party.



### **Periodic service check**

Service check is required once each year, or at least for every 250 hours of operation

The service check is to be performed on the basis of form no. B280 and proved on form no. B284. Forms and instructions for the service check are available at your dealer.

### **Periodic safety inspection**

Safety inspection should be performed by the dealer or other qualified persons at least once each year, unless local regulations state otherwise.

The safety inspection to be performed on the basis of form no. B278 and proved on form no. B284. Forms and instructions for the safety inspection are available at your dealer.

S 910

Pan-mini-maxi-EN  
010310