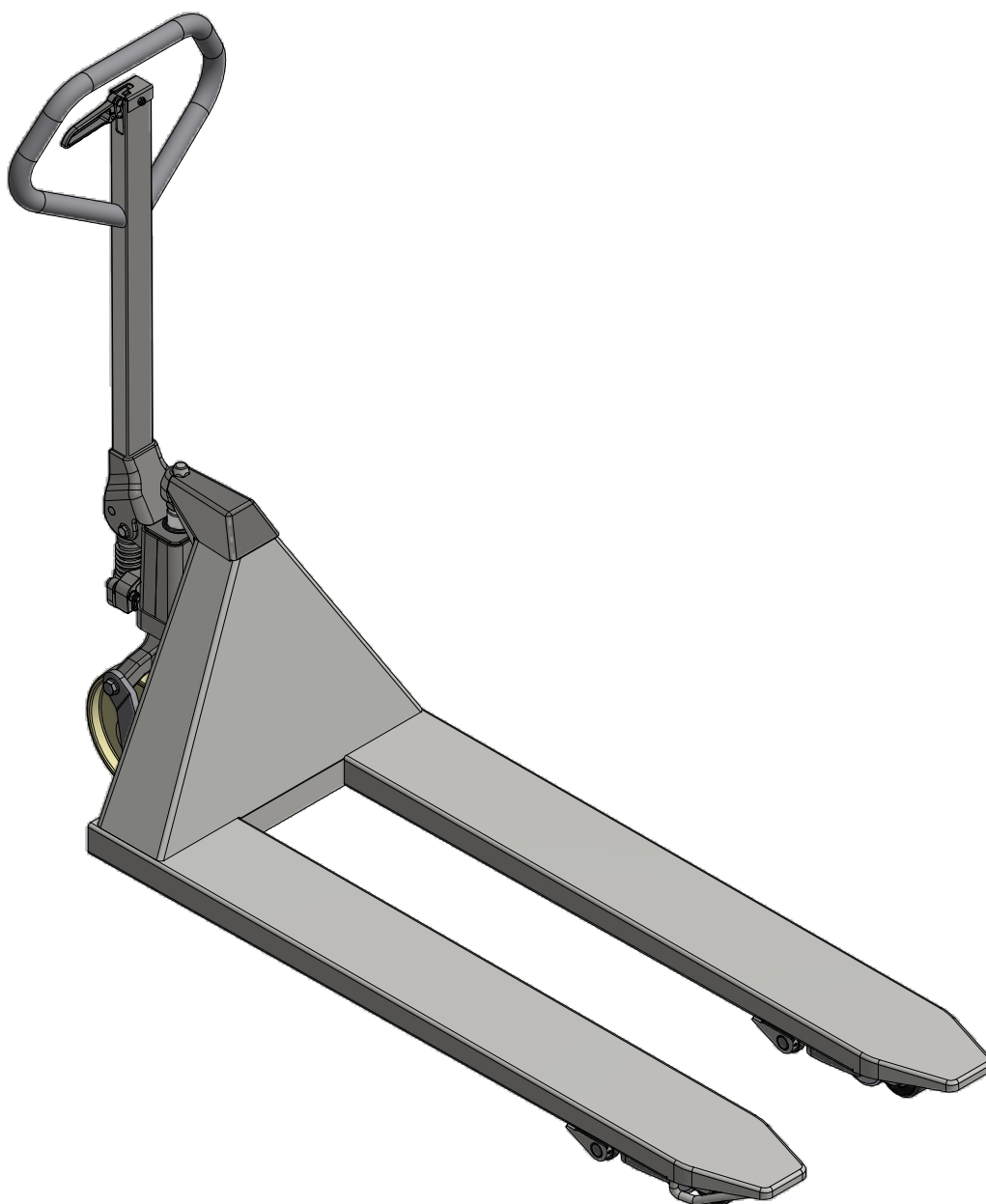
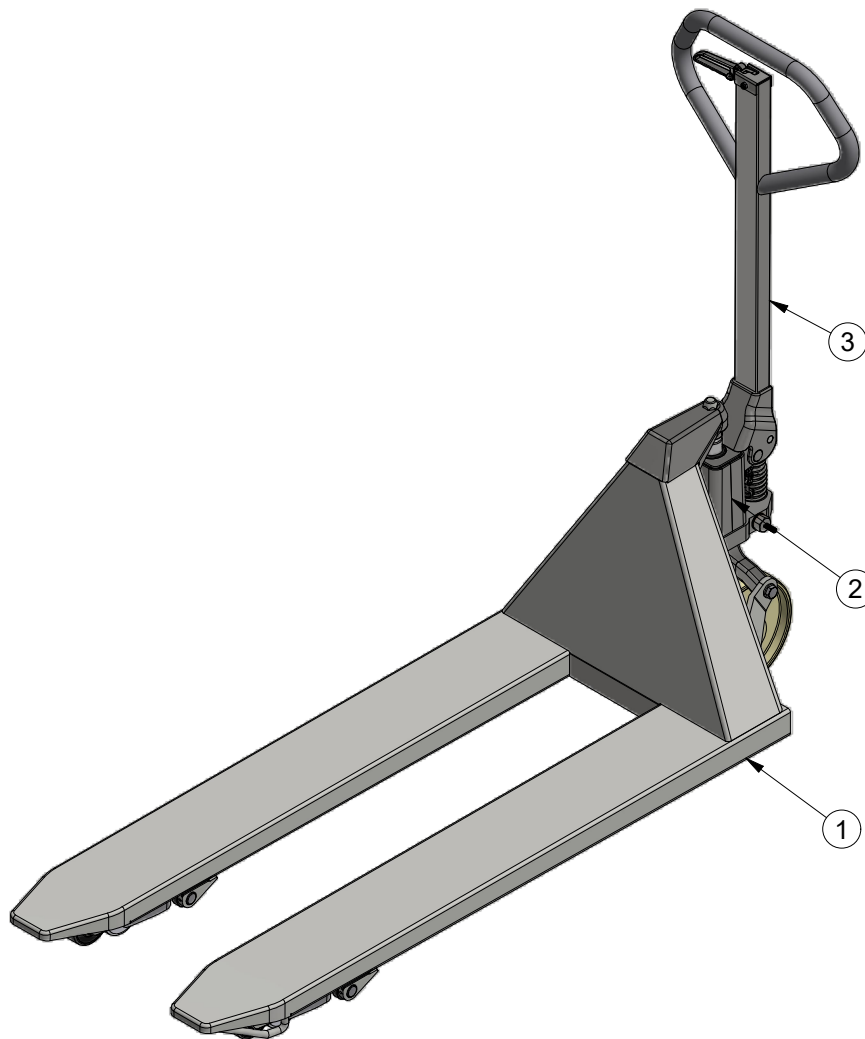


# Panther Inox Plus

## SPARE PARTS LIST





# Index

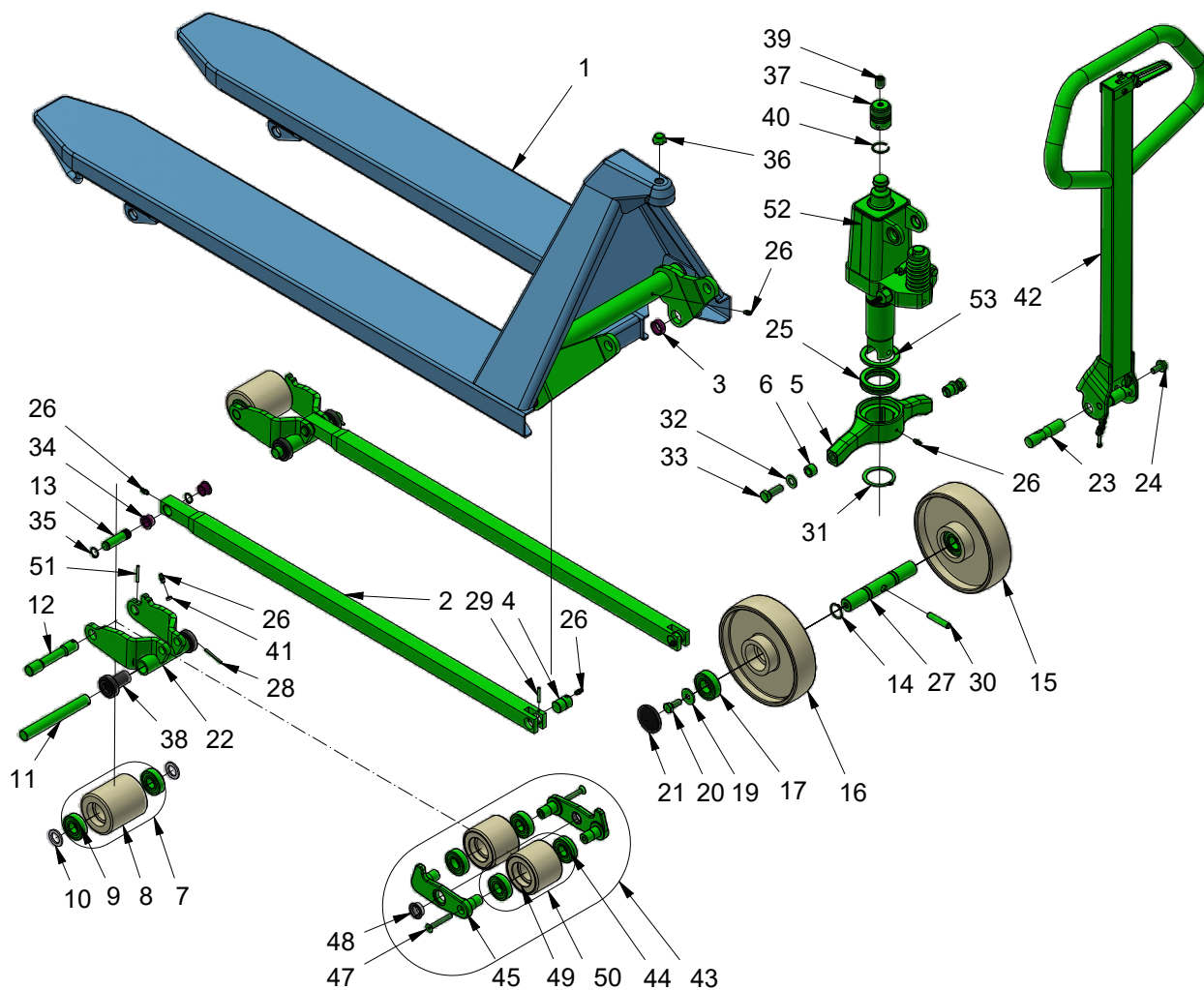
<b>1.Chassis .....</b>	<b>3</b>
<b>2.Pump.....</b>	<b>6</b>
<b>3.Handle.....</b>	<b>8</b>



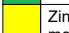
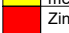


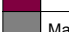
The original spare parts are available from your dealer.  
When ordering, please state:

- Serial number of the product
- Type and width/length of the product
- Spare part no.

The information contained in this spare parts list is updated at the time of publication.  
However, in the course of constant development, changes in specifications are inevitable.  
Should you find the information given in this spare parts list different to the actual machine, please contact the "After Sales Department" for advice.

# Chassis



	Syrefast stål	Acid-resistant steel	Säurebeständiger Stahl	Inox - Anti acides	EN 1.4404 (AISI 316L) EN 1.4460 (AISI 329)
	Rustfrit stål	Stainless steel	Edelstahl	Inox	EN 1.4305(AISI 303) EN 1.4460 (AISI 304)
	Zink/Jern sort passivering med sealer	Zinc-iron black passivating + sealer	Zink/Eisen schwarz passiviert + Versiegelung	Zinc/traitement de surface polymère noir	Fe//ZnFeX//Fn//T2
	Zink/Jern silver passivering med sealer	Zinc-iron silver passivating + sealer	Zink/Eisen silver passiviert + Versiegelung	Zinc/traitement de surface polymère argenté	Fe//ZnFeX//Cn//T2
	Gummitættnede lejer	Rubber sealed bearings	Lager m/Gummidichtung	Roulements étanches	
	Bronze	Bronze	Bronze	Bronze	
	Malet 130-150 µm	Painted 130-150 µm	Gemalt 130-150 µm	Peinture 130-150 µm	

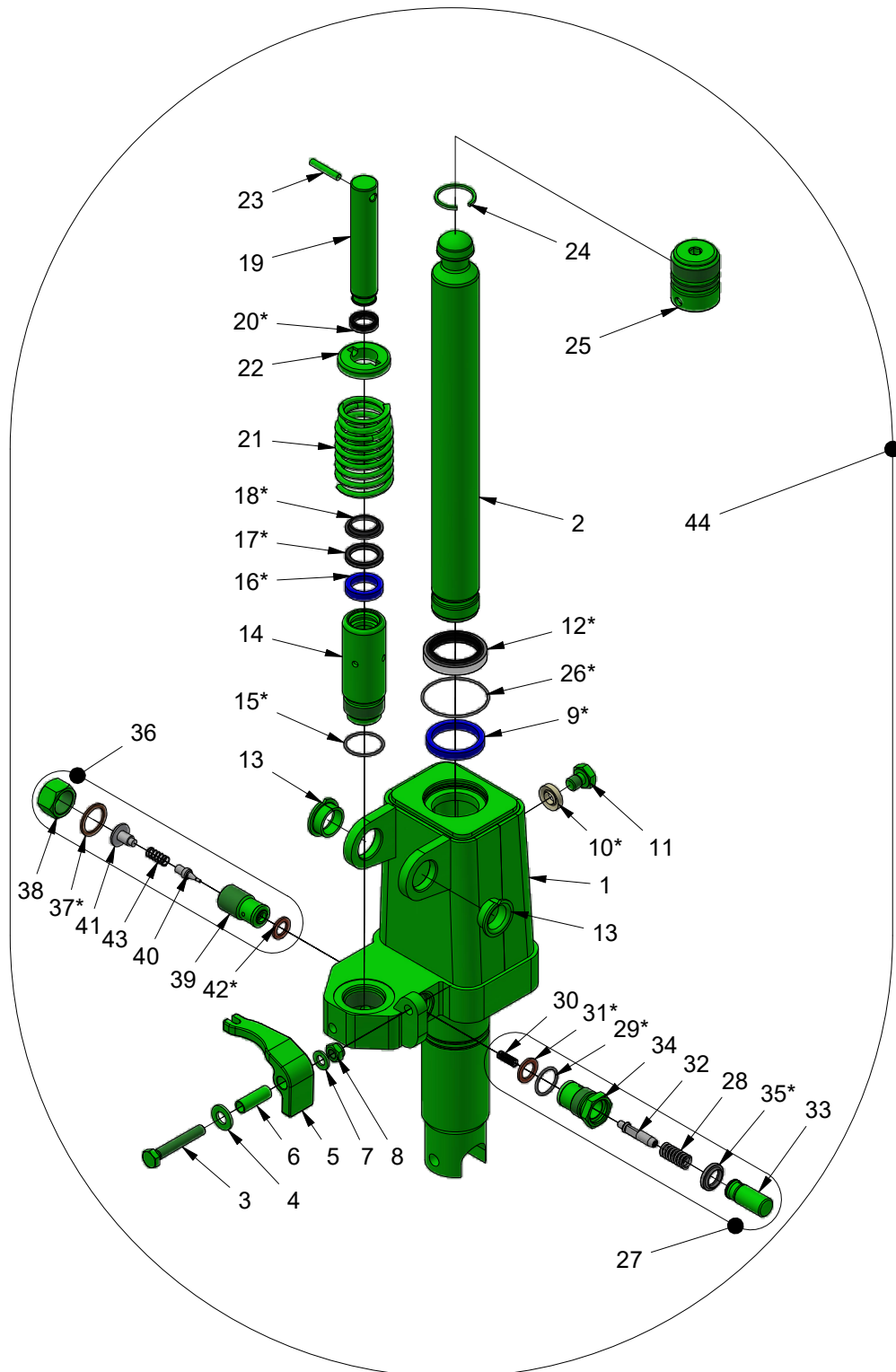
# Chassis




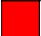
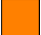


Item	Part no.	Qty	Description	Note
1	475000-1 475000-2 475000-3 475000-6 475000-8 475000-9 475001-1 475001-2 475001-3 475001-6 475001-8 475001-9	1	Chassis 520x1140 Chassis 520x915 Chassis 520x1220 Chassis 520x1520 Chassis 520x810 Chassis 520x970 Chassis 680x1140 Chassis 680x915 Chassis 680x1220 Chassis 680x1520 Chassis 680x810 Chassis 680x970	
2	475045-1 475045-2 475045-3 475045-6 475045-8 475045-9	2	Push rod 1140 Push rod 915 Push rod 1220 Push rod 1520 Push rod 810 Push rod 970	
3	475040	2	Bushing	
4	475041	2	Axle to a push rod	
5	475050 475051	1	Thrust plate 520 Thrust plate 680	
6	400950	2	Bushing stainless	
7	4015771LRF 435411LRF 4035521LRF	2	Fork wheel nylon white Ø80 w/b Fork wheel, poly, Ø80 w/b Fork wheel nyl. wht Ø70w/b(PIPxx7x)	
8		2	Fork wheel nylon white Ø80 Fork wheel, poly, Ø80 Fork wheel nylon wht Ø70 (PIPxx7x)	Availab. only with ball bearings
9	947242	4	Ball bearing RF	
10	400159	4	Nylon Washer	
11	400156	2	Fork wheel axle stainless	
12	415353RF	2	Wheel axle, stainl.	
13	415356RF	2	Axle pushrod wheel fork	
14	933251	2	Circlip RF	
15	4039031LRF 435410LRF 300049DLRF	2	Steering wheel Ø200 Nylon cpl Steering wheel Ø200 Polyurethan cpl Steering wheel Ø200 anti-static cpl	
16		2	Steering wheel nyl. white Ø200 Steering wheel Ø200 Polyurethan Steering wheel Ø200 anti-static	Availab. only with ball bearings
17	947252	2	Ball bearing RF	
19	928101	2	Washer	
20	917125	2	Screw RF	

# Chassis

Item	Part no.	Qty	Description	Note
21	944201	2	Hub cap	
22	475030 475030F	2	Wheel fork Wheel fork (PIPxx7x)	
23	435041	1	Handle axle RF	
24	917123	1	Screw	
25	945050RF	1	Thrust bearing	
26	990112	9	Lubricator nipple RF	
27	475065	1	Steering wheel axle	
28	937440	2	Tubular pin RF	
29	937430	2	Tubular pin RF	
30	937150	1	Pipe pin RF	
31	933501	1	Circlip	
32	924130	2	Washer	
33	917235	2	Screw stainless	
34	475047	4	Bushing	
35	933161	4	Circlip RF	
36	475130	1	Cover cap	
37	415204RF 415205RF	1	Ball socket 85 mm stainl. (Inox xx8x) Ball socket 75 mm stainl. (Inox xx7x)	Included in Pump cpl.
38	415120K 415126RFK	4	Bushing, cpl. Ø40 Bushing cpl. Panther Inox (PIPxx7x)	
39	435061-1	1	Pointed screw	
40	935232RF	1	Spring ring	Included in Pump cpl.
41	929231	2	Washer	
42	475100K	1	Handle cpl.	
43	300244 3002431 4750341	2	Tandem cpl. poly. RF Tandem cpl nylon white Tandem cpl. (PIPxx7x)	
44	947242	8	Ball bearing RF	
45	404207 404207F	4	Tandem fork RFP-RFS Tandem fork RF (PIPxx7x)	
47	917856	4	Screw M8X55 RF	
48	404281	4	Busching with flange RF	
49		4	Tandem wheel poly. Ø80 Tandem wheel Nylon White Ø80 Wheel Ø70X68 nyl.wht (PIPxx7x)	Availab. only with ball bearings
50	435412LRF 4020811LRF 475034LRF	4	Tandem wheels Ø80x70 Poly RF Tandem wheel nylon Ø81x68 white Wheel Ø70X68 nyl. wht w/b(PIPxx7x)	
51	937435	2	Tubular pin RF	
52	101090-R75 101090-R85	1	Pump cpl.PIP2072 Pump cpl.PIP2082	
53	475070	1	Distance ring	only PIPxx7x

# Pump

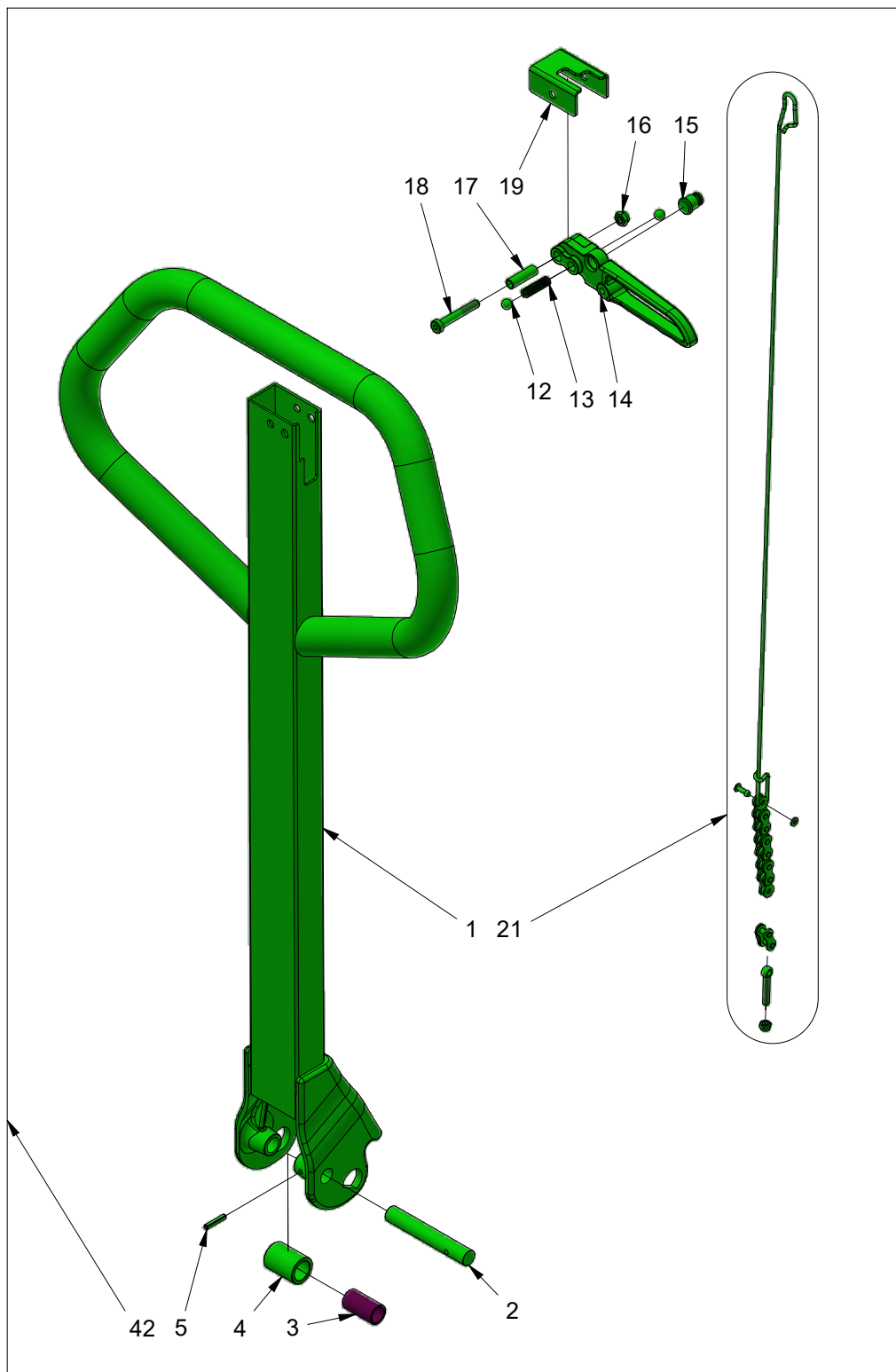


	Syrefast stål	Acid-resistant steel	Säurebeständiger Stahl	Inox - Anti acides	EN 1.4404 (AISI 316L) EN 1.4460 (AISI 329)
	Rustfrit stål	Stainless steel	Edelstahl	Inox	EN 1.4305(AISI 303) EN 1.4460 (AISI 304)
	Zink/Jern sort passivering med sealer	Zinc-iron black passivating + sealer	Zink/Eisen schwarz passiviert + Versiegelung	Zinc/traitement de surface polymère noir	Fe//ZnFeX//Fn//T2
	Zink/Jern silver passivering med sealer	Zinc-iron silver passivating + sealer	Zink/Eisen silver passiviert + Versiegelung	Zinc/traitement de surface polymère argenté	Fe//ZnFeX//Cn//T2
	Gummitætnede lejer	Rubber sealed bearings	Lager m/Gummidichtung	Roulements étanches	
	Bronze	Bronze	Bronze	Bronze	
	Malet 130-150 µm	Painted 130-150 µm	Gemalt 130-150 µm	Peinture 130-150 µm	

# Pump

Item	Part no.	Qty	Description	Note
1	415370RF	1	Pump stainless welded	
2	415203RF	1	Piston rod	
3	917851	1	Screw	
4	928100	1	Washer RF	
5	415371RF	1	Release arm f/pump	
6	415008	1	Spacer pipe release	
7	928080	1	Washer	
8	927082	1	Lock nut	
9*		1	U-sleeve	
10*		1	Plug gasket	
11	917112	1	Screw RF	
12*		1	Wiper seal	
13	404281	2	Busching with flange RF	
14	415033RF	1	Pump cylinder	
15*		1	O-ring	
16*		1	U-sleeve	
17*		1	Quad ring	
18*		1	Scraper ring	
19	415004RF	1	Pump piston	
20*		1	Guide ring	
21	958430RF	1	Compression spring	
22	415284RF	1	Spring washer stainless	
23	400171	1	Steel pin	
24	935232RF	1	Spring ring	
25	415204RF	1	Ball socket 85 mm stainless	PIP 2082
	415205RF		Ball socket 75 mm stainless	PIP 2072
26*		1	O-ring	
27	100492RF	1	Safety valve cpl.	
28	958130	1	Spring	
29*		1	O-ring	
30	958058	1	Spring	
31*		1	Copper washer	
32	100013-5	1	Safety valve 2000 kg	
33	415011-1	1	Release pin	
34	435050-1	1	Valve house safe.valve RF	
35*		1	Wiper seal	
36	170491RF	1	Release valve insert cpl. RF	
37*		1	Copper washer	
38	435052	1	Valve cap nut SS	
39	435051	1	Valve housing f/releasecone SS	
40	415016	1	Release cone	
41	415385	1	Guide for spring	
42*		1	Copper washer	
43	958072	1	Spring	
44	101090-R85	1	Pump cpl. PIP2082	
	101090-R75		Pump cpl. PIP2072	
	100050	1	Gaskets cpl.	All parts marked * incl.

# Handle



Syrefast stål	Acid-resistant steel	Säurebeständiger Stahl	Inox - Anti acides	EN 1.4404 (AISI 316L) EN 1.4460 (AISI 329)
Rustfrit stål	Stainless steel	Edelstahl	Inox	EN 1.4305(AISI 303) EN 1.4460 (AISI 304)
Zink/Jern sort passivering med sealer	Zinc-iron black passivating + sealer	Zink/Eisen schwarz passiviert + Versiegelung	Zinc/traitement de surface polymère noir	Fe//ZnFeX//Fn//T2
Zink/Jern silver passivering med sealer	Zinc-iron silver passivating + sealer	Zink/Eisen silver passiviert + Versiegelung	Zinc/traitement de surface polymère argenté	Fe//ZnFeX//Cn//T2
Gummitætnede lejer	Rubber sealed bearings	Lager m/Gummidichtung	Roulements étanches	
Bronze	Bronze	Bronze	Bronze	
Malet 130-150 µm	Painted 130-150 µm	Gemalt 130-150 µm	Peinture 130-150 µm	



# Handle

Item	Part no.	Qty	Description	Note
1		1	Handle	
2	435042	1	Axle RF	
3	475111	1	Busching	
4	475110	1	Handle roller	
5	937420	1	Tubular pin RF	
12	941108	2	Ball RF	
13	958123	1	Pressure spring RF	
14	435057	1	Release lever RF	
15	435036	1	Pin	
16	927060	1	Lock nut	
17	435037	1	Bushing for release handle RF	
18	917641	1	Screw RF	
19	435035	1	Top for handle RF	
21	435065-1K	1	Release rod cpl.	
42	475100K	1	Handle cpl.	