



SELF 1003 / SELFS 1003
SELF 1203 / SELFS 1203

EU DECLARATION CONFORMANCE

Manufacturer: **Logitrans A/S**
Address: **Hillerupvej 35**
6760 Ribe
Danmark

hereby declares that:

machine: Product group: **Fully powered Logiflex**

Type: SELF1003 / SELFS1003
SELF1203 / SELFS1203

Production year/
Serial no:

a) has been manufactured in conformance with the stipulations of the:

- **Directive no. 2006/42/EC**
- **Directive no. 2014/30/EC**
- **Directive no. 2014/35/EC**

b) has been manufactured in conformance with the stipulations of the standard:

- **EN ISO 3691-1**

Responsible for the technical dossier:

Name: **Gitte Kirkegaard**
Address: **Hillerupvej 35, DK-6760 Ribe**

Signature:



Gitte Kirkegaard, CEO, Logitrans A/S

Ribe, 26.10.2022.



Contents

1.0 Before the first lift...	4
2.0 Functions and identifications	5
3.0 How to operate the Logiflex	6
3.1 Handling of pallets	6
3.2 Use of Logiflex	8
3.3 Handle functions	8
3.3.1 Multiflex function	10
3.3.2 The safety switch	11
3.4 Battery Info display	12
3.4.1 BDI	12
3.4.2 Machine operating hours	12
3.4.3 Faults	13
3.4.4 State of operation LED's	13
4.0 Optimum safety	14
4.1 Safety regulations	14
4.2 Marking	15
4.3 Transport with load	16
4.4 Avoid overloads	16
4.5 Emergency stop	17
4.6 Personal safety	17
5.0 There must be a current supply...	18
5.1 Fuses - replacement	18
5.2 Wiring connections	18
6.0 Long live the Logiflex	19
6.1 Lubrication and hydraulic oil	19
6.2 Oil change	20
6.3 The hydraulic pump	21
6.4 Fork adjustment	21
6.5 Adjustment of lifting chain	22
6.6 Adjustment of side play	23
6.7 Cleaning	24
7.0 Fault codes/Fault location key	25
7.1 Fault codes - Battery info display	25
7.2 Fault location key	26
7.3 Remedy	28
8.0 Good service after purchase	30
8.1 Ordering spare parts	30
8.2 Warranty/Compensation	30
8.3 Service and repair	30
8.4 Warranty	30
8.5 Liability exemption	30



1.0 Before the first lift...

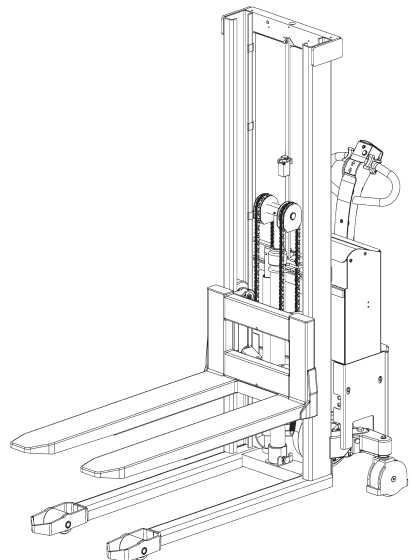
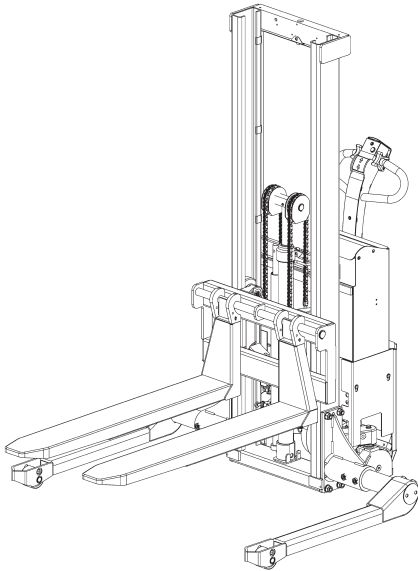
The fully powered Logiflex is manufactured in accordance with safety directives.

Among the subjects dealt with in this Instruction Manual are:



- Proper application
- Physical limitations of the product
- Risks with improper use

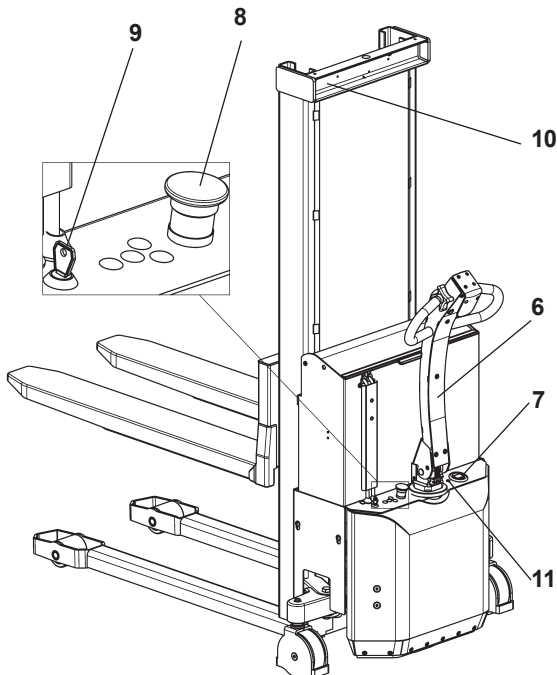
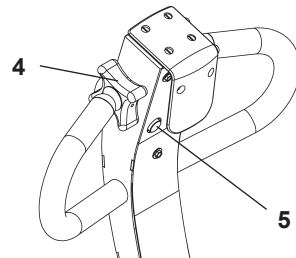
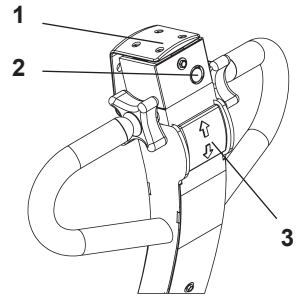
Therefore please read this Instruction Manual carefully!





2.0 Functions and identifications

1. Safety Switch
2. Horn
3. Lift/Lower
4. Forward/Reverse
5. Multiflex Function
6. Handle
7. Battery indicator/hour counter
8. Emergency Stop
9. Ignition Key
10. Name plate, serial number
11. Charging Lamp

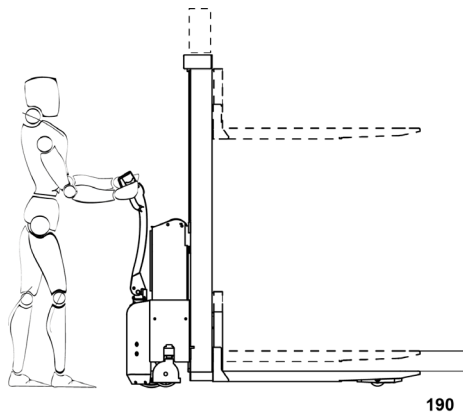
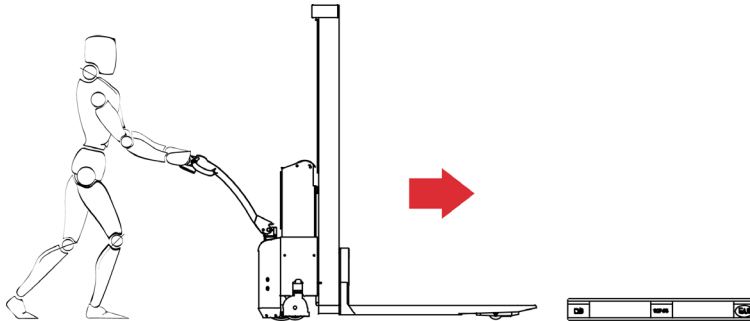




3.0 How to operate the Logiflex

3.1 Handling of pallets

For proper operation, stand behind the handle!



The forks will lift 190 mm before the telescopic mast begins to extend.

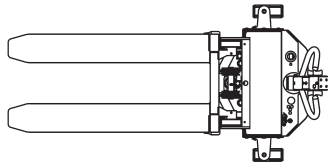
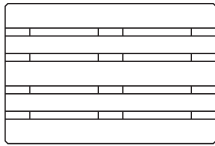
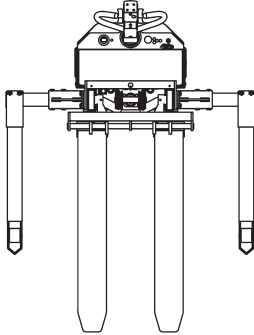
(SELF1003 2050 - 3300)

(SELFS1003 2020 - 3270)

3.0 How to operate the Logiflex

When handling closed pallets...
... use stacker with straddle legs.

**SELS1003 /
SELS1203**

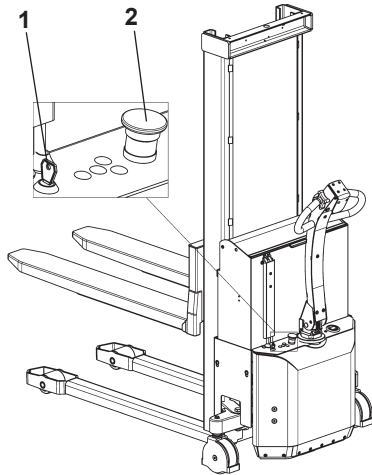


SELF1003 / SELF1203

3.0 How to operate the Logiflex

3.2 Use of Logiflex

Insert key (1) and turn clockwise to switch on control current ready for function activation.

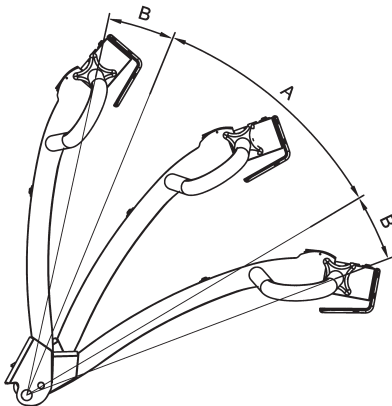


Note!!! Emergency stop (2) must not be activated.

3.3 Handle functions

The control functions of the stacker are located in the handle

- The functions are dependent on the positions of the handle!



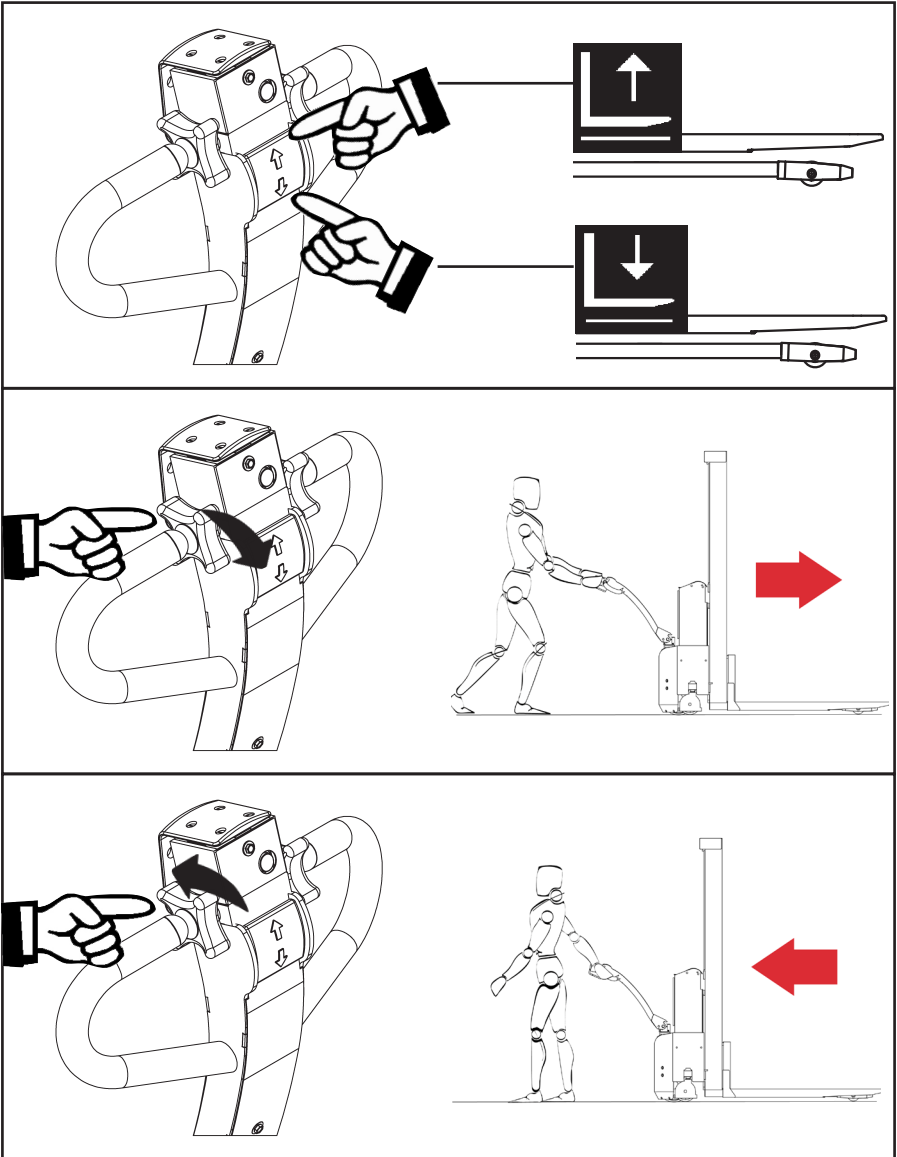
Position A: Drive position

- Drive current on
- Brake deactivated

Position B: Stop-Brake- Emergency Stop

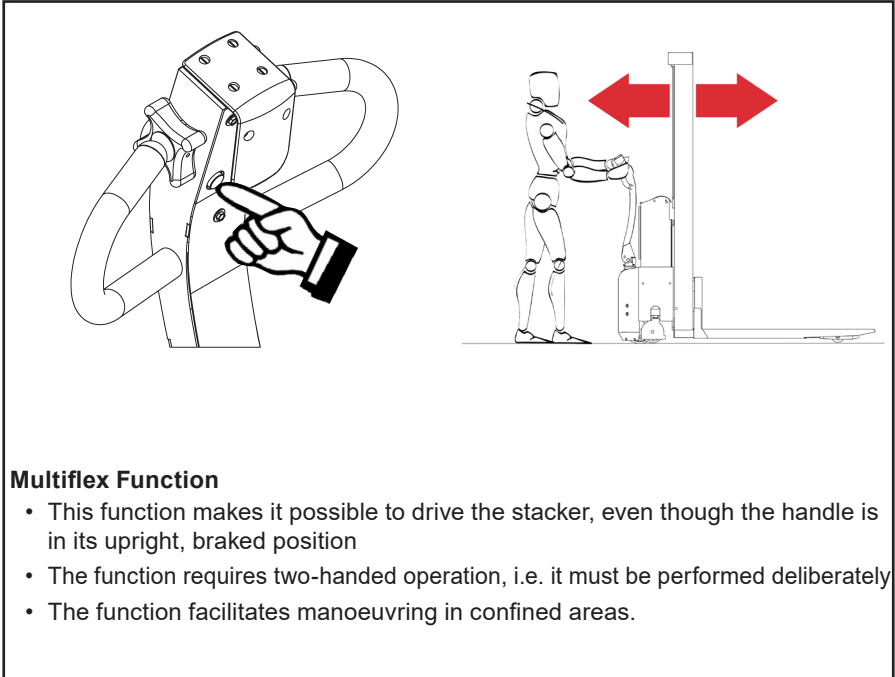
- Drive current off
- Brake activated

3.0 How to operate the Logiflex



3.0 How to operate the Logiflex

3.3.1 Multiflex function



Multiflex Function

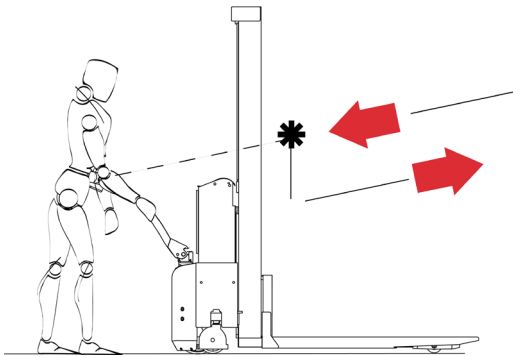
- This function makes it possible to drive the stacker, even though the handle is in its upright, braked position
- The function requires two-handed operation, i.e. it must be performed deliberately
- The function facilitates manoeuvring in confined areas.

3.0 How to operate the Logiflex

3.3.2 The safety switch

The safety switch on the end of the handle ensures that the operator cannot be trapped when the stacker is reversed.

When the safety switch is activated, the stacker will change direction and move forwards.

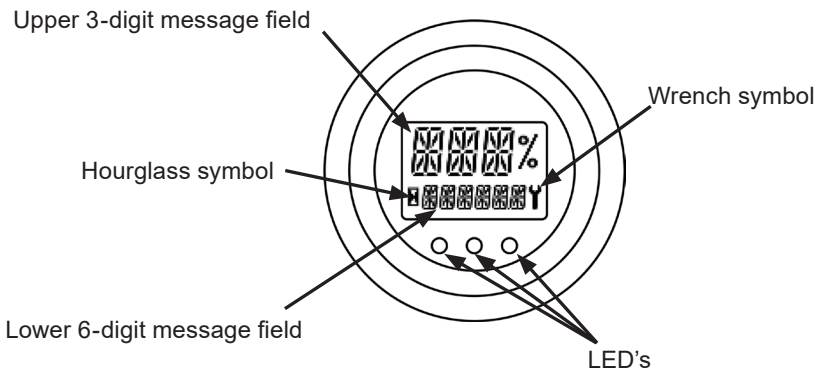


3.0 How to operate Logiflex

3.4 Battery Info display

The display can show the following information:

- The BDI or BOC – Battery state of charge
- Machine operating hours
- Fault codes/warnings
- State of operation LED's



3.4.1 BDI

The remaining capacity of the battery or BDI is showed in the upper 3-digit field in percentage.

If the BDI is lower than 30% - a "LOBATT" warning will be showed in the lower 6-digit field.

3.4.2 Machine operating hours

3 different operating hours are being logged:

- "TOTAL/KEY ON" hours - the total hours with power on the truck.
- "TRACTION" hours - the hours the traction motor has been in operation.
- "PUMP" hours - the hours the hydraulic pump has been in operation.

Under normal operation the "TOTAL" hours are displayed in the lower 6-digit field.

If the Forward/Reverse switch is activated shortly - the "TRAC" hours will be displayed.

If the Lift/Lower switch is activated shortly - the "PUMP" hours will be displayed.

3.0 How to operate Logiflex

3.4.3 Faults

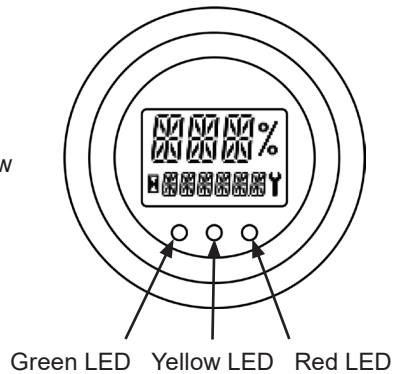
If a fault is present, the red LED, the message "FAULT" and the Wrench symbol will be flashing and the fault number is showed in the upper 3-digit field.

(See point 7.1 for Fault code description)

3.4.4 State of operation LED's

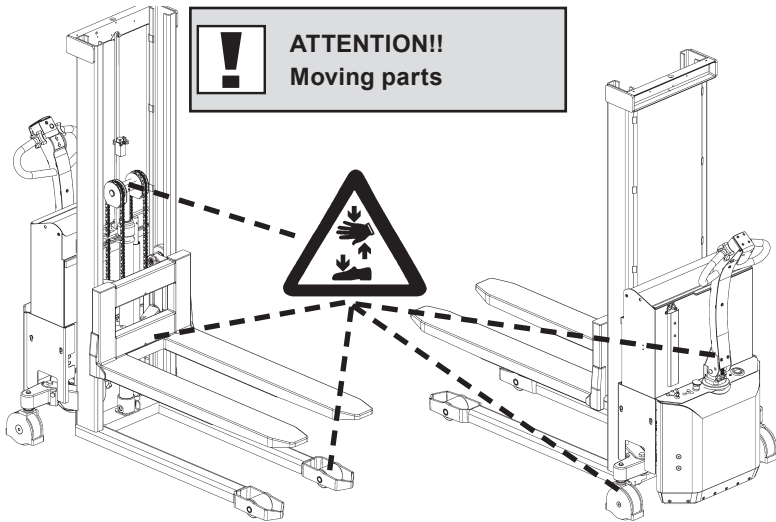
The LED's indicate the state of operation:

- Green - Normal operation
- Yellow - Warning state, low battery
- less than 30%
- Red - Warning state, low battery
- less than 15%
- Flashing Red - Fault/error state/battery too low





4.0 Optimum safety



4.1 Safety regulations

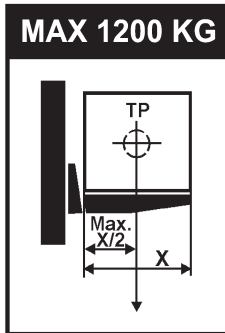
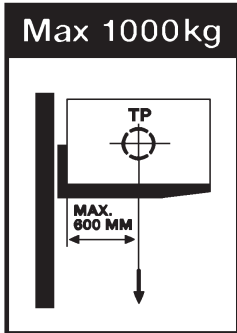
- Never walk under a raised load/forks!
- Before lowering the forks, make certain that no foreign elements can hinder the free lowering of the forks.
- Logiflex is designed for use on an even and level floor.
- During transport the forks shall be raised as little as possible.
- Transport with raised forks should be made over the shortest possible distances and at low speed.
- Do not exceed the permitted capacity of the product.
- Check that the chains lift equally. They shall be equally tight when the forks are loaded.
- Chains and chain bolts must not be damaged. Chains that have become permanently stretched (max. 2% of original length) must be scrapped.



4.0 Optimum safety

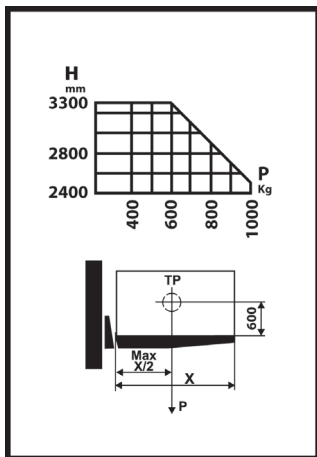
4.2 Marking

The mast lifting capacity and the corresponding centre of gravity distance are given by the pictogram on the side of the mast.



The lifting capacity of the mast is the same as the max. lifting capacity of the product.

Max. lifting capacity is set on the safety valve of the product.



Specific to Logiflex - with load limitation at significant lifting heights:

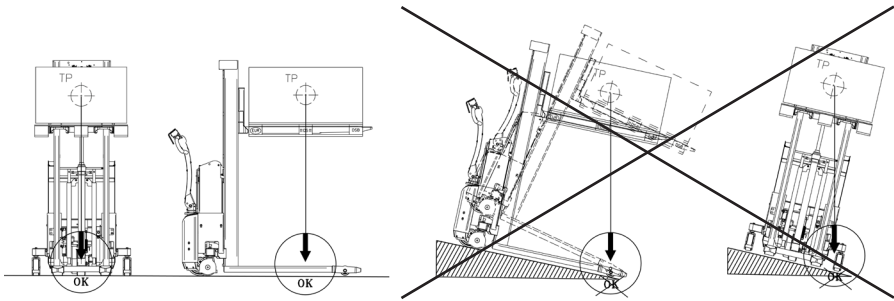
-The fork bracket loading is dependent on the lifting height and can be read on the load diagram.

-Load limitation at significant heights is incorporated to give greater stacker stability and operator safety.

NOTE! If the Logiflex is equipped with optional extras, the load limitation of the optional extras will be valid.

4.0 Optimum safety

4.3 Transport with load



The load centre is never allowed to exceed the center line of the wheels.

The driving speed is reduced when lifting the forks above 400 mm.

The Logiflex is designed for use on even and level floor. During transport the forks shall be raised as little as possible. Transport with raised forks should be made over the shortest possible distances and at low speed.

4.4 Avoid overloads

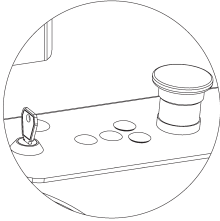
The maximum load must not be exceeded.

- **Remember**, the stacker is designed for evenly distributed load;
 - goods on pallets etc.
- If the forks are point-loaded on one side, there is a risk of bending.

4.0 Optimum safety

4.5 Emergency stop

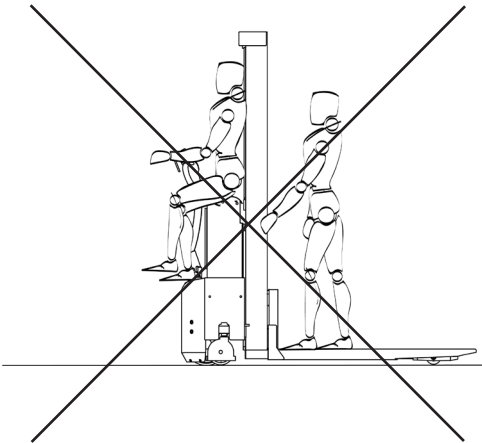
The product has an emergency stop. When activating the emergency stop, the main current supply is switched off.

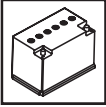


- The movement of the forks stops immediately
- Driving with the truck stops immediately
- The emergency stop is deactivated by turning the switch to the right

4.6 Personal safety

Transporting or lifting persons by means of the stacker **is not allowed**.





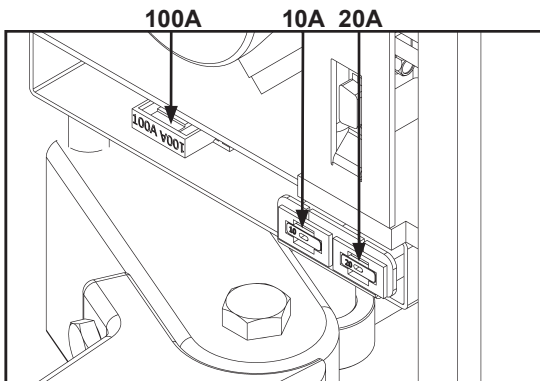
5.0 There must be a current supply...

5.1 Fuses - replacement

There are 3 fuses in the electrical circuit, located behind the plate with this pictogram.



- 10 Amp fuse in the control current circuit
- 20 Amp fuse for built-in charger
- 100 Amp fuse in the main supply from battery



Replacement:

The old fuse is to be removed and replaced by a new one of the same size.

Find out why the fuses blow!

5.2 Wiring connections

Many operational disturbances are caused by bad connections in the electrical circuit. Make sure that the connections are in order.

Check connections regularly for damage at insulating caps or bad connections at plugs etc. Verdigris must be removed from cable plugs. Keep all screw/nut connections tight.



6.0 Long live the Logiflex

Regular inspection and the replacement of worn or defective parts in good time will prolong the life of the stacker. "Prevention is better than repair", therefore ensure:

- That the battery is fully charged every time
- Correct usage
- Regular cleaning
- Periodic safety and service inspection

For safety reasons please check the below every 3 month:

- Tighten loose screw and nuts
- Check that there are no cracks, fractures and deformations in the bearing construction
- Wearing parts, such as brakes, wheels and bearings, are adjusted and exchanged continuously

6.1 Lubrication and hydraulic oil



Under normal operation conditions the stacker requires no lubrication. All ball bearings are sealed and lubricated for life, and moving parts have self-lubricating bearings or are treated with grease. The hydraulic system is filled with hydraulic oil of viscosity class ISO VG 15.

An additive is added to the oil. The concentrate reduces friction and wear and protects against corrosion.

Pre-mixed hydraulic oil with additive is available from the dealer. The oil is suitable for use in the temperature range -10 to +50° C. A thinner oil is recommended for temperatures lower than -10° C (if necessary, contact your dealer).

6.0 Long live the Logiflex

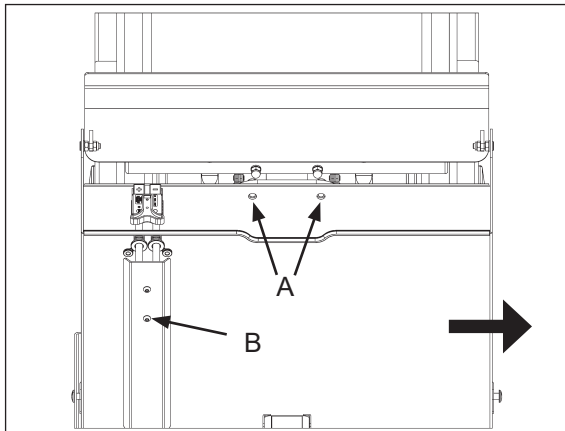
6.2 Oil change

Draining the oil:

1. Bring the unloaded forks down to the lowest position.
2. Most of the oil can be drained by loosening the hydraulic hose union in the bottom of the cylinder. Activate the hydraulic pump by pressure on the switch. The oil will run out.
3. Take off the side plates.
4. Take off the cables of the battery. Remove from the battery box: cables, two mounting bolts (A) and cable holder (B) and push the battery box to the right.
5. The remaining oil is emptied from the oil tank by sucking up the oil.
6. Place the hydraulic hose again.
7. Oil is filled in by removing the oil filler cap from the tank.
8. Oil quantity:

SELF1003/1203 - 920-1600 & SELFS1003/1203 - 890-1570	approx. 3 liters
SELF1003/1910-2450 & SELFS1003/1880-2420	approx. 3,5 liters
SELF1003/2850 & SELFS1003/2830	approx. 4 liters
SELF1003/3300 & SELFS1003/3270	approx. 4 liters

9. Place the oil filler cap again and bleed the system (see 6.3)



6.0 Long live the Logiflex

6.3 The hydraulic pump

The hydraulic pump has a S3 “periodic intermittent duty” of 10%. This means that the pump in total is allowed to operate 1 minute for a period of 10 minutes.

Note! If the pump operates more than 10%, the motor will be damaged due to superheating.

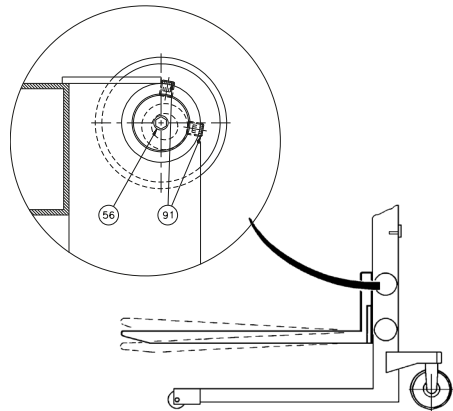
Bleeding the hydraulic system

With a load of 50-100 kg, the forks must be raised and lowered to top and bottom position 2-3 times.

6.4 Fork adjustment

Two of the rollers on the fork bracket are mounted on eccentric pins, so that they can be adjusted. The adjustable rollers are at the top.

1. Loosen screw (pos. 91)
(key width 5 mm).
2. Eccentric pins (pos. 56) (key width 8 mm) can now be turned to give the necessary fork adjustment.
3. Adjustment must be made on both sides to ensure uniform loading of the rollers.



6.0 Long live the Logiflex

6.5 Adjustment of lifting chain

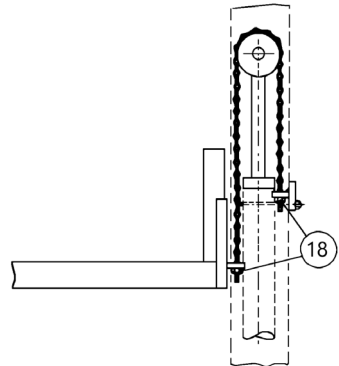
The chains shall be adjusted so that:

- They lift equally.
- They are equally tight.
- The lifting movement has to stop in the cylinder, before the mast rolls touch the top stop.

After adjusting, please check:

- a. Fork bracket: the forks have to be placed above the wheels
- b. Adjustable carriage: the forks are to be kept clear of the floor.

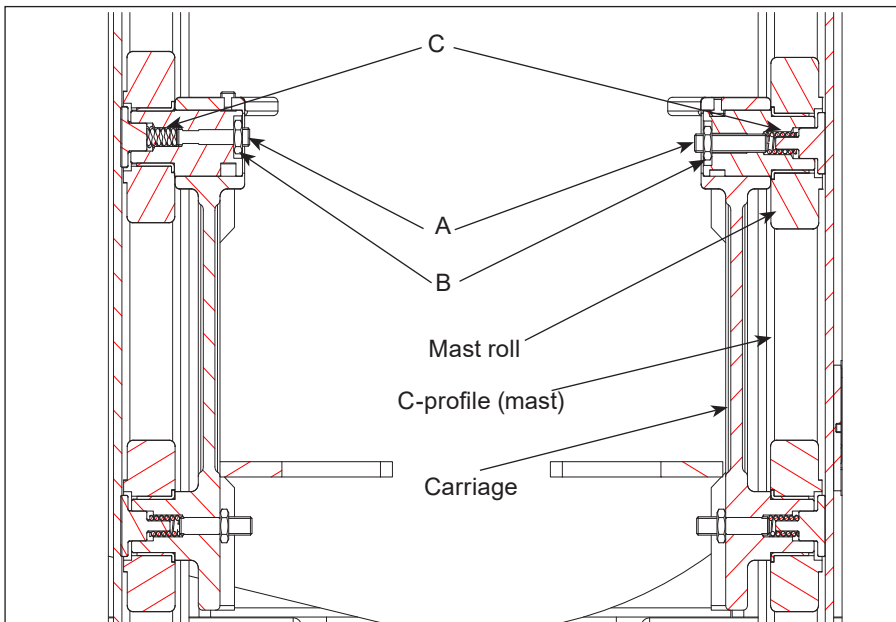
The nuts (pos. 18) are to be adjusted (nut M12, key width 19 mm).



6.0 Long live the Logiflex

6.6 Adjustment of side play

1. Screw (A) is loosened counter-clockwise, until resistance disappears.
2. Turn the screw clockwise, until resistance appears. The following 1.5 to 2.5 turns of the screw will be a tightening of the spring (C).
3. When a larger resistance appears, make 0.25 turn counterclockwise, and the counter nut (B) will be tightened.
4. Lift the carriage to the top position, and when lowering it has to slide to the bottom. If this is not the case, loosen screw A, make c. 0.5 turn counter-clockwise and repeat point 4.



6.0 Long live the Logiflex

6.7 Cleaning



When cleaning the stacker, do not direct the jet onto bearings and seals. Otherwise the grease will be washed out and the life of the equipment shortened.

Avoid spraying directly with liquids on the handle and other electrical components.

Cleaning of the plastic screen (polycarbonate)

The screen is to be washed with slightly warm water added a neutral cleaning material, and afterwards washed with clean water.

Use a soft sponge, a woollen cloth or a wash leather.



Never use sharp objects or solvent cleaners when cleaning.



7.0 Fault codes/Fault location key

7.1 Fault codes - Battery info display

Code	Description	Solution
17 23	Battery voltage too low Power supply is missing	Charge battery Check fuses
16 22	Controller overheated	Contact the dealer
39	Error main relais	Contact the dealer

For other error codes, contact your dealer.

7.0 Fault codes/Fault location key

7.2 Fault location key

When the stacker is used every day, adjustments and the replacement of worn parts might be necessary.

Adjustments and minor repairs can easily be made on the spot. Major repairs should, however, be carried through by the dealer who has a well-trained staff and the necessary special tools.



**Before asking the dealer for assistance...
... try the fault locations key!**

Symptoms and observations

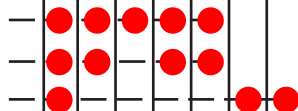
- A** Stacker does not drive when the handle is tilted and drive grip turned!
• No click can be heard from relays when the handle is tilted _____
• No click can be heard when the multiflex button is activated _____
• The motor makes a humming noise _____
- B** Stacker drives slowly _____
- C** Stacker brakes when drive grip is released (handle tilted) _____
- D** Stacker does not brake when handle is tilted to upper or lower position _____
- E** Stacker brakes too little/too much _____
- F** Forks do not lift when "UP" is pressed _____
- G** No click can be heard when "UP" is pressed _____
- H** Forks lift only a little/not to max. height when "UP" is pressed _____
- I** Forks do not sink when "DOWN" is pressed _____
- J** Forks sink slowly _____
- K** The battery is not charged (no light in charging lamp) _____

Cause

Remedy

	Inadequate power supply	1)
	Battery discharged	2)
	Fault in on/off switch	3)
	Fault in control current circuit	4)
	Fault in main/power current circuit	5)
	Too little current on battery	6)
	No current on brake	7)
	Brake needs adjusting	8)
	Insufficient oil in tank. Load too heavy, safety valve is set wrongly	9)
	No current on solenoid valve	10)
	Oil circuit leakage	11)
	Fault in charging circuit	12)

A



B

C

D

E

F

G

H

I

J

K

If the problem cannot be solved by using the fault location key...

...read the error code, see paragraph 7.3 and contact the dealer!

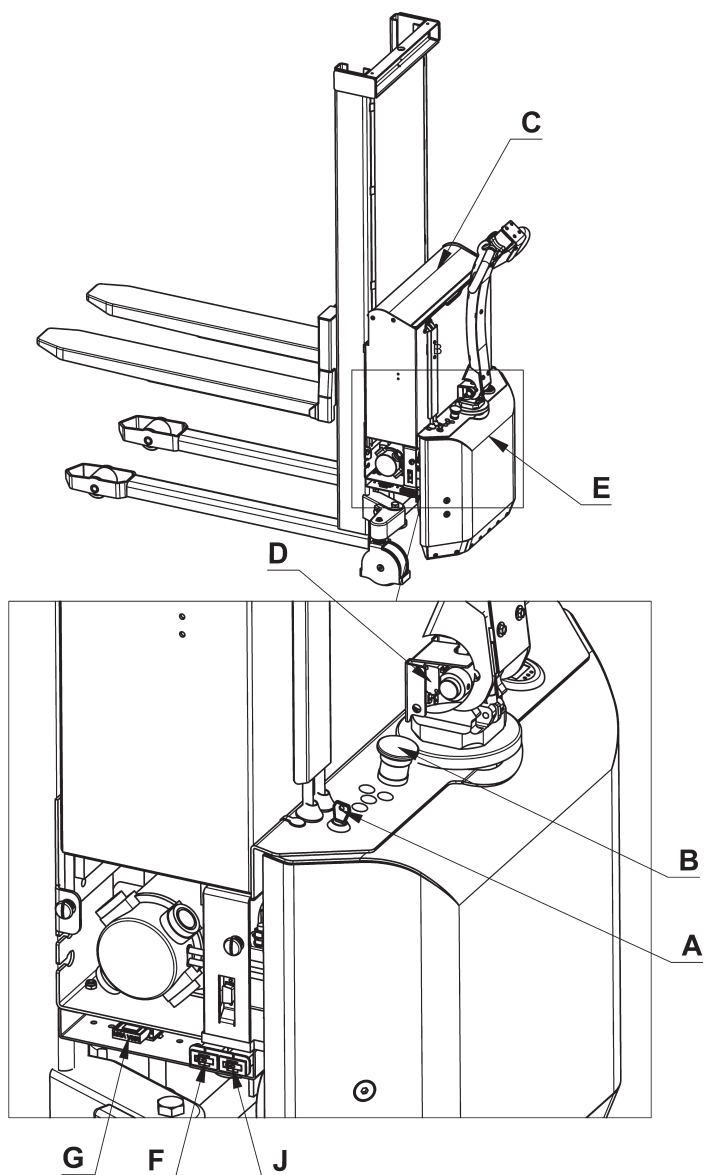


7.0 Fault codes/Fault location key

7.3 Remedy

1. Check to ensure that the key (A) is turned clockwise and that emergency stop (B) is not activated.
2. Charge battery - (see separate instruction manual for battery and charger)
Access to the battery is achieved by tipping the cover (C).
 - If necessary, check the liquid level in battery cells.
 - The remaining capacity of the battery can be checked with an acidometer
3. Check switch (D). Check cable connections on switch.
4. Check control current fuse (F).
 - If the fuse is intact and the stacker does not drive, contact the dealer.
5. Check main fuse (G)
Check cable connections on drive motor and pump motor. If no fault can be found and the stacker does not drive, contact the dealer.
6. Check battery, (see point 2 above).
7. Check the wheel motor. The wire connection for the brake is checked.
These must be connected. If no fault can be found and the stacker still brakes, contact the dealer.
8. Brake needs adjustment. The brake force is adjusted by turning the adjusting screw on the outside of the brake. The brake force is increased by tightening clockwise.
9. Remove battery and replenish oil (see point 6.2).
If the stacker cannot lift max load contact the dealer.
10. Contact the dealer.
11. Locate the oil leak and contact the dealer.
To localise the leak it is necessary to remove the rear cover (E).
12. Check the fuse for the charger (J)
If the fuse is intact and the stacker does not charge, contact the dealer.

7.0 Fault codes/Fault location key





8.0 Good service after purchase

8.1 Ordering spare parts

The correct spare parts are obtainable from your dealer.

When ordering, please state:

- Serial number of the product
- Type and width/length of the product
- Spare part no. Please find spare part no. on www.logitrans.com

8.2 Warranty/Compensation

Spare parts delivered during the warranty period will be invoiced. A credit note will be sent immediately after we have received and tested the defective parts and found that the warranty conditions have been met.

8.3 Service and repair

You should be able to make adjustments and perform minor repairs on the spot.

However, major repairs should be left to the dealer who has well-trained personnel and the necessary special tools.

8.4 Warranty

The warranty covers material and assembly defects which, subject to inspection by us or our representative, are deemed to be faults or deficiencies that prevent normal use of the parts concerned. Such affected parts shall be sent to your Logitrans dealer carriage paid within the warranty period in force at the time in question, together with a copy of the documentation for the service performed (B0284 - see the back page). The warranty does not cover normal wear and adjustments. The warranty period is based on singleshift working.

The warranty shall no longer apply if

- the product has been used incorrectly,
- the product is used in environments for which it was not designed,
- the product has been overloaded,
- replacements of parts have been made incorrectly or original parts have not been used and consequential damages have arisen,
- the product is changed or accessories, not being approved by Logitrans, are used,
- it can not be proved that a qualified technician has performed the service check according to the requirements stated in the instruction manual (see the back page).

8.5 Liability exemption

The manufacturer accepts no responsibility for personal injury or material damage arising from deficiencies, defects or improper usage. The manufacturer accepts no responsibility for lost earnings, operating losses, lost time, lost profits or similar indirect losses incurred by the purchaser or a third party.

Periodic service and safety inspection

Service inspection is required once each year, or at least for every 500 hours of operation.

Safety inspection should be performed by the dealer or other qualified persons at least once each year, unless local regulations state otherwise.

The inspections are to be performed on the basis of form no. B0287, and proved on form no. B0284. Forms and instructions for the inspection are available at your dealer.

S 901

SELF-EN

01122020/3