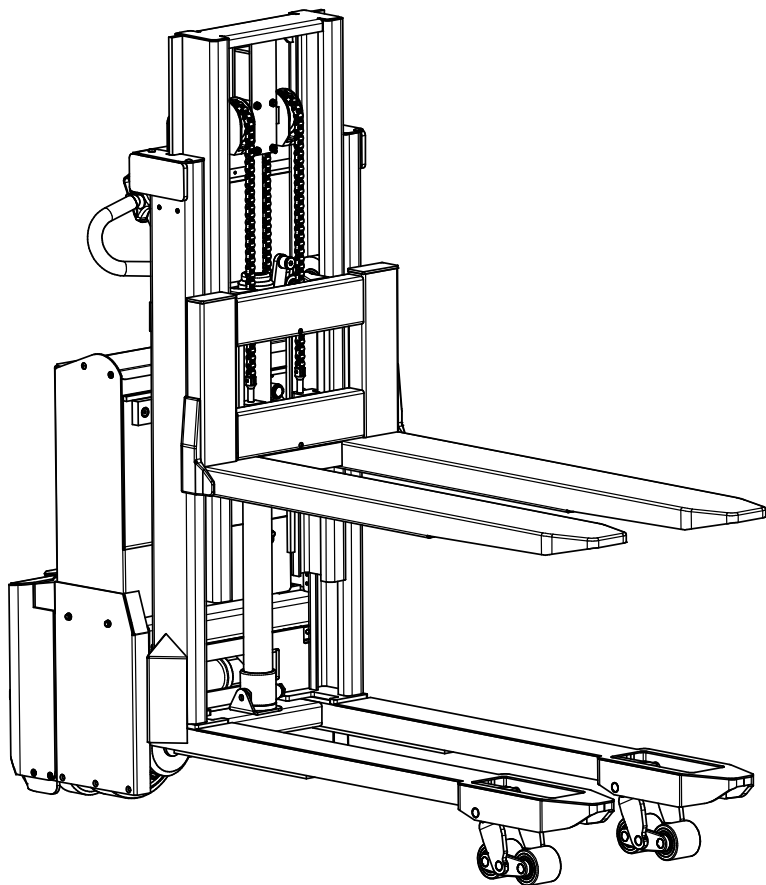


# TWIN STACKER



## EU DECLARATION CONFORMANCE

Manufacturer: **Logitrans A/S**  
**Hillerupvej 35**  
**DK-6760 Ribe**  
**Denmark**

It is hereby declared that:

Machine:           Productgroup:                    Stacker with electric propulsion

                          Type:                                    Twin Stacker


                          Year of manufacture/  
                          Serial No:                                

- a) Has been manufactured in conformance with the stipulations of the:
- **Directive no. 2006/42/EC**
  - **Directive no. 2004/108/EC**
  - **Directive no. 2006/95/EC**
- b) Has been manufactured in conformance with the stipulations of the standard:
- **EN ISO 3691-1**

Name:                **Gitte K. Berg**

Position:            **CEO**

Company:            **Logitrans A/S**

Signature:            

Product type declaration of:  
15.09.2016



# Contents

<b>1.0 Before the first lift...</b>	4
<b>2.0 Functions and identifications</b>	5
<b>3.0 How to operate the Twin Stacker</b>	6
3.1 Handling of pallets	7
3.2 Handle functions	8
3.3 Emergency stop	10
3.4 Brake function	11
3.5 Personal safety	11
<b>4.0 Optimum safety</b>	12
4.1 Avoid overloads	13
<b>5.0 There must be a current supply...</b>	14
5.1 Fuse - replacement	14
5.2 Wiring connections	14
<b>6.0 Long live Twin Stacker</b>	14
6.1 Lubrication and hydraulic oil	15
6.2 Adjustment of side play	16
6.3 Fork adjustment	17
6.4 Adjustment of lifting chain	17
<b>7.0 Fault location key</b>	18
7.1 Remedy	20
<b>8.0 Good service after purchase</b>	22
8.1 Ordering spare parts	22
8.2 Warranty/Compensation	22
8.3 Service and repair	22
8.4 Warranty	22
8.5 Liability exemption	22



## 1.0 Before the first lift...

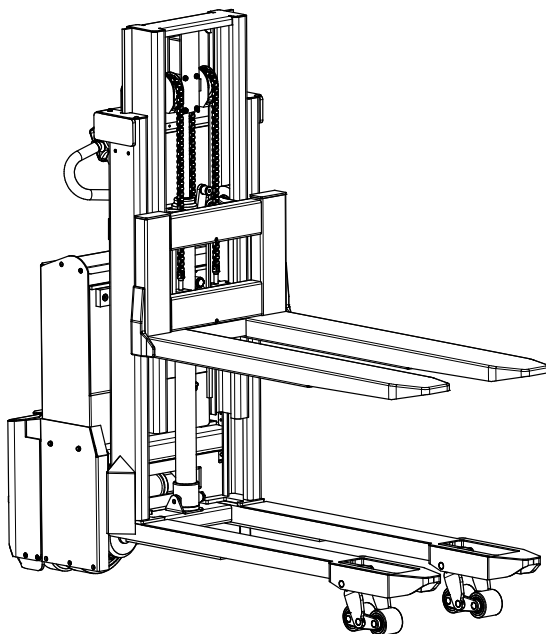
The **Twin Stacker** is manufactured in accordance with safety directives.

Among the subjects dealt with in this **Instruction Manual** are:



- Proper application
- Physical limitations of the product
- Risks with improper use

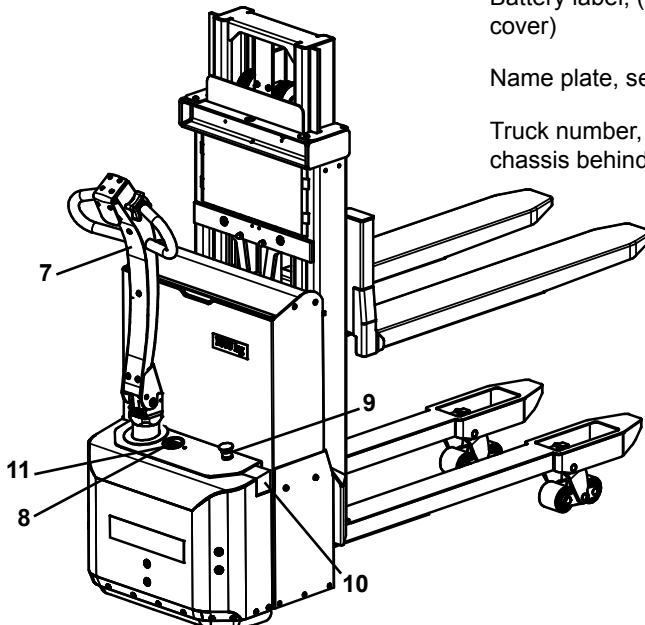
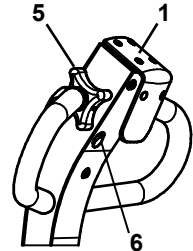
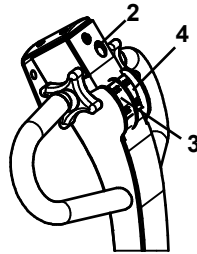
Therefore please read this **Instruction Manual** carefully!





## 2.0 Functions and identifications

1. Safety Switch
2. Horn
3. Lift/Lower upper forks
4. Lift/Lower lowest forks
5. Forward/Reverse
6. Multiflex Function
7. Handle
8. Battery indicator / hours counter
9. Emergency Stop
10. Ignition Key
11. Charging Lamp (built-in charger)



### Identification

Battery label, (below the battery cover)

Name plate, serial number

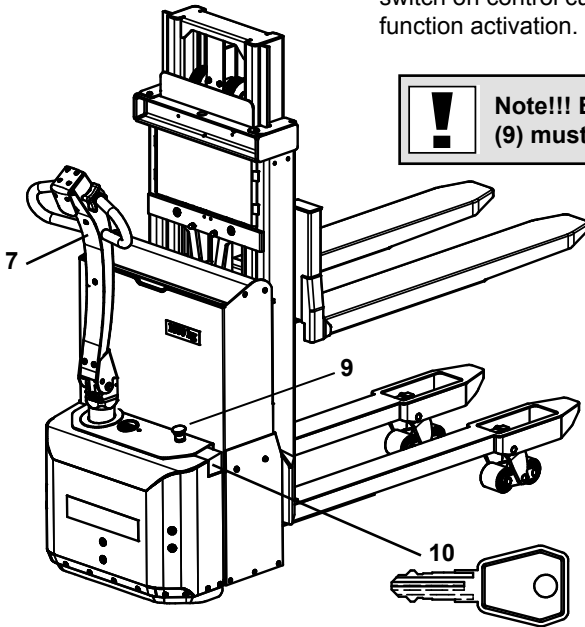
Truck number, stamped in chassis behind the rear cover.



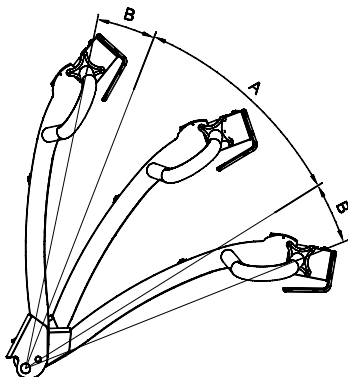
## 3.0 How to operate the Twin Stacker

Insert key (10) and turn clockwise to switch on control current ready for function activation.

**!** Note!!! Emergency stop (9) must not be activated.



The control functions of the Twin Stacker are located in the handle (7).  
- **The functions are dependent on the position of the handle!**



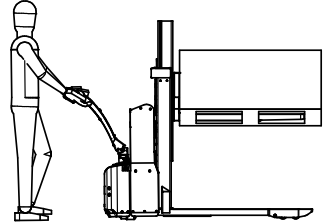
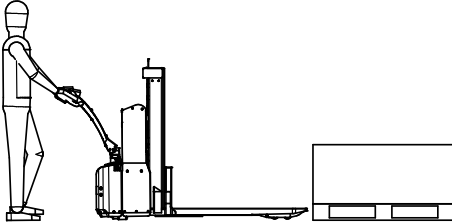
**Position A: Drive position**  
Drive current on  
Brake deactivated

**Position B: Stop/Brake/  
Emergency Stop**  
Drive current off  
Brake activated

## 3.0 How to operate the Twin Stacker

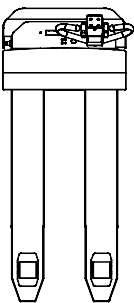
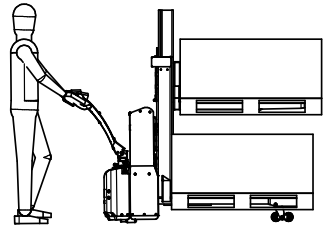
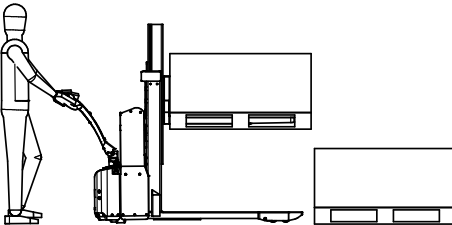
---

### 3.1 Handling of pallets

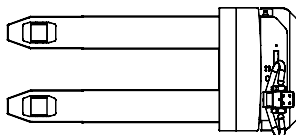
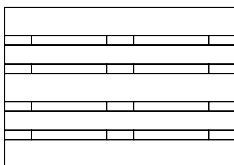


For proper operation,  
stand behind the handle.

Raise/lower - forward/reverse



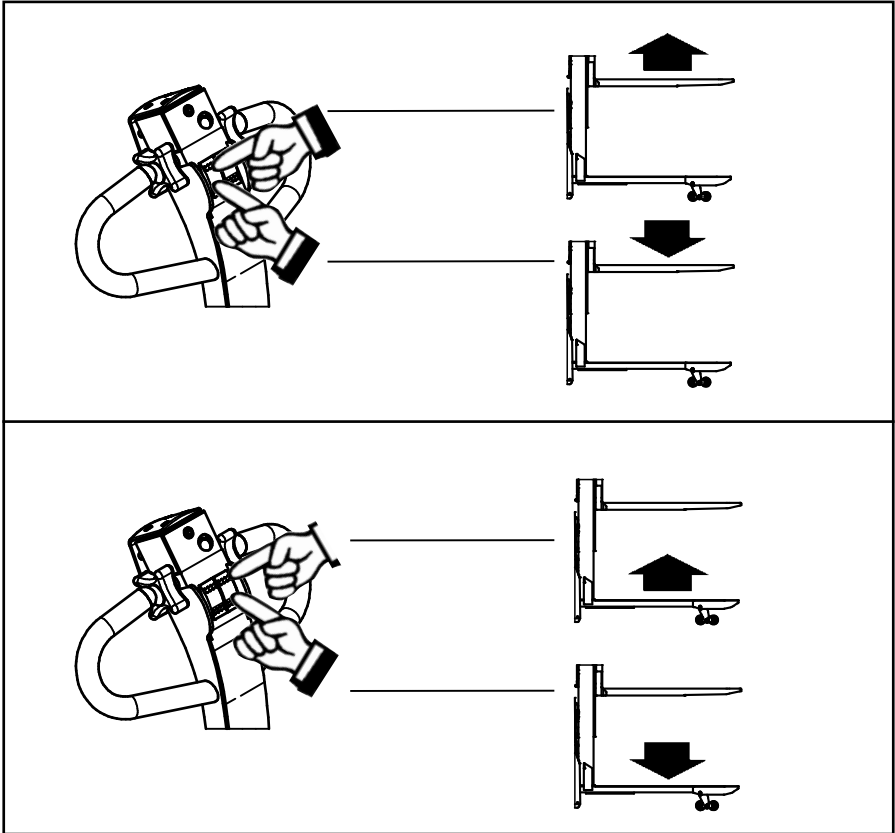
The pallet can be lifted and transported  
- either lengthwise  
- or crosswise



### 3.0 How to operate the Twin Stacker

---

#### 3.2 Handle functions

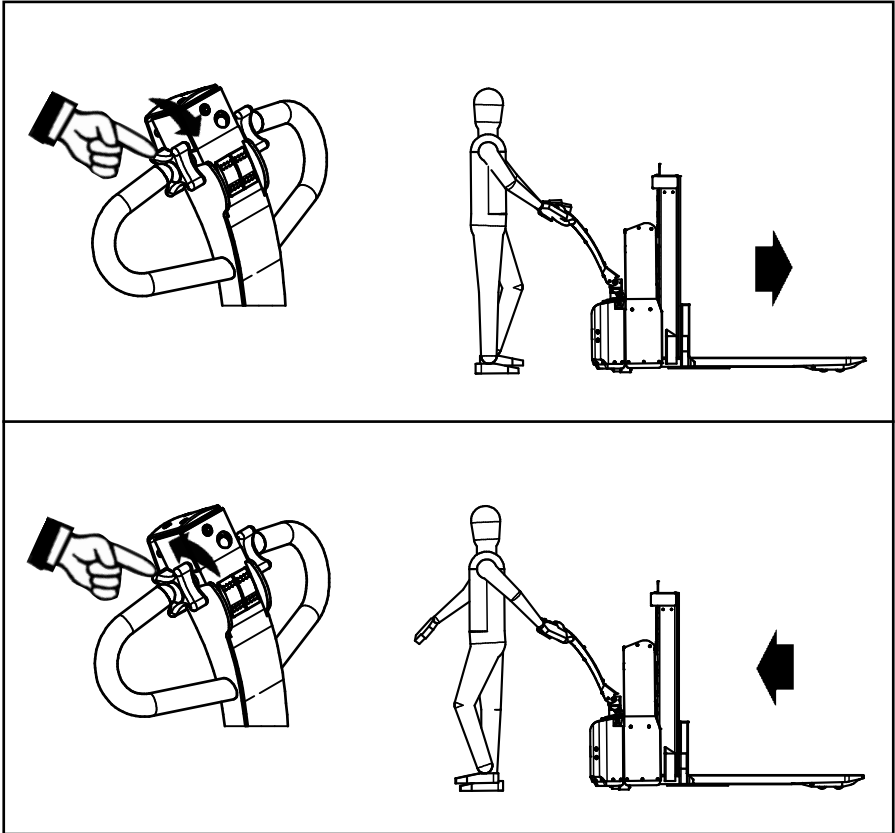




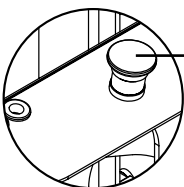
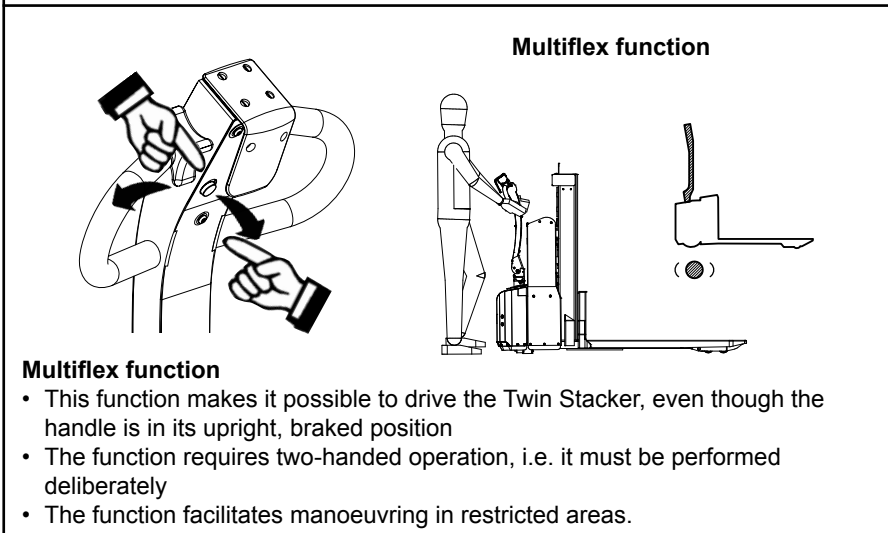
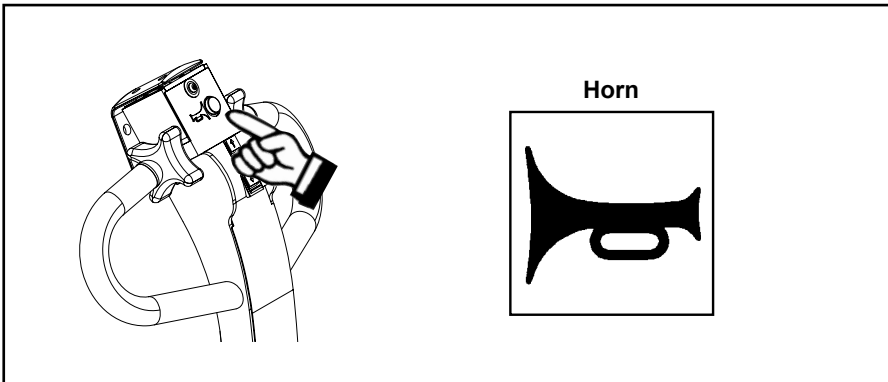
### 3.0 How to operate the Twin Stacker

---

#### 3.2 Handle functions



### 3.0 How to operate the Twin Stacker



### 3.3 Emergency stop

The product has an emergency stop. When activating the emergency stop, the main current supply is switched off.

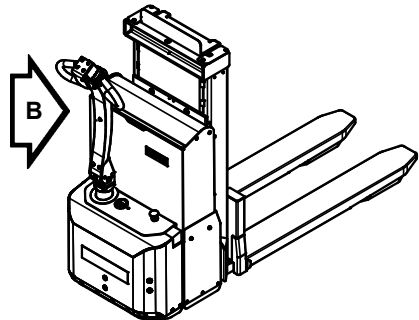
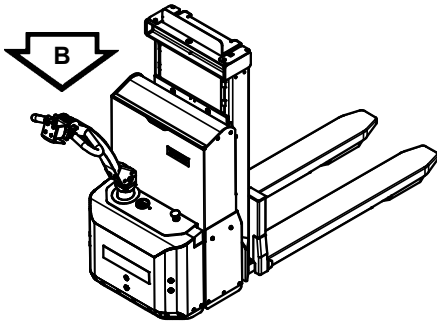
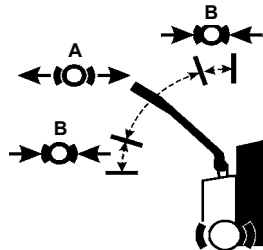
- The movement of the forks stops immediately
- Driving with the truck stops immediately.

## 3.0 How to operate the Twin Stacker

### 3.4 Brake function

**A: Position for driving**

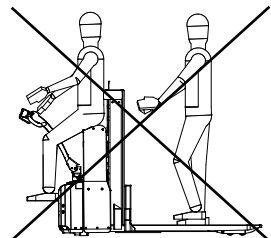
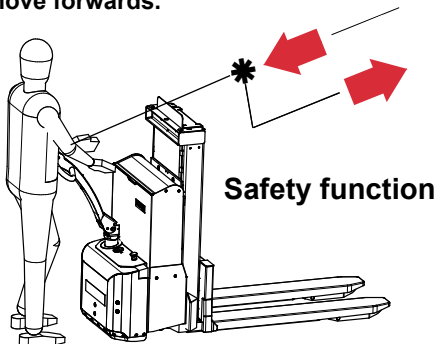
**B: Position for braking**  
See multiflex function  
for driving in B-position  
(see paragraph 3.2)



### 3.5 Personal safety

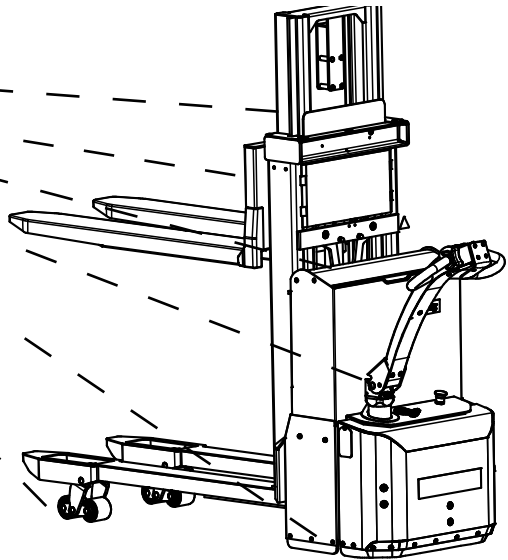
The safety switch on the end of the handle ensures that the operator cannot be trapped when the Twin Stacker is reversed.

**When the safety switch is activated, the Twin Stacker will change direction and move forwards.**





## 4.0 Optimum safety



### Safety regulations

- Never walk under a raised load!
- Before lowering the forks, make certain that no foreign elements can hinder the free lowering of the forks.
- The Twin Stacker is designed for use on an even and level floor
- During transport the forks shall be raised as little as possible
- Transport with raised forks should be made over the shortest possible distances and at low speed
- Check that the chains lift equally. They shall be equally tight when the forks are loaded
- Chains and chain bolts must not be damaged.  
Chains that have become permanently stretched (max. 2% of original length) must be scrapped.

## 4.0 Optimum safety

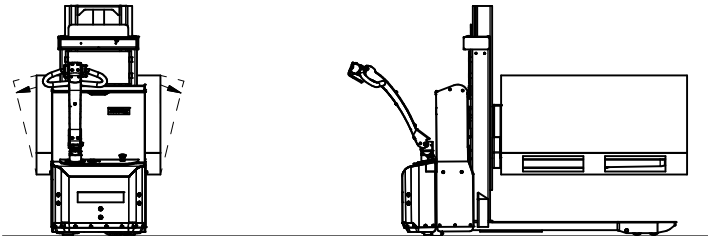
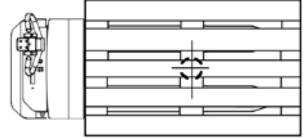
### 4.1 Avoid overloads

Maximum capacity in total 1800 kg  
Capacity lowest forks: Up to 1800 kg  
Capacity upper forks: Up to 800 kg

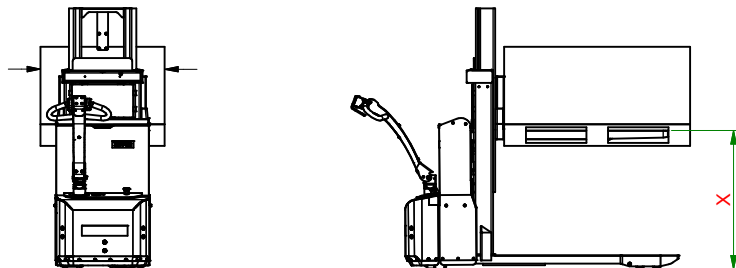
The maximum load must not be exceeded.

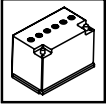
**Remember**, the pallet truck is designed for evenly distributed load; - goods on pallets etc.

If the forks are point-loaded on one side, there is a risk of bending.



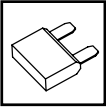
**!** CAUTION! Stability is achieved when  $X = 900-1020$  mm





## 5.0 There must be a current supply...

### 5.1 Fuses - replacement



There are 5 fuses in the electrical circuit, located behind the plate with this pictogram.

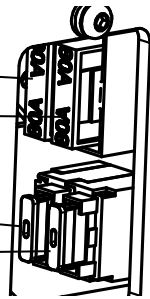


80 Amp fuse for driving motor

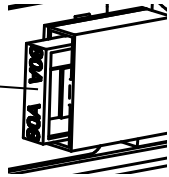
80 Amp fuse for lifting motor lowest forks

5 Amp fuse in the control current circuit

20 Amp fuse (built-in charger)



80 Amp fuse for lifting motor upper forks



#### Replacement:

The old fuse is to be removed and replaced by a new one of the same size. Do not insert a larger fuse; the fuse acts as a protector for the pump motor.

**Find out why fuses blow!**

### 5.2 Wiring connections

**Many operational disturbances are caused by bad connections in the electrical circuit. Make sure that the connections are in order.**

Check connections regularly for damage at insulating caps or bad connections at plugs etc.

Verdigris must be removed from cable plugs. Keep all screw/nut connections tight.



## 6.0 Long live Twin Stacker

Regular inspection and the replacement of worn or defective parts in good time will prolong the life of the Twin Stacker. "Prevention is better than repair", therefore ensure:

- Correct usage
- Regular cleaning
- Periodic safety and service inspection (see the back page)
- Due to safety reasons, the below points have to be checked every 3 months:
  - Loose screws and nuts have to be tightened up.
  - Breaches, cracks or deformations are not allowed on the load-bearing parts.
  - Wearing parts, such as brakes, wheels and bearings, are to be adjusted or changed continuously
  - The lifting chains are to be checked



### 6.1 Lubrication and hydraulic oil

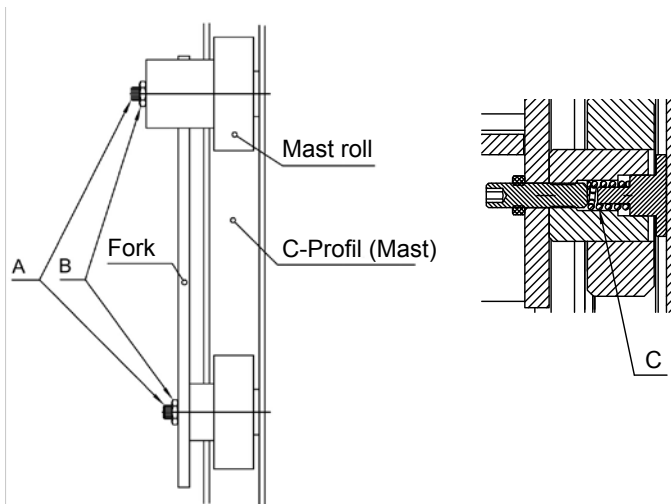
Under normal operation conditions the Twin Stacker requires no lubrication.

All ball bearings are sealed and lubricated for life, and moving parts have self-lubricating bearings or are treated with grease. The hydraulic system is filled with hydraulic oil of viscosity class ISO VG 15. An additive is added to the oil. The concentrate reduces friction and wear and protects against corrosion. Pre-mixed hydraulic oil with additive is available from the dealer. To ensure that the cylinder pipe is lubricated and thereby protected against corrosion, it is important to lift the forks to top position frequently. The oil is suitable for use in the temperature range  $-10^{\circ}$  to  $+50^{\circ}$  C. A thinner oil is recommended for temperatures lower than  $-10^{\circ}$  C (if necessary, contact your dealer).

## 6.0 Long live Twin Stacker

### 6.2 Adjustment of side play (In the mast rolls of the fork bracket)

- 1: Loosen nut (B) Screw. (A) is loosened counter-clockwise, until resistance disappears.
- 2: Turn the screw clockwise, until resistance appears. The following 1.5 to 2.5 turns of the screw will be a tightening of the spring (C).
- 3: When a larger resistance appears, make 0.25 turn counter-clockwise, and the counter nut (B) will be tightened.
- 4: Pump the forks to its top position, and when lowering it has to slide to the bottom. If this is not the case, loosen screw A, make c. 0.5 turn counter-clockwise and repeat point 4.





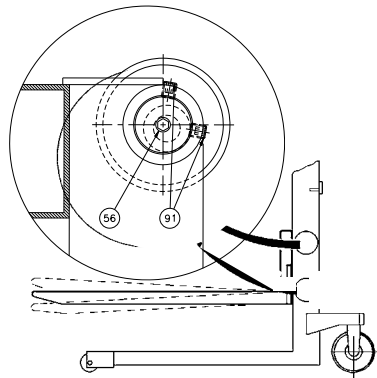
## 6.0 Long live Twin Stacker

---

### 6.3 Fork adjustment

Two of the rollers on the fork bracket are mounted on eccentric pins, so that they can be adjusted. The adjustable rollers are at the top.

1. Loosen screw (pos. 91)  
(key width 5 mm).
2. Eccentric pins (pos. 56)  
(key width 8 mm) can now be turned to give the necessary fork adjustment.
3. Adjustment must be made on both sides to ensure uniform loading of the rollers.



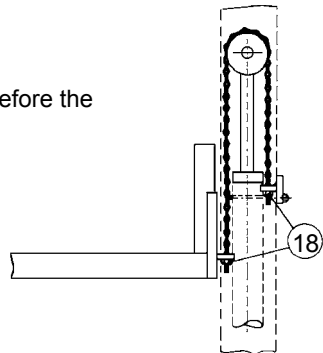
### 6.4 Adjustment of lifting chain

The chains shall be adjusted so that:

- they lift equally
- they are equally tight
- The lifting movement has to stop in the cylinder, before the mast rolls touch the top stop.

After adjusting, please check:

The nuts (pos. 18) are to be adjusted  
(nut M12, key width 19 mm).





## 7.0 Fault location key

When the Twin Stacker is used every day, adjustments and the replacement of worn parts might be necessary.

Adjustments and minor repair can easily be made on the spot. Major repairs should, however, be carried through by the dealer who has a well-trained staff and the necessary special tools.



**Before asking the dealer for assistance...  
...try the fault location key!**

### Symptoms and observations

- A** The Twin Stacker does not drive when the handle is tilted and drive grip turned!  
- - no click can be heard from relays when the handle is tilted \_ \_ \_ \_ \_  
- - no click can be heard when the multiflex button is activated \_ \_ \_ \_ \_  
- - the motor makes a humming noise \_ \_ \_ \_ \_
- B** The Twin Stacker drives slowly \_ \_ \_ \_ \_
- C** The Twin Stacker brakes when drive grip is released (handle tilted) \_ \_ \_ \_ \_
- D** The Twin Stacker does not brake when handle is tilted to upper or lower position
- E** The Twin Stacker brakes too little/too much \_ \_ \_ \_ \_
- F** Forks do not lift when "UP" is pressed \_ \_ \_ \_ \_
- G** No click can be heard when "UP" is pressed \_ \_ \_ \_ \_
- H** Forks lift only a little/not to max. height when "UP" is pressed \_ \_ \_ \_ \_
- I** Forks do not sink when "DOWN" is pressed \_ \_ \_ \_ \_
- J** Forks sink slowly \_ \_ \_ \_ \_
- K** The battery is not charged (no light in charging lamp) \_ \_ \_ \_ \_
- L** Error 1.4 \_ \_ \_ \_ \_

**Cause**

**Mending**

	Cause	Mending
	Inadequate power supply	1)
	Battery discharged (error 4.2)	2)
	Fault in on/off switch	3)
	Fault in control current circuit	4)
	Fault in main/power current circuit	5)
	Too little current on battery (error 4.2)	6)
	No current on brake	7)
	The controller parameters are not set correctly	8)
	Insufficient oil in tank. Load too heavy, safety valve is set wrongly	9)
	No current on solenoid valve.	10)
	Oil circuit leakage	11)
	Fault in charging circuit	12)
	Forward/Reverse knob activated before handle is in pos. A	13)
	<p><b>If the problem cannot be solved by using the fault location key... ...contact the dealer!</b></p>	

**A**

- — ● — ● — ● — ● — ● —

- — ● — ● — ● — ● — ● —

- — ● — — — — — ● — ● —

**B** — ● — — — — — ● — ● —

**C** — — — — — — ● — ● —

**D** — — — — — ● — — — — ● —

**E** — — — — — — — — — — ● —

**F** — ● — — — — — ● — — — ● —

**G** — ● — ● — — — — — ● — —

**H** — ● — — — — — ● — — — ● —

**I** — — — — — ● — — — — — ● —

**J** — — — — — — — — — — — ● —

**K** — — — — — — — — — — — ● —

**L** — — — — — — — — — — — — ●



## 7.0 Fault location key

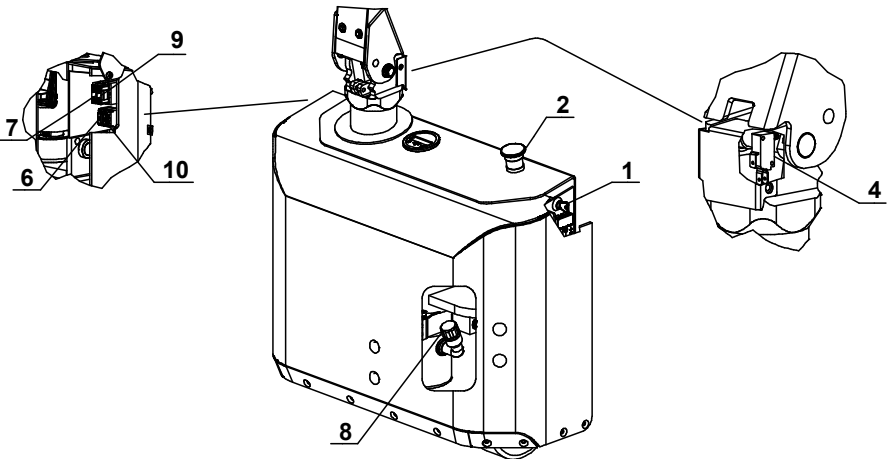
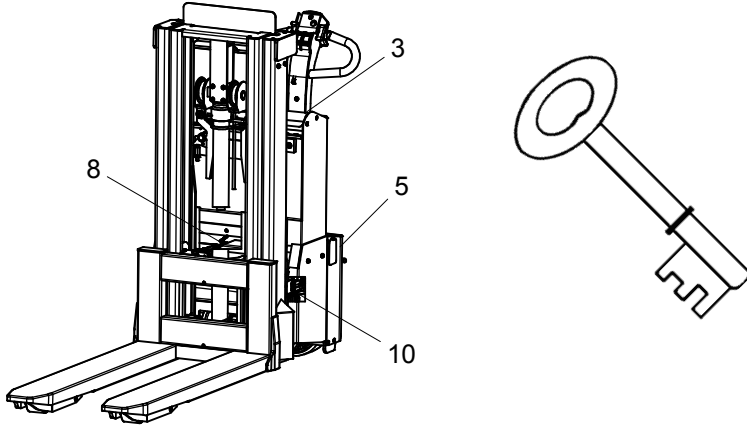
---

### 7.1 Remedy

- 1) Check that the key (1) is turned clockwise and that emergency stop (2) is not activated.
- 2) Charge battery - (see separate instruction manual for battery and charger).  
Access to the battery is achieved by removing the battery lid (3).
- 3) Check switch (4). Check cable connections on switch.
- 4) Check control current fuse (6).  
If the fuse is intact and the truck does not drive, contact the dealer.
- 5) Check main fuse for driving motor (7).  
Check cable connections on drive motor and pump motor.  
If no fault can be found and the truck does not drive, contact the dealer.
- 6) Check the wire connections between the battery cells, and to the battery. In case of verdigris on the connections, these are to be cleaned.  
Check that all cable connections are fixed.
- 7) Check the wiring loom on the side of the wheel motor. Check that the brake is activated when the handle is activated. Check that the brake is adjusted correctly.  
If no fault can be found and the truck still brakes, please contact the dealer.
- 8) Please contact the dealer for the adjustment of the controller parameters.
- 9) Fill in oil through filler (8). The oil level must reach the underside of the filling plug.  
Oil type:  
Hydraulic oil ISO VG 15 (factory-filled with Texaco Rando HD 15).  
Max. load given on name plate. If the truck can not lift the load, given on the name plate, contact the dealer.
- 10) Check the fuse for the pump motor (9).  
If the fuse is intact and the truck does not lift, contact the dealer.
- 11) Locate the oil leak and contact the dealer.  
To localise the leak it is necessary to remove the rear cover (5).
- 12) Check the fuse for the charger (10).
- 13) Place the handle in drive position before turning the forward/reverse knob.

## 7.0 Fault location key

---





## 8.0 Good service after purchase

### 8.1 Ordering spare parts

The correct spare parts are obtainable from your dealer.

When ordering, please state:

- Serial number of the product
- Type and width/length of the product
- Spare part no. Please find spare part no. on **www. logitrans.com**.

### 8.2 Warranty/Compensation

Spare parts delivered during the warranty period will be invoiced. A credit note will be sent immediately after we have received and tested the defective parts and found that the warranty conditions have been met.

### 8.3 Service and repair

You should be able to make adjustments and perform minor repairs on the spot. However, major repairs should be left to the dealer who has well-trained personnel and the necessary special tools.

### 8.4 Warranty

The warranty covers material and assembly defects which, subject to inspection by us or our representative, are deemed to be faults or deficiencies that prevent normal use of the parts concerned. Such affected parts shall be sent to your Logitrans dealer carriage paid within the warranty period in force at the time in question, together with a copy of the documentation for the service performed (B284 - see the back page). The warranty does not cover normal wear and adjustments. The warranty period is based on singleshift working.

#### **The warranty shall no longer apply if**

- the product has been used incorrectly,
- the product is used in environments for which it was not designed,
- the product has been overloaded,
- replacements of parts have been made incorrectly or original parts have not been used and consequential damages have arisen,
- if the product is changed or accessories, not being approved by Logitrans, are used.
- it can not be proved that a qualified technician has performed the service check according to the requirements stated in the instruction manual (see the back page).

### 8.5 Liability exemption

The manufacturer accepts no responsibility for personal injury or material damage arising from deficiencies, defects or improper usage. The manufacturer accepts no responsibility for lost earnings, operating losses, lost time, lost profits or similar indirect losses incurred by the purchaser or a third party.



### **Periodic service check**

Service check is required once each year, or at least for every 500 hours of operation

The service check is to be performed on the basis of form no. B280 and proved on form no. B284. Forms and instructions for the service check are available at your dealer.

### **Periodic safety inspection**

Safety inspection should be performed by the dealer or other qualified persons at least once each year, unless local regulations state otherwise.

The safety inspection to be performed on the basis of form no. B278 and proved on form no. B284. Forms and instructions for the safety inspection are available at your dealer.

S 954

Twin-Stacker-EN

150916