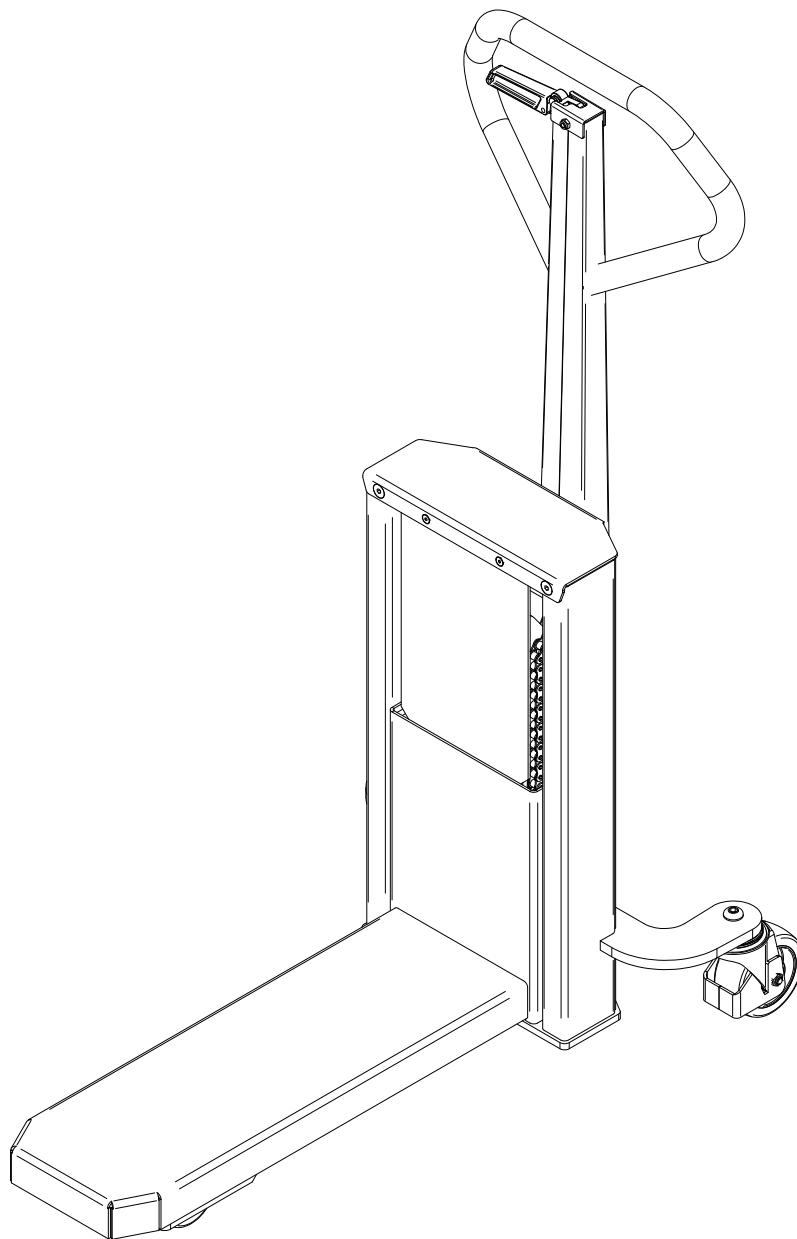
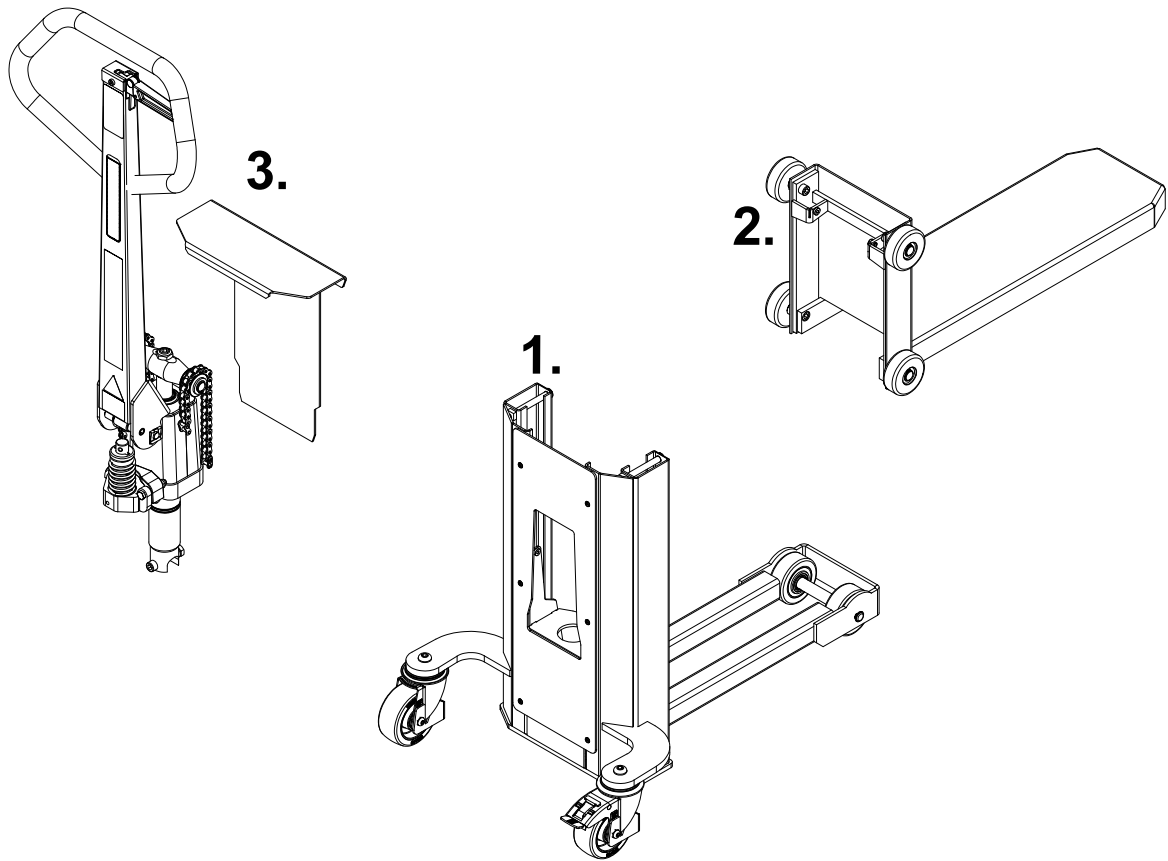


# LogiQ 300 SPARE PARTS





# Index

<b>1. Chassis.....</b>	<b>3</b>
<b>2. Fork console.....</b>	<b>4</b>
<b>3. Pump &amp; handle.....</b>	<b>5</b>
3.1 Pump parts.....	6
3.2 Handle parts.....	8

The correct spare parts are obtainable from your dealer.  
When ordering, please state:

- Serial number of the product
- Type definition
- Spare part no.

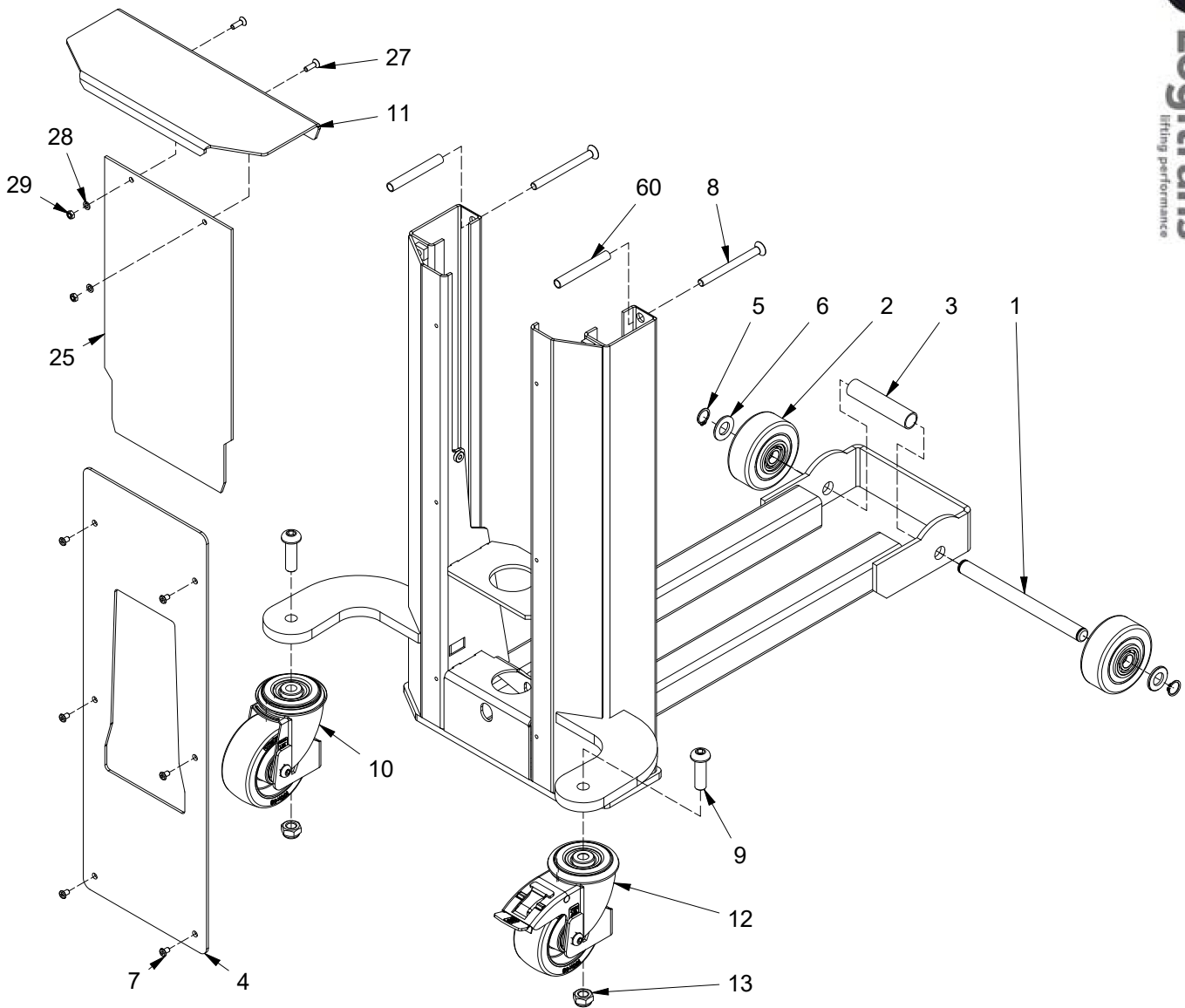
Pos numbers marked with \* ,and parts circleed together is part of complete kits and can not be ordered separately.

When ordering painted parts please state one of the following colour codes:

- 1: RAL 2002 (Logitrans red)
- 2: RAL 1028 (yellow)
- 3: An other RAL colour
- 6: black

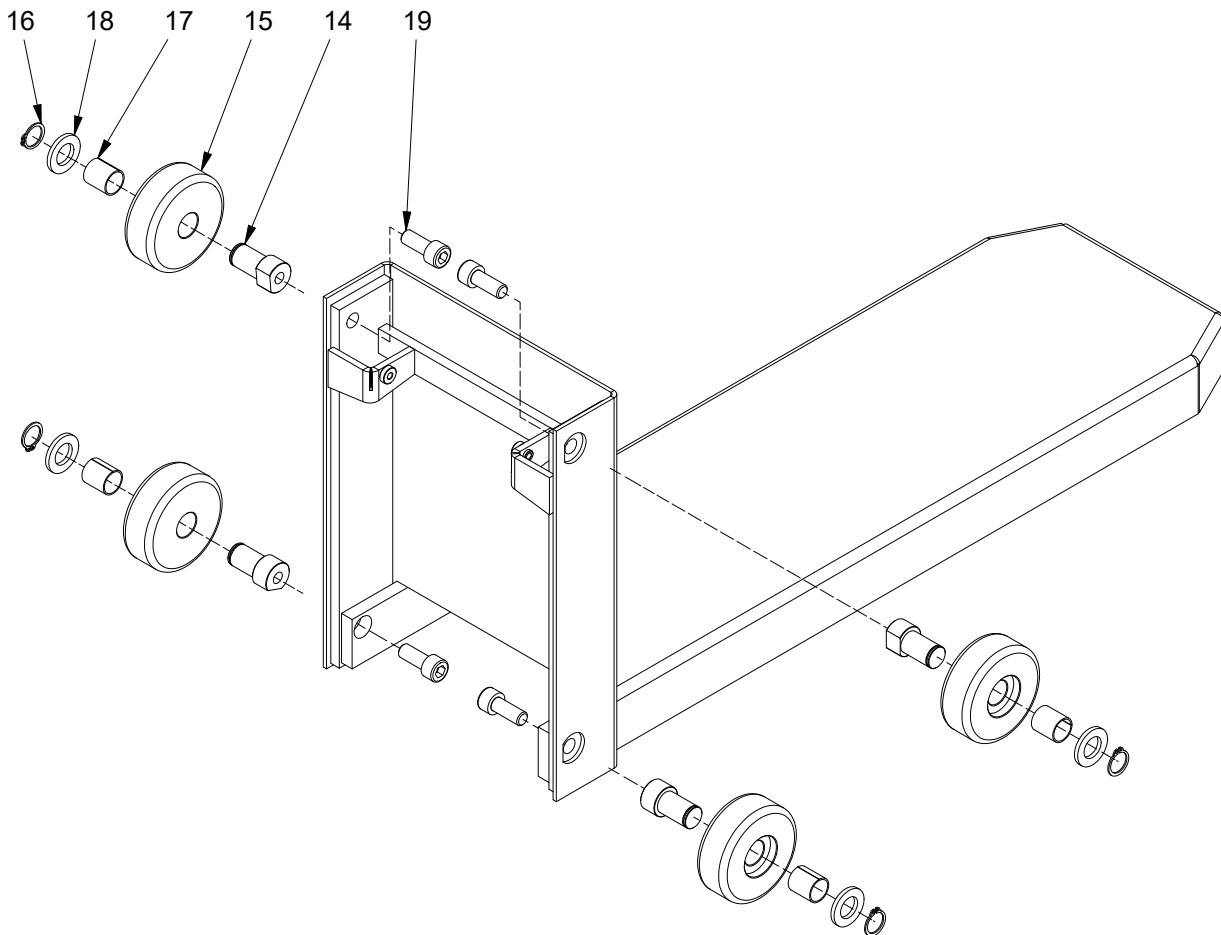
Ex. 425050-1 => 425050-1-1

# 1. Chassis



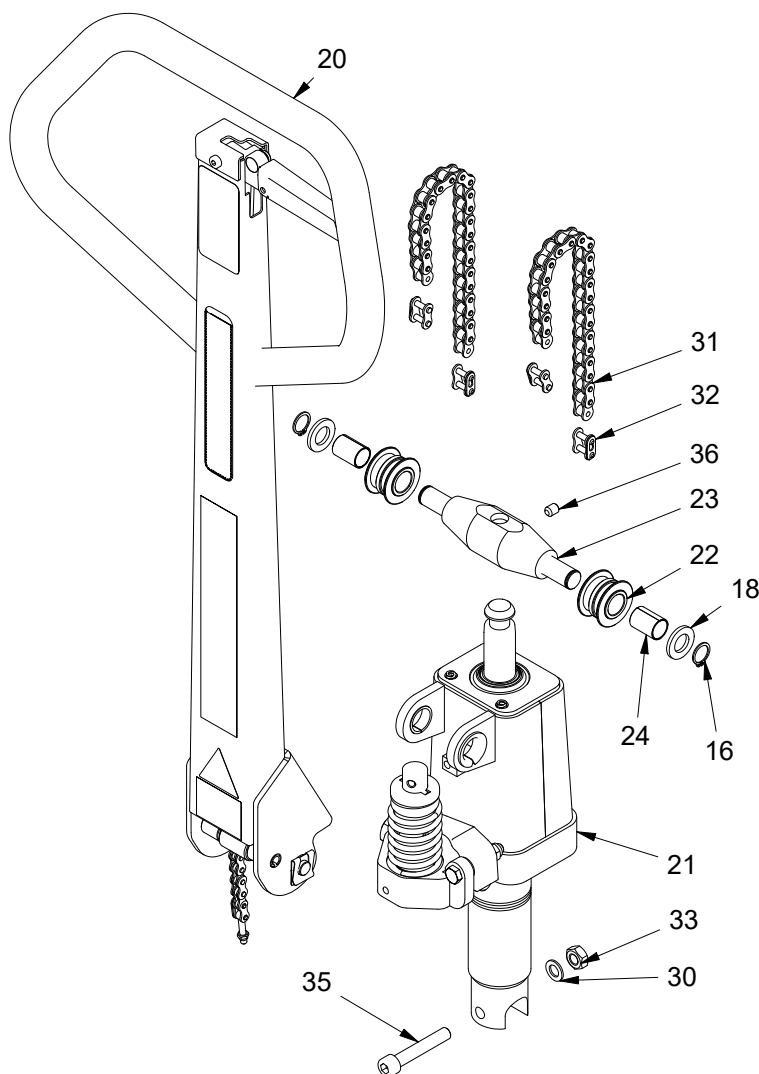
Item	Part no.	Qty total in product	Description	Beschreibung	Beskrivelse
1	440519	1	Wheel axle	Radachse	Hjulaksel
2	943803	2	Fork wheel	Rolle	Gaffelhjul
3	440520	1	Distance tube	Distanzrohr	Afstandsør
4	440510	1	Back cover	Hintere Abdeckung	Bag cover
5	933150	2	Circlip	Schliessring	Låsering
6	923150	2	Washer	Scheibe	Skive
7	919509	6	Screw M5	Schraube M5	Skruer M5
8	911890	2	Screw M8	Schraube M8	Skruer M8
9	919241	2	Screw	Schraube	Skruer
10	943100C	1	Wheel cpl.	Rolle kpl.	Hjul kpl.
11	440511	1	Top cover	Deckel	Top dæksel
12	943100BC	1	Wheel w. brake cpl.	Rolle m. bremse kpl.	Hjul m. bremse kpl.
13	921120	2	Lock nut	Gegenmutter	Sikringsmøtrik
25	440509	1	Front cover	Frontabdeckung	Front dæklade
27	911516	2	Screw	Schraube	Skruer
28	924050	2	Washer	Scheibe	Skive
29	922050	2	Nut	Mutter	Møtrik
60	440530	2	Distance tube	Distanzrohr	Afstandsør

## 2. Fork console



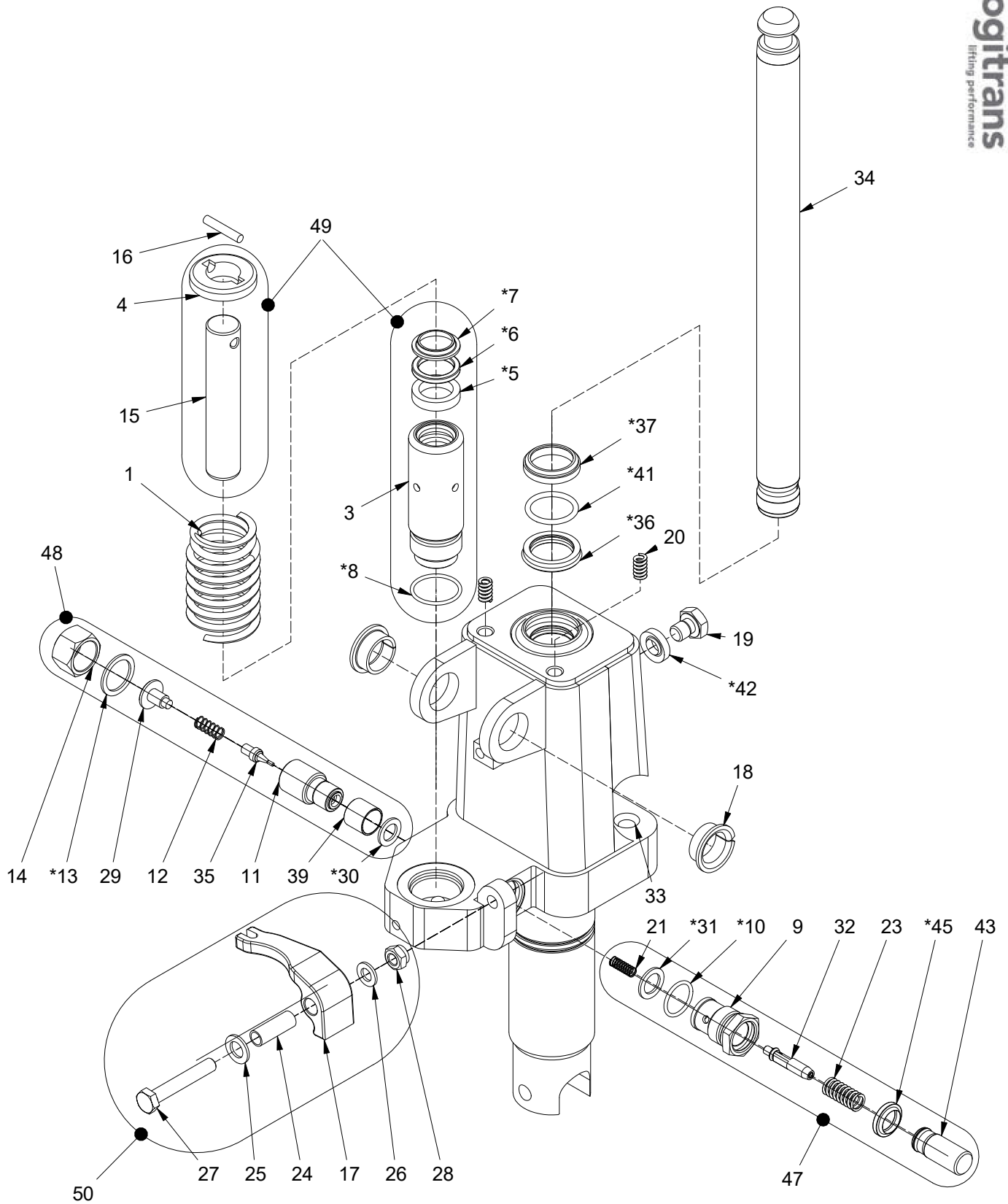
Item	Part no.	Qty total in product	Description	Beschreibung	Beskrivelse
14	440521	4	Guideroller axle	Führungsrolle Achse	Mastrulle aksel
15	440522	4	Guideroller	Führungsrolle	Mastrulle
16	933160	6	Locking ring	Schliessring	Låsering
17	948164	4	Bearing bush	Lagerbuchse	Lejebøsning
18	929160	6	Washer	Scheibe	Skive
19	912126	4	Bolt M10	Schraube M10	Bolt M10

# 3. Pump & handle



Item	Part no.	Qty total in product	Description	Beschreibung	Beskrivelse
16	933160	6	Locking ring	Schliessring	Låsering
18	929160	6	Washer	Scheibe	Skive
20	415391R	1	Handle cpl.	Deichsel, Kpl.	Håndtag kpl.
21	101055Q	1	Pump Quicklift cpl.	Pumpe schnellhebe kpl.	Pumpe kvikløft kpl.
22	440524	2	Chain roller	Kettenrolle	Kæderulle
23	440523	1	Chain roller axle	Kettenrolle Achse	Kæderulle aksel
24	948201	2	Bushing	Buchse	Bøsning
30	924101	1	Washer	Scheibe	Skive
31	951300	2	Lifting chain	Hubkette	Løftkæde
32	951021	4	Chain connector	Kettensammler	Kædesamler
33	922100	1	Nut	Mutter	Møtrik
35	912160	1	Ch screw	Ch Schraube	Ch skrue
36	910810	1	Pointed screw	Reitstockschaube	Pinolskrue

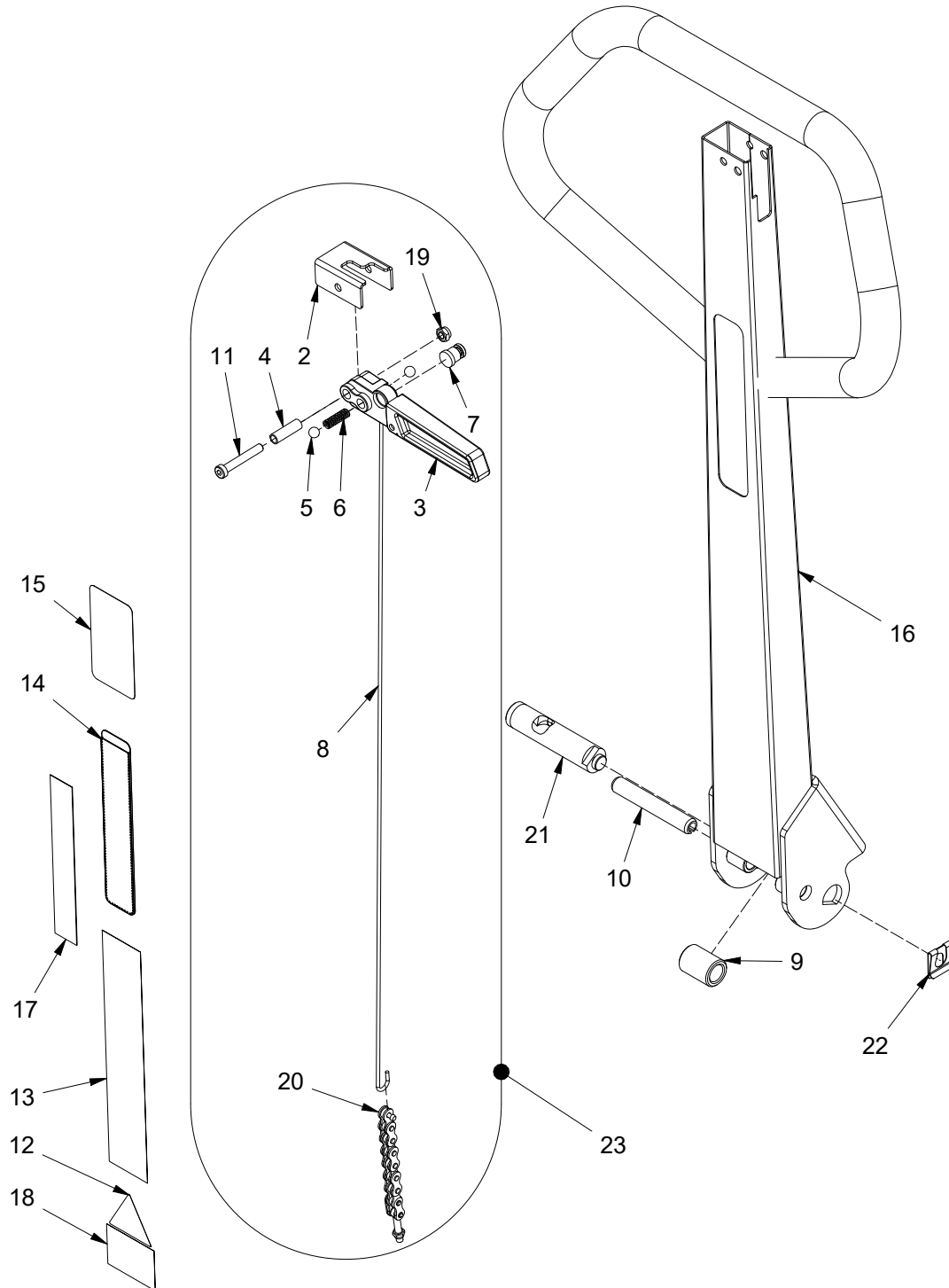
# 3.1 Pump parts



# 3.1 Pump parts

Parts List					
Item	Part no.	Qty	Description	Beschreibung	Beskrivelse
1	958430	1	Spring	Feder	Fjeder
3	-	1	Pump cylinder	Pumpenzylinder	Pumpecylinder
4	-	1	Spring washer	Federscheibe	Fjederskive
*5	-	1	U-sleeve	U-Manschette	U-manchet
*6	-	1	Quad ring	Quad Ring	Quad ring
*7	-	1	Scraper ring	Abstreifring	Skrabering
*8	-	1	O-ring	O-Ring	O-ring
9	-	1	Valve house	Ventilgehäu	Ventilhus
*10	-	1	O-ring	O-Ring	O-ring
11	-	1	Valve housing	Ventilgehäuse	Ventilhus
12	-	1	Spring	Druckfeder	Trykfjeder
*13	-	1	Copper washer	Kupferscheibe	Kobberskive
14	-	1	Valve cap nut	Ventilkappe	Ventil hætte
15	-	1	Pump piston	Pumpenkolben	Pumpestempel
16	400171	1	Steel pin	Stahlstift	Stålstift
17	-	1	Release arm	Auslöserarm	Udløserarm
18	404062	2	Bushing	Buchse	Bøsning
19	915113	1	Screw	Schraube	Sætskrue
20	958075	2	Compression spring	Druckfeder	Trykfjeder
21	-	1	Spring	Druckfeder	Trykfjeder
23	-	1	Spring	Druckfeder	Trykfjeder
24	-	1	Spacer	Abstandsrohr	Afstandsør
25	-	1	Washer	Scheibe	Skive
26	-	1	Washer	Scheibe	Skive
27	-	1	Steel bolt	Stahlbolzen	Stålbolt
28	-	1	Lock nut	Gegenmutter	Sikringsmøtrik
29	-	1	Guide for spring	Federführung	Fjeder guide
*30	-	1	Copper washer	Kupferscheibe	Kobberskive
*31	-	1	Copper washer	Kupferscheibe	Kobberskive
32	-	1	Safety valve	Sicherheitsventil	Sikkerhedsventil
33	990010	1	Magnet	Magnet Ø10X7	Magnet
34	415398	1	Piston rod	Kolbenstange	Stempelstang
35	-	1	Release cone	Auslösekegel	Udløserkegle
*36	-	1	U-sleeve	U-Manschette	U-manchet
*37	-	1	Sleeve	Manschette	Manchet
39	-	1	Flow valve ring	Strömungsventil ring	Flow ventil ring
*41	-	1	O-ring	O-Ring	O-ring
*42	-	1	Plug gasket	Stopfen	Proppakning
43	-	1	Release pin	Druckstift	Udløsertap
*45	-	1	Wiper seal	Abstreifring	Skrabering
47	100492-4	1	Safety valve cpl.	Sicherheitsventil kpl.	Sikkerhedsventil kpl.
48	170491Q	1	Release valve cpl.	Auslöseventil kpl.	Udløserventil kpl.
49	415033C	1	Pump cylinder cpl.	Pumpenzylinder kpl.	Pumpecylinder kpl.
50	415371R	1	Release arm cpl.	Auslöserarm kpl.	Udløserarm kpl.
*	100048	1	Sealing kit incl all marked with *	Dichtungssatz alle markert *	Pakningssæt incl alle markeret med *

# 3.2 Handle parts





## 3.2 Handle parts

Parts List					
Item	Part no.	Qty	Description	Beschreibung	Beskrivelse
	415391R	1	Handle cpl.	Deichsel, Kpl.	Håndtag kpl.
2	404461	1	Top	Top	Top
3	425515	1	Release lever	Auslösehandgriff	Udløserhåndtag
4	-	1	Bushing	Buchse	Bøsning
5	-	2	Ball	Kugel	Kugle
6	-	1	Spring	Druckfeder	Trykfjeder
7	-	1	Pin	Zapfen	Tap
8	415392	1	Release rod	Auslösestange	Udløserstang
9	415083	1	Roll	Rolle	Rulle
10	931280	1	Straight Pin	Rohrstift	Rørstift
11	-	1	Screw	Schraube	Skrue
12	991087	1	Warning sticker	Warndreieck	Advarselstrekant
13	991132	1	Panther Sticker	Panther Aufkleber	Panther mærkat
14	899106	1	Plastic pocket	Tasche	Plastlomme
15	991130	1	Sticker	Aufkleber	Udløsermærkat
16	-	1	Handle	Deichsel	Håndtag
17	991155	1	Handle cardboard	Deichselkarton	Håndtagskarton
18	991243	1	Danish Design sticker	Danish Design Aufkleber	Danish Design mærkat
19	-	1	Lock nut	Gegenmutter	Sikringsmøtrik
20	951009K	1	Release chain cpl.	Auslösekette Kpl.	Udløsekæde kpl.
21	415386	1	Handle axle	Deichselachse	Håndtagsaksel
22	939120	1	Clips	Clips	Klips
23	415392K	1	Release rod cpl.	Auslösestange Kpl.	Udløserstang kpl.