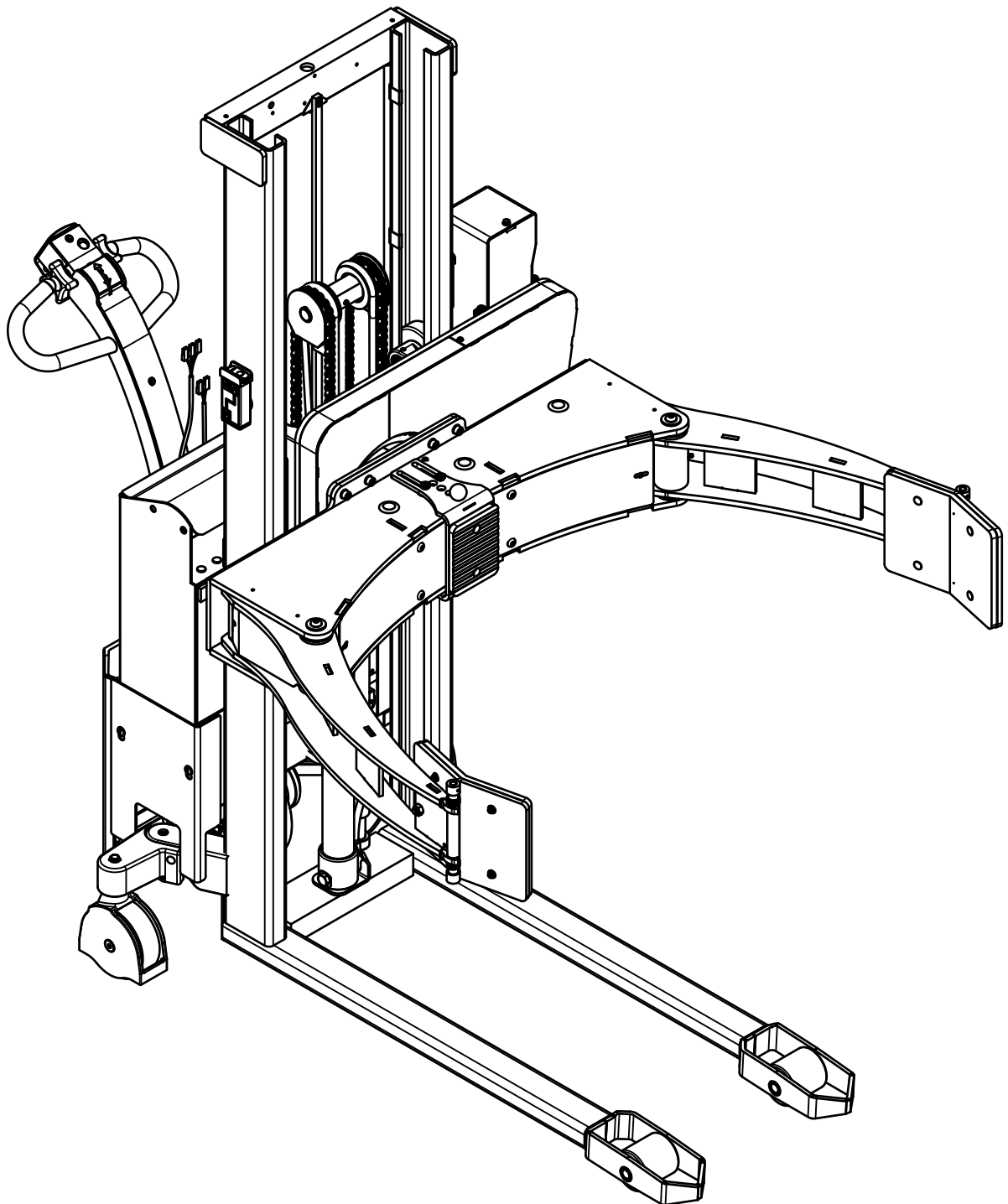
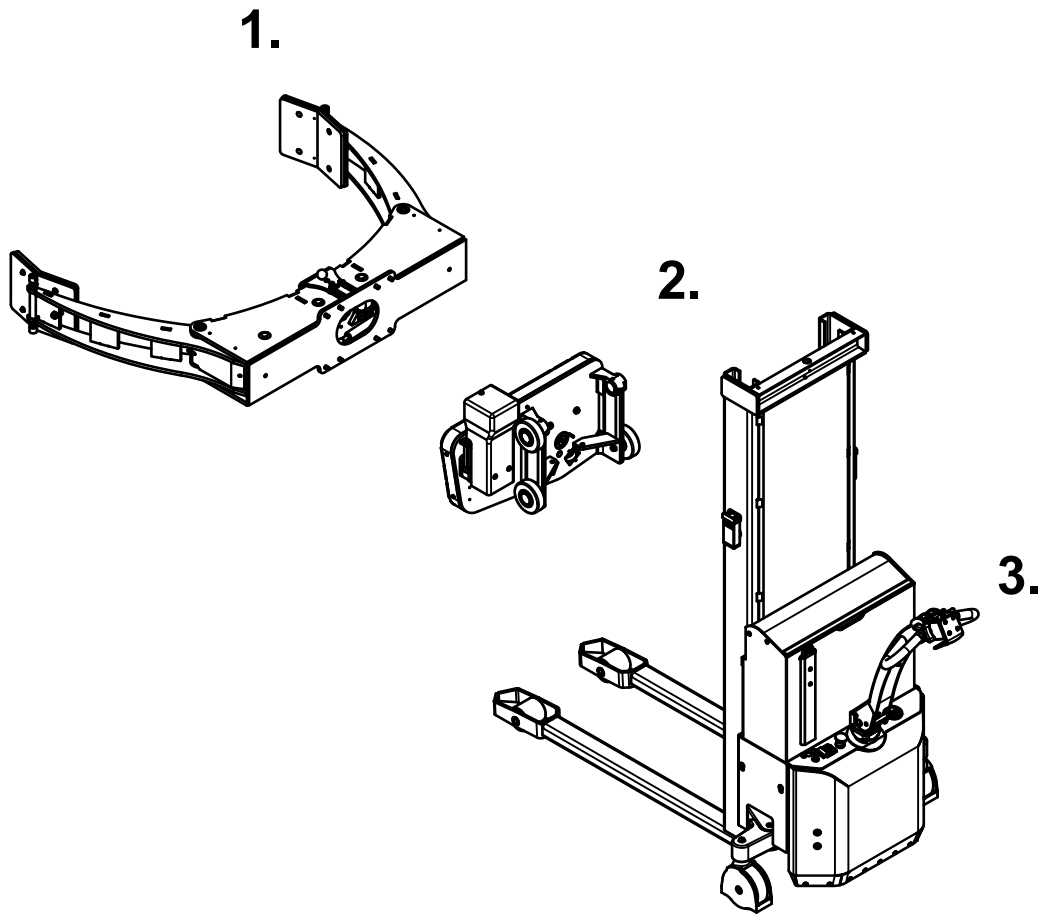


SELFRRM / SELFSRRM SELFRRRE / SELFSRRRE

Spare parts

-Addition to SELF/SELFS spare parts list





Index

1.Reel clamp.....	3
2.Rotator console.....	6
2.1 Manual.....	6
2.2 Electric.....	8
3.Parts on truck.....	13

The correct spare parts are obtainable from your dealer.
When ordering, please state:

- Serial number of the product
- Model number
- Spare part number

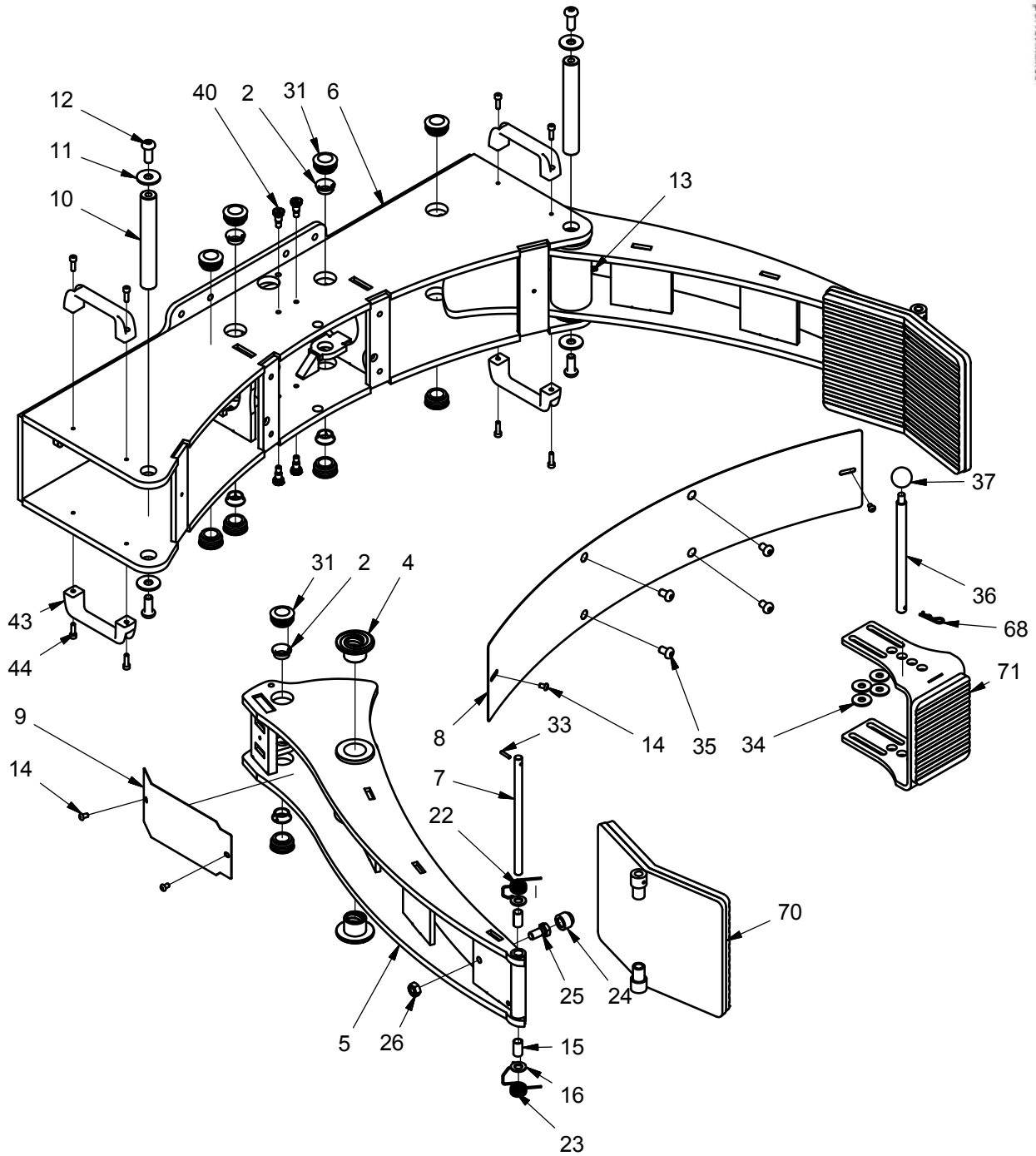
Always read the comments of a the lists
as it may be nessesary to have to consider different
Part Numbers in relation to the vehicle's serial number.

When ordering spare parts marked with "Multiple colours",
please state one of the following colour codes:

- 1: RAL 2002 (Logitrans red)
- 2: RAL 1028 (yellow)
- 3: An other RAL colour
- 6: black

Ex. 425050-1 => 425050-1-1

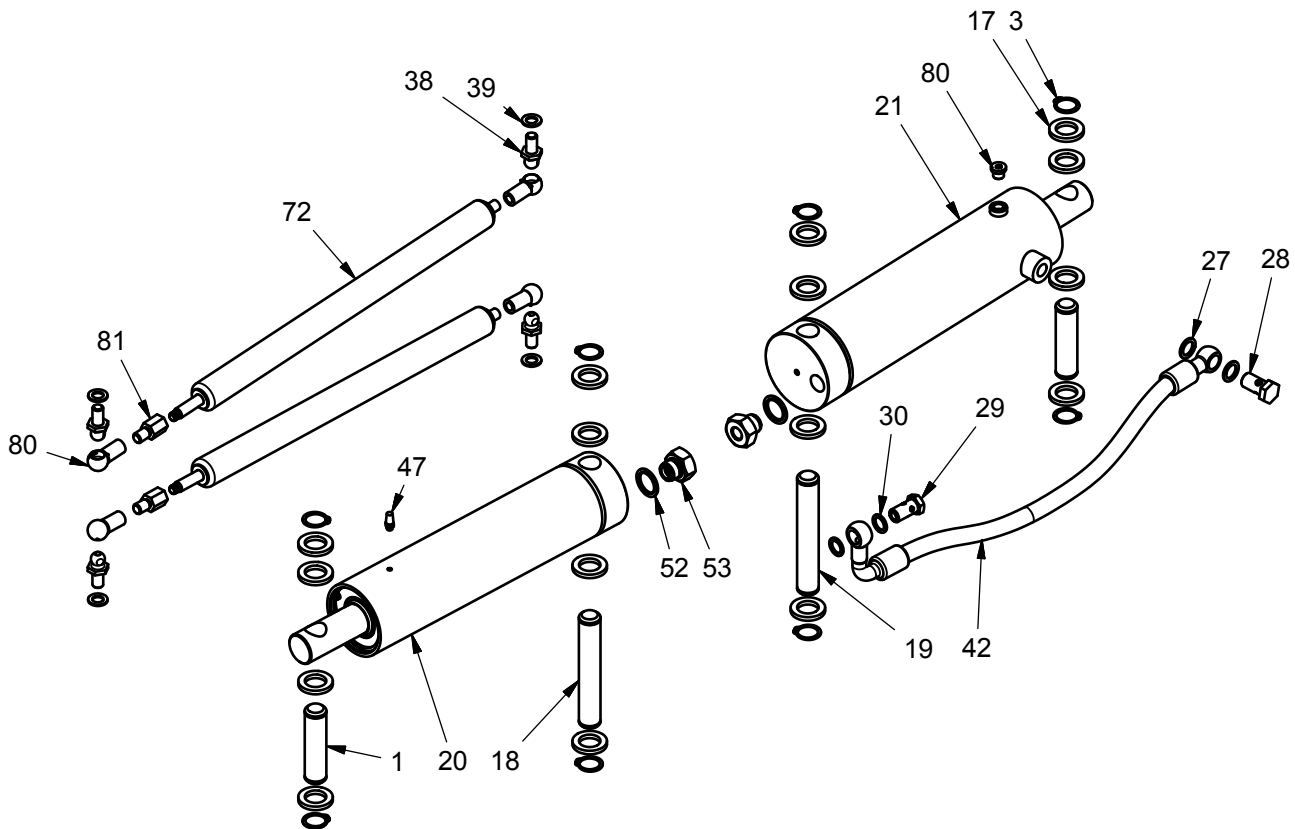
Reel clamp



Reel clamp

Item	Part no.	Qty	Description	Note
2	404062	8	Bushing	
4	445220	4	Bronze bearing	
5	445200	2	Gripping arm	Multiple colours
6	445201	1	Gripping console	Multiple colours
7	445225	2	Axle	
8	445218	1	Front cover	Multiple colours
9	445219	2	Side cover	Multiple colours
10	445224	2	Axle f/arm	
11	929130	4	Washer	
12	919230	4	Screw	
13	990012	2	Lubricator nipple	
14	919610	6	Screw	
15	948123	4	Bushing	
16	924130	4	Washer	
22	445152	2	Return spring	
23	445153	2	Return spring	
24	999012	2	Rubber cap	
25	915225	2	Screw	
26	922120	2	Nut	
31	993036	12	Plug cap	
33	931420	2	Spring pin	
34	924112	4	Washer	
35	919120	4	Screw	
36	445244	1	Locking pin	
37	941310	1	Bakelite ball	
40	919226E	4	Bolt	
43	996120	4	Handle	
44	912620	8	Screw	
68	939002	1	R clip	
70	445202K	2	Gripping pad	
71	445243K	1	Adjustable support plate	
81	995141	4	Ball joint	Bolt not included
82	445247	2	Spring connector	

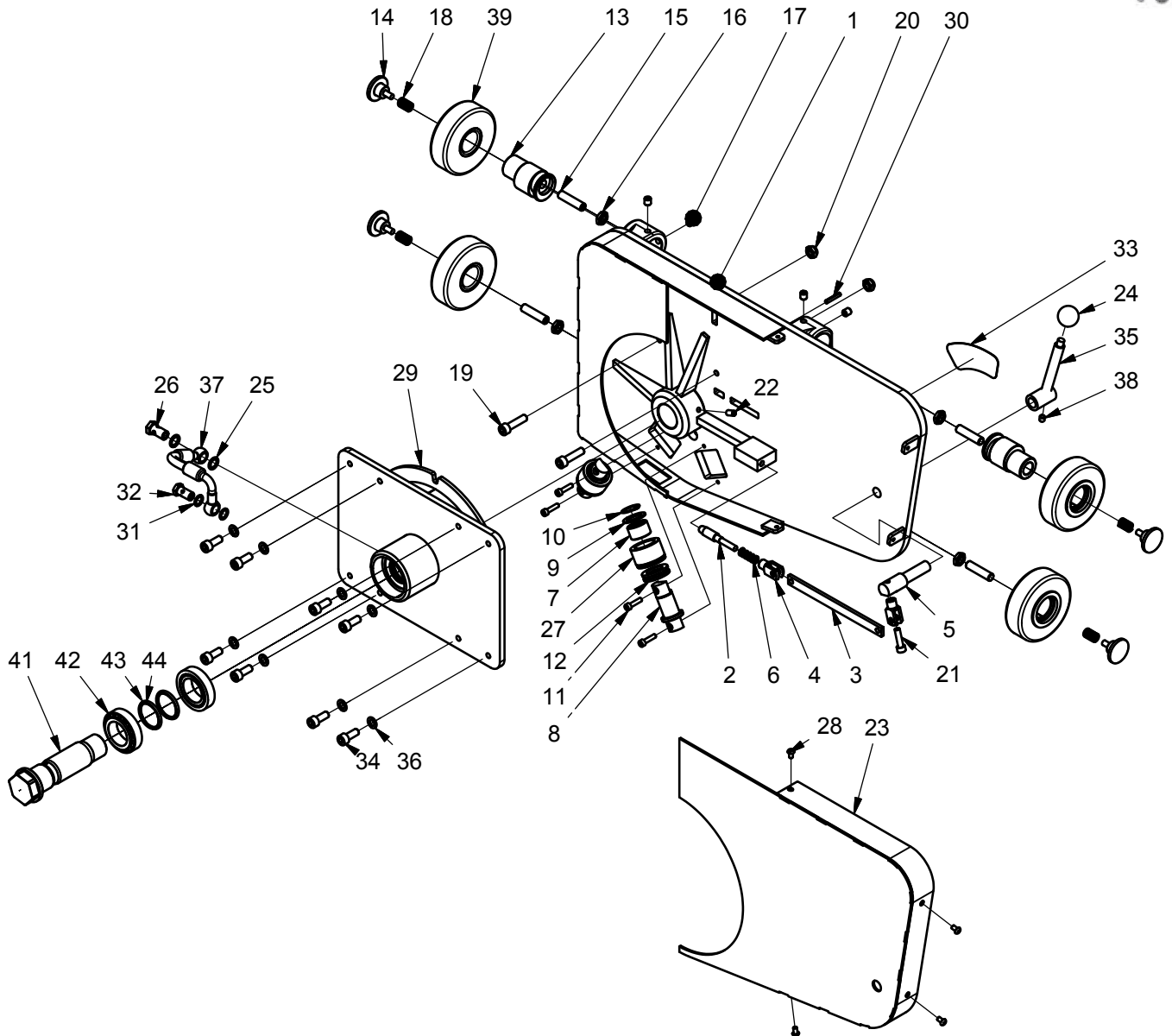
Reel rotator



Item	Part no.	Qty	Description	Note
1	445221	2	Assembly axle piston rod	
3	933200	8	Locking ring	
17	929203	16	Axle washer	
18	445223	1	Cylinder assembly axle 2	
19	445222	1	Cylinder assembly axle 1	
20	445227	1	Slave cylinder	Item 47-52-53 included Serialno. <4167299 use port no.445227RU
21	445226	1	Primary cylinder	Item 47-52-53 included Serialno. <4167299 use port no.445226RU
27	905145	2	Copper washer	
28	971146	1	Banjo bolt	
29	973015	1	Banjo bolt	
30	905143	2	Copper washer	
33	931420	2	Spring pin	
38	445245	4	Ball stud bolt	
39	924101	4	Washer	
42	445112	1	Cylinder connector (syncro)	
47	966115	1	Silencer/filter	
52	905207	2	Sealing disc	
53	402350-3	2	Insert	Serialno. <4167299 use part no.402786
72	995140R	2	Gas extension spring	Item 80-81 included
80	919111	1	Filler plug	
81	995141	4	Ball joint	Bolt not included
82	445247	2	Spring connector	

Rotator console

Manual rotation



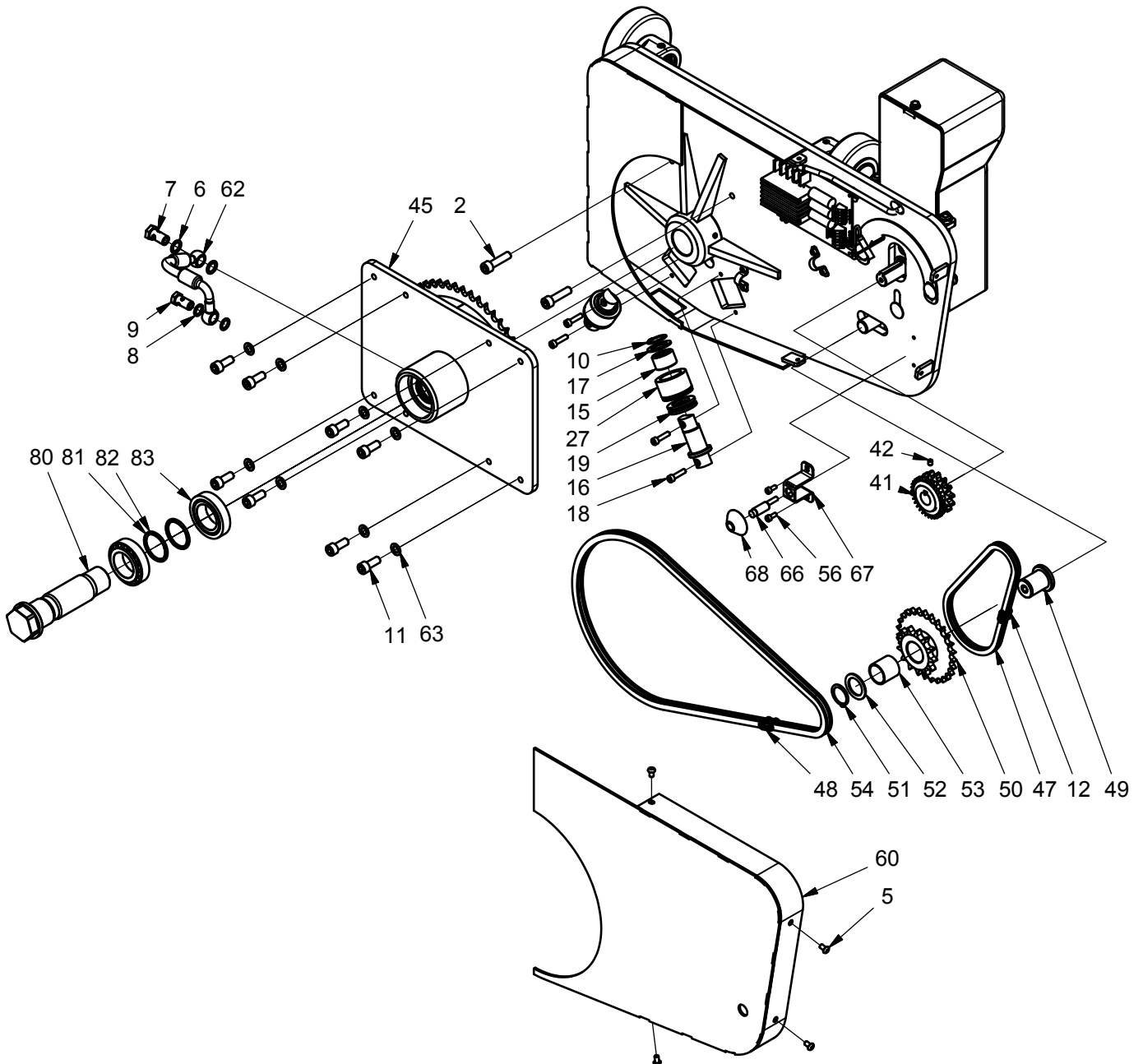
Rotator console

Manual rotation

Item	Part no.	Qty	Description	Note
1	445008	1	Rotator console	Multiple colours
2	445017	1	Release pin	
3	445040	1	Release rod	
4	939008	2	Fork head	
5	445042	1	Release axle	
6	958033	1	Spring	
7	949252	2	Roller bearing	
8	404256	2	Support axle	
9	924250	2	Washer	
10	933250	2	Locking ring	
11	912625	4	Screw	
12	945025	2	Bearing	
13	404076	2	Eccentric axle	
14	420153	4	Tap for fork bracket	
15	910250	4	Pointed screw	
16	920122	4	Counter nut	
17	910012	4	Pointed screw	
18	958144	4	Spring	
19	912140	2	Screw	
20	921100	2	Lock nut	
21	912830	1	Screw	
22	910816	1	Pointed screw	
23	445012	1	Cover	Multiple colours
24	941310	1	Bakelite ball	
25	905145	2	Copper washer	
26	971146	1	Banjo bolt	
27	445026	2	Support roller	
28	919610	4	Screw	
29	445024	1	Hydraulic console	Multiple colours
30	937530	1	Tubular pin stainless	
31	905143	2	Copper washer	
32	973015	1	Banjo bolt	
33	991264	1	Rotation label	
34	912125	8	Screw	
35	445046	1	Handle f/release axle	
36	924101	8	Washer	
37	445110	1	Hydraulic hose	
38	910808	1	Screw	
39	404073K	4	Mast roller	Bearing bush included
41	445025	1	Bearing axle	
42	945468	2	Bearing	
43	900425	2	O-ring sealing	Replace with 909400
44	909400	2	Rotational sealing	Replace with 900425

Rotator console

Electric rotation



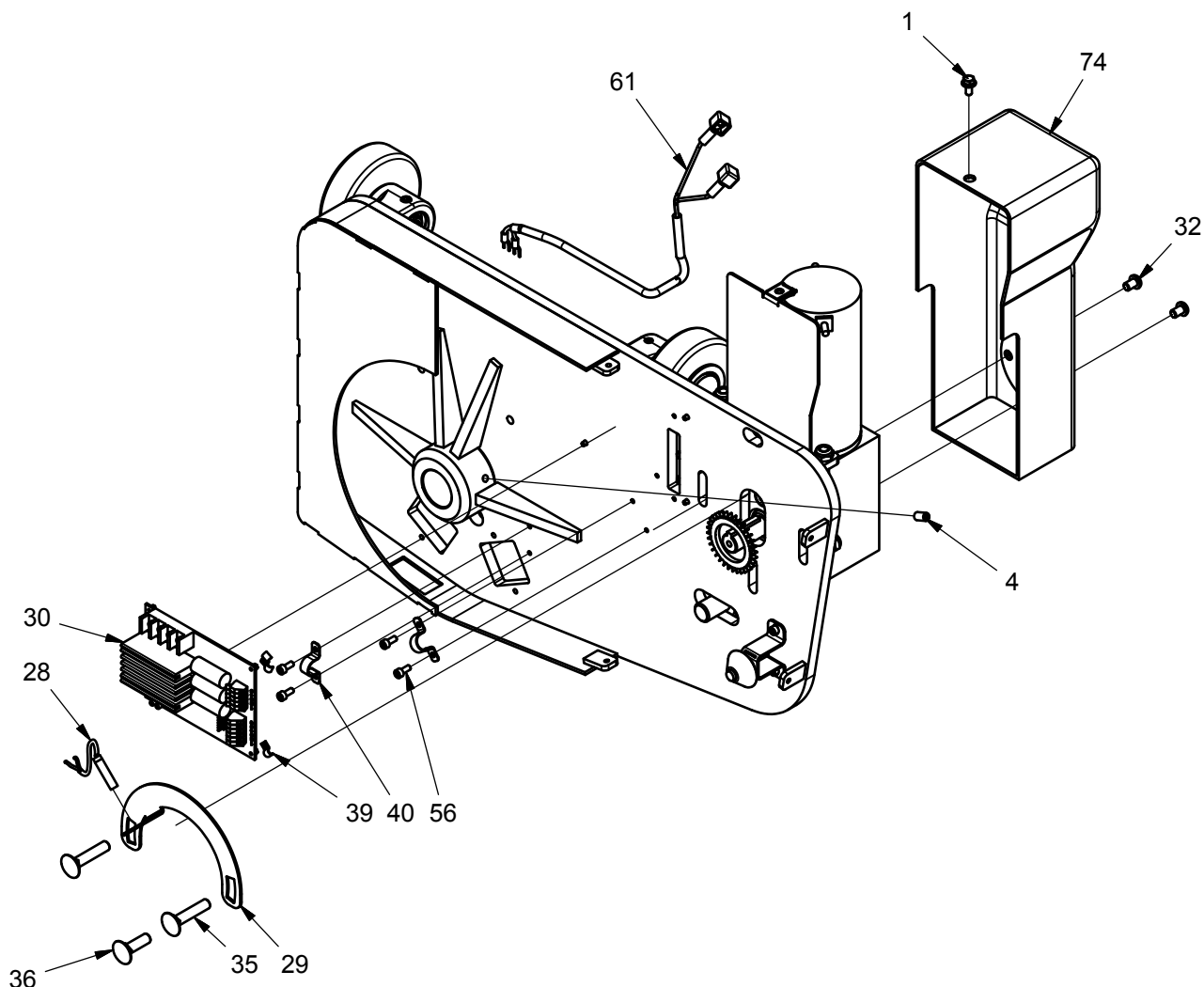
Rotator console

Electric rotation

Item	Part no.	Qty	Description	Note
2	912140	2	Screw	
5	919610	4	Screw	
6	905145	2	Copper washer	
7	971146	1	Banjo bolt	
8	905143	2	Copper washer	
9	973015	1	Banjo bolt	
10	933250	2	Locking ring	
11	912125	8	Screw	
12	951021	1	Chain connector	
15	949252	2	Roller bearing	
16	404256	2	Support axle	
17	924250	2	Washer	
18	912625	4	Screw	
19	945025	2	Bearing	
27	445026	2	Support roller	
41	445037-1	1	Chain sprocket	Serial no. <4163516 use 445037
42	910608	1	Pointed screw	
45	445023K	1	Hydraulic console electri, cpl	Item 80-81-82-83 included Multiple colours
47	403059	1	Chain	
48	951042	1	Chain connector	
49	404258	1	Chain wheel pin	
50	403040	1	Chain wheel	
51	933280	1	Circlip	
52	924280	1	Washer	
53	948313	1	Bushing	
54	445038	1	Chain	
56	912512	9	Screw	
60	445012	1	Cover	Multiple colours
62	445110	1	Hydraulic hose	
63	924101	8	Washer	
65	445061	1	Button	
66	985407	1	Inductive sensor f/motor contr	
67	445065E	1	Sensor bracket	
68	445067	1	Sensor cover	
80	445025	1	Bearing axle	
81	909400	2	Rotational sealing	Replace with 900425
82	900425	2	Oring sealing	Replace with 909400
83	945468	2	Bearing	

Rotator console

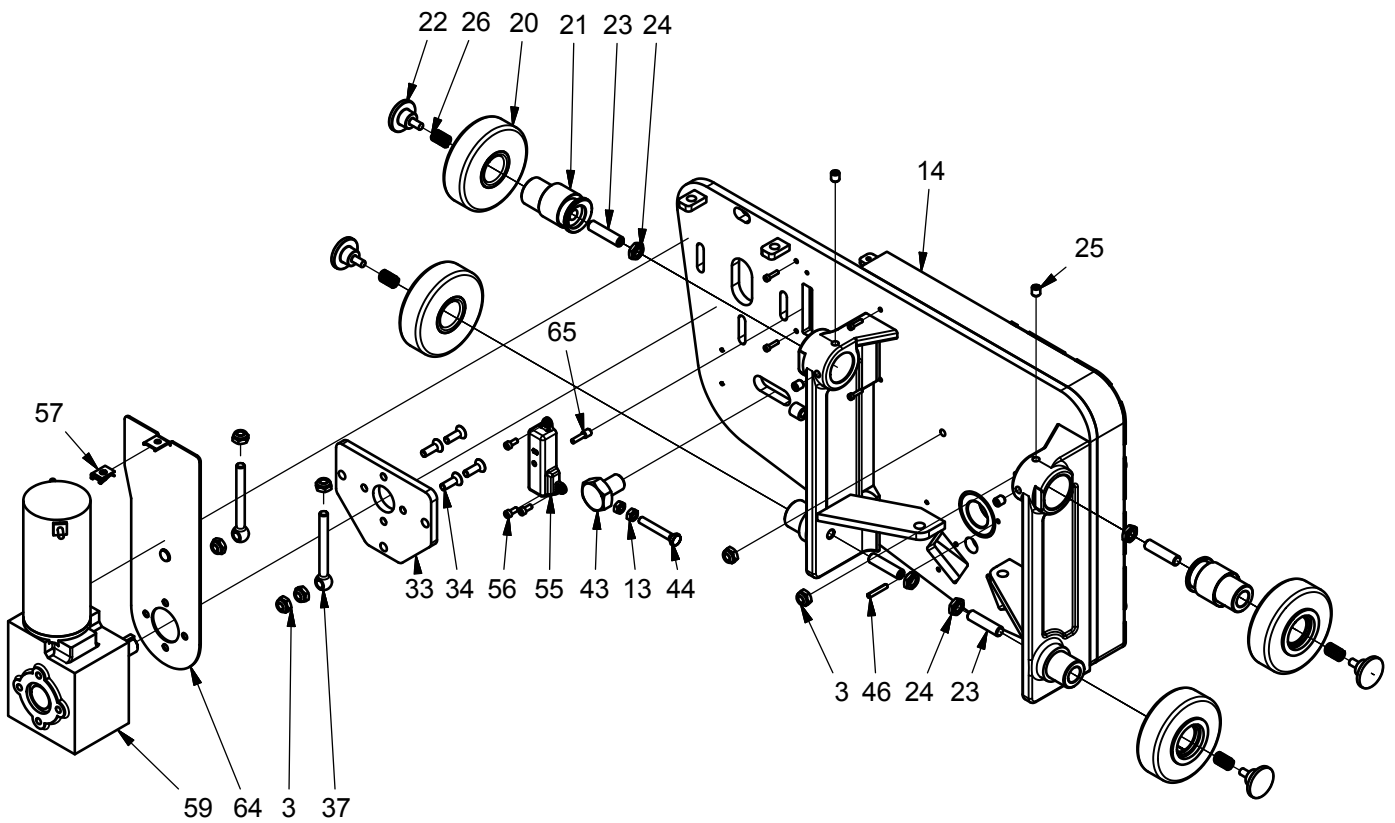
Electric rotation



Item	Part no.	Qty	Description	Note
1	916612	1	Screw	
4	910816	1	Pointed screw	
28	985406	1	Inductive sensor	Serial no. <4163516 use 985407
29	404277	1	Sensor mount	
30	985405RR	1	Motor control unit	Serial no. <4163516 use 985405
32	919812	2	Screw	
35	919151	2	Bolt	
36	919136	1	Bolt	
39	980204	3	Cable mount	
40	989050	2	cable mount	
56	912512	9	Screw	
61	150021	1	Cable	
74	404225R	1	Motor cover	

Rotator console

Electric rotation

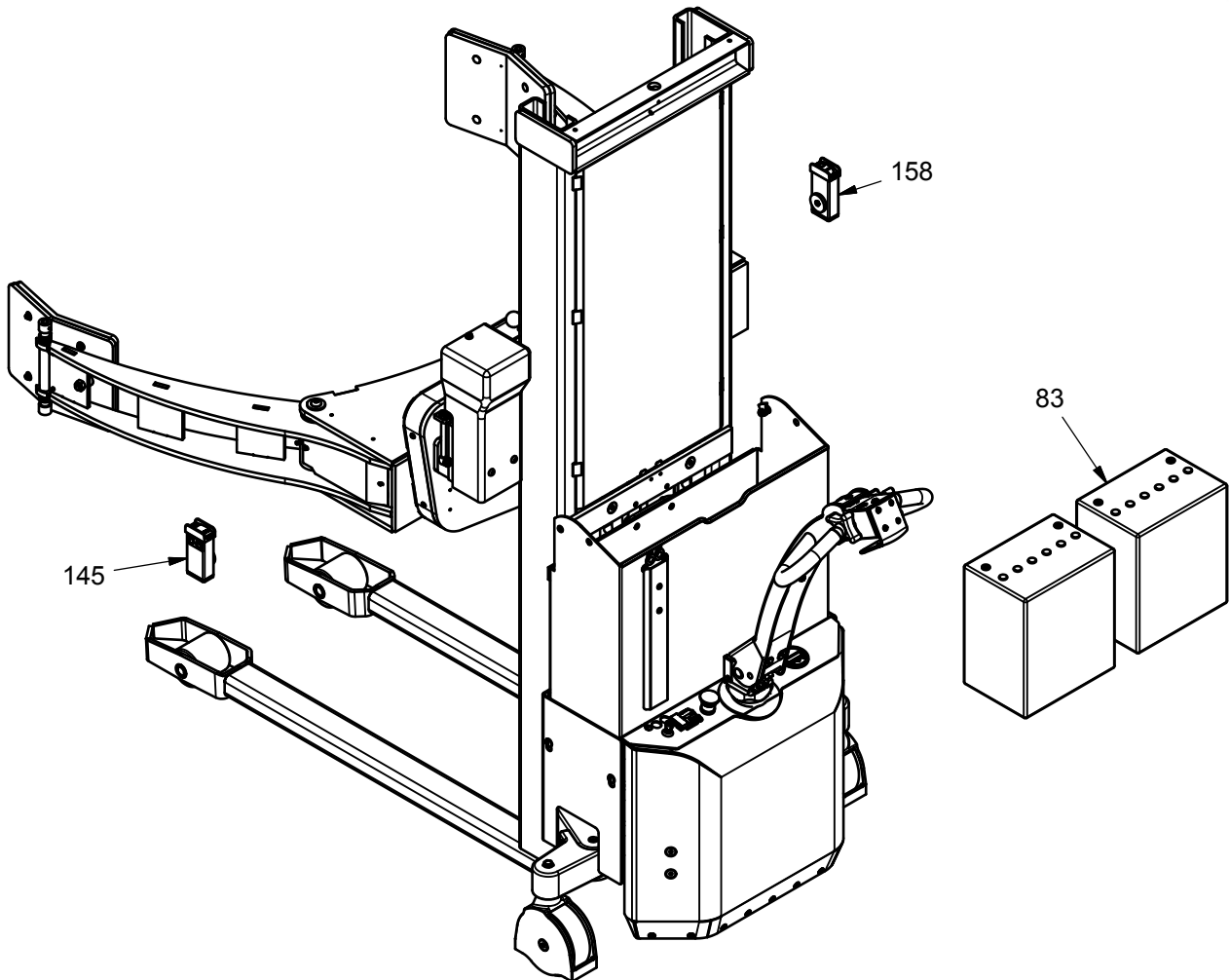


Rotator console

Electric rotation

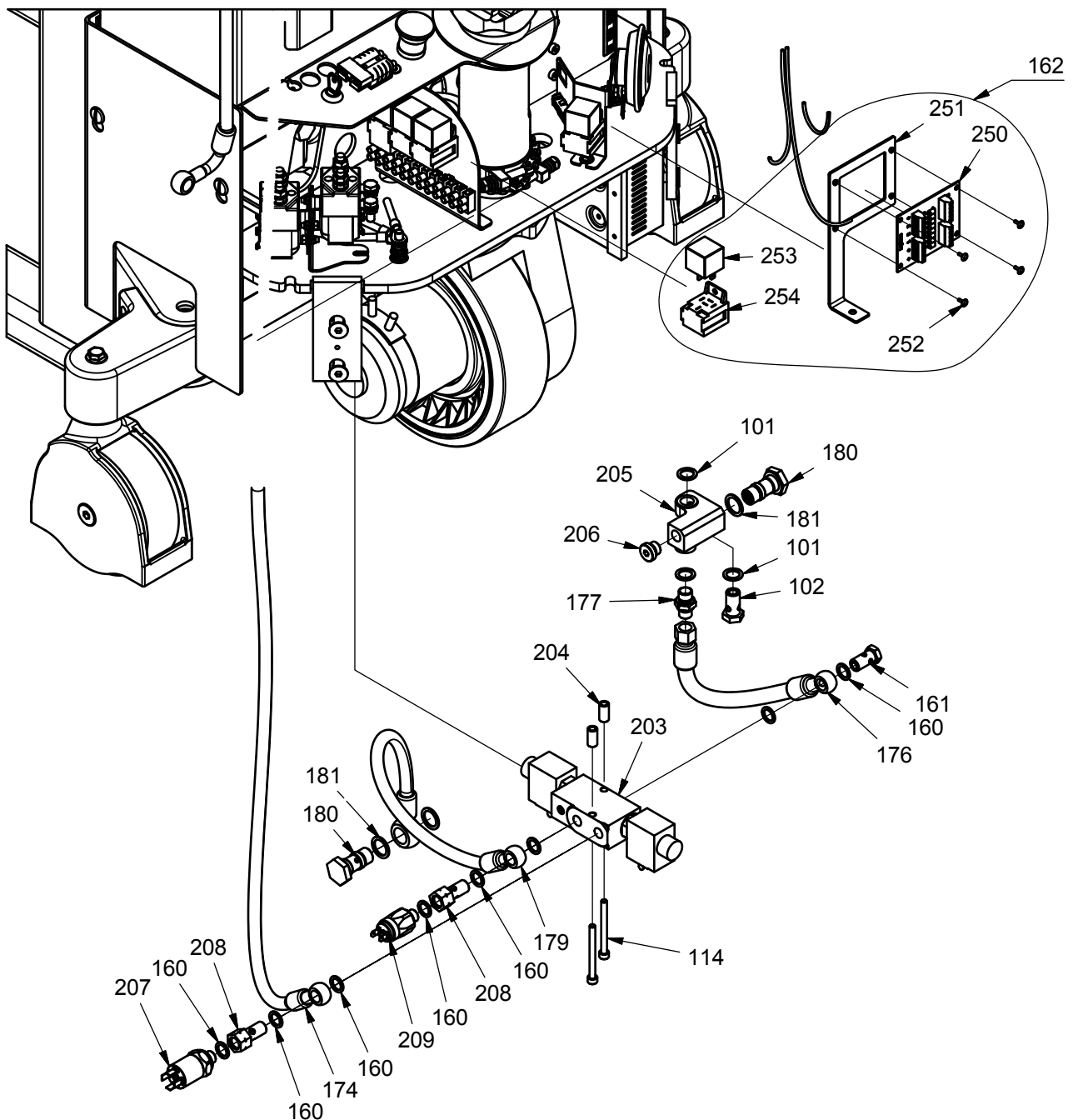
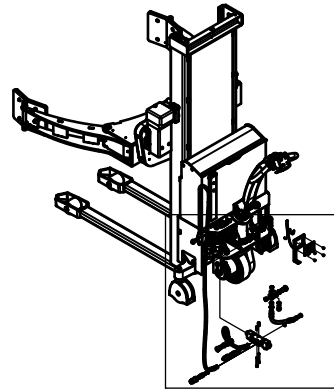
Item	Part no.	Qty	Description	Note
3	921100	7	Lock nut	
13	922080	2	Nut	
14	445005	1	Rotator console	Multiple colours
20	404073K	4	Mast roller	Bearing bush included
21	404076	2	Eccentric axle	
22	420153	4	Tap for fork bracket	
23	910250	4	Pointed screw	
24	920122	4	Counter nut	
25	910012	4	Pointed screw	
26	958144	4	Spring	
33	403691	1	Flange	Multiple colours
34	911825	4	Screw	
37	919110	2	Eye bolt	
43	404257	1	Bolt	
44	919855	1	Screw	
46	937530	1	Tubular	
55	445060	1	Cover	
56	912512	9	Screw	
57	920062	1	Plate nut	
59	985260	1	Gear motor 12 Volt	
64	445055	1	Shield plate	Multiple colours
65	445061	1	Button	

Parts on truck



Item	Part no.	Qty	Description	Note
83	986520R	2	Battery 12V	
145	160186	1	Remote control rotate	
158	160950	1	Remote control clamp	

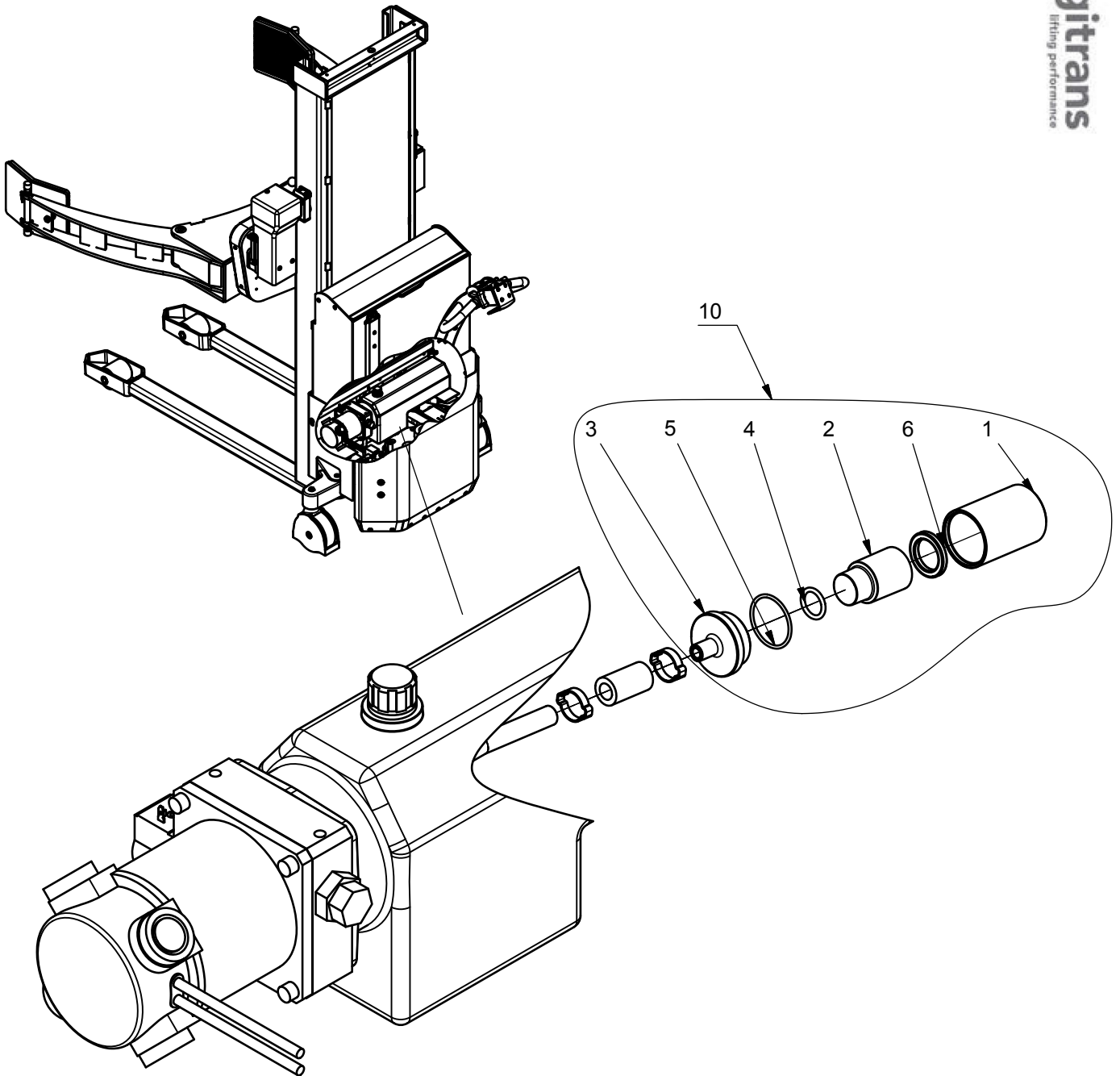
Parts on truck



Parts on truck

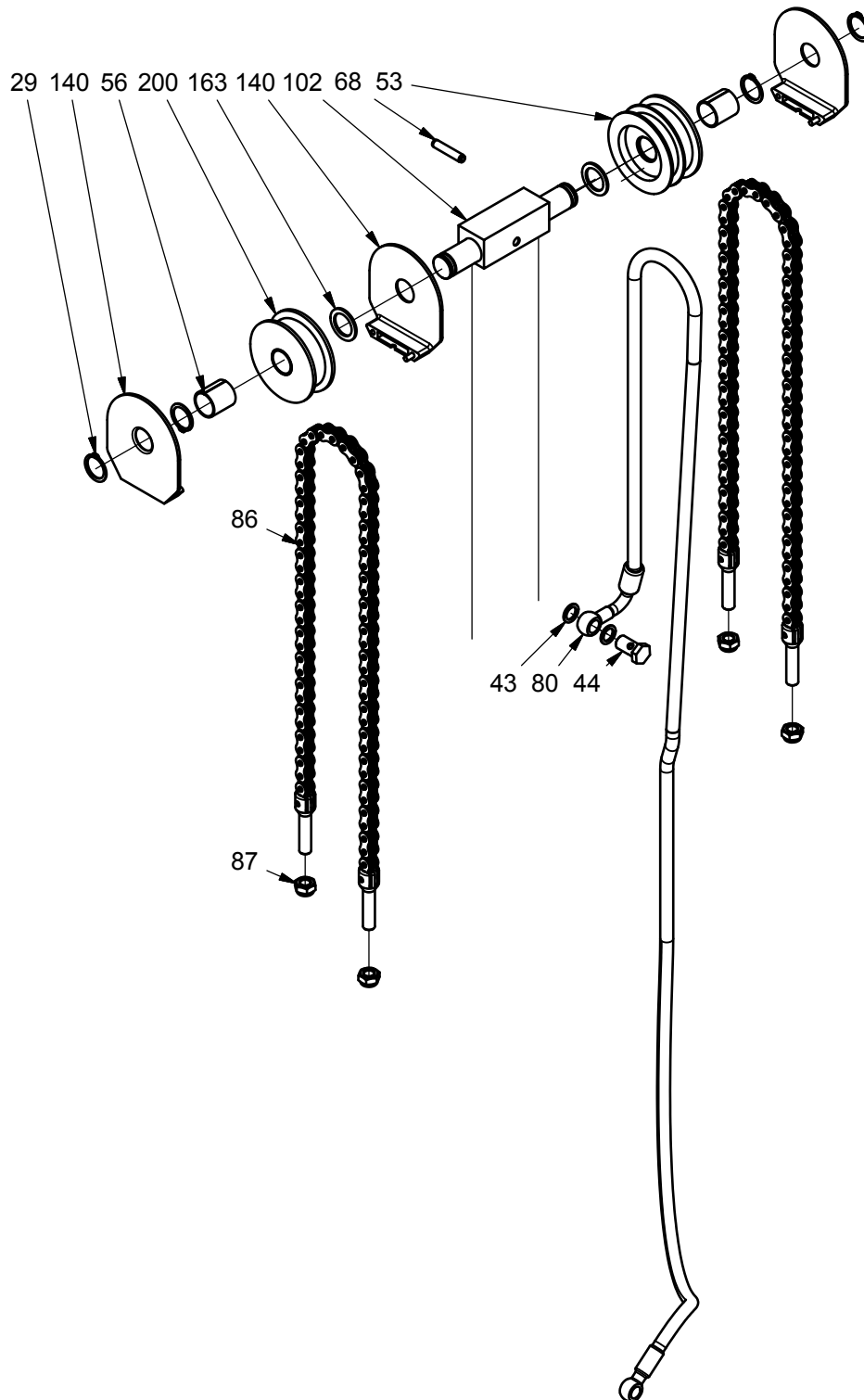
Item	Part no.	Qty	Description	Note
101	905145	3	Copper washer	
102	971146	1	Banjo bolt	
114	912665	2	Screw	
160	905143	8	Copper washer	
161	973015	1	Banjo bolt	
162	160181-3-1	1	Hydraulic controller complete	Wiring harness included Serial no. <4164309 use 160181-3
174	445114-2	1	Hydraulic hose	
176	445117	1	Hydraulic connector	
177	973117	1	Nipple	
179	445111	1	Hydraulic connector	
180	984843	2	Flow valve	
181	905180	3	Copper washer	
203	445135	1	Directional control valve	
204	445246	2	Spacer	
205	445107R	1	Valve housing	
206	973815	1	Screw plug	
207	988014R	1	Pressure switch	Serial no. <4164309 use 988012
208	445059	2	Banjo bolt	
209	988013R	1	Pressure switch	
250	160183	1	Hydraulic controller	
251	445150	1	Mount plate	
252	999005	4	Snap rivet	
253	982178	1	Relay	Only serial no. <4164309
254	982058	1	Socket	Only serial no. <4164309

Parts on truck



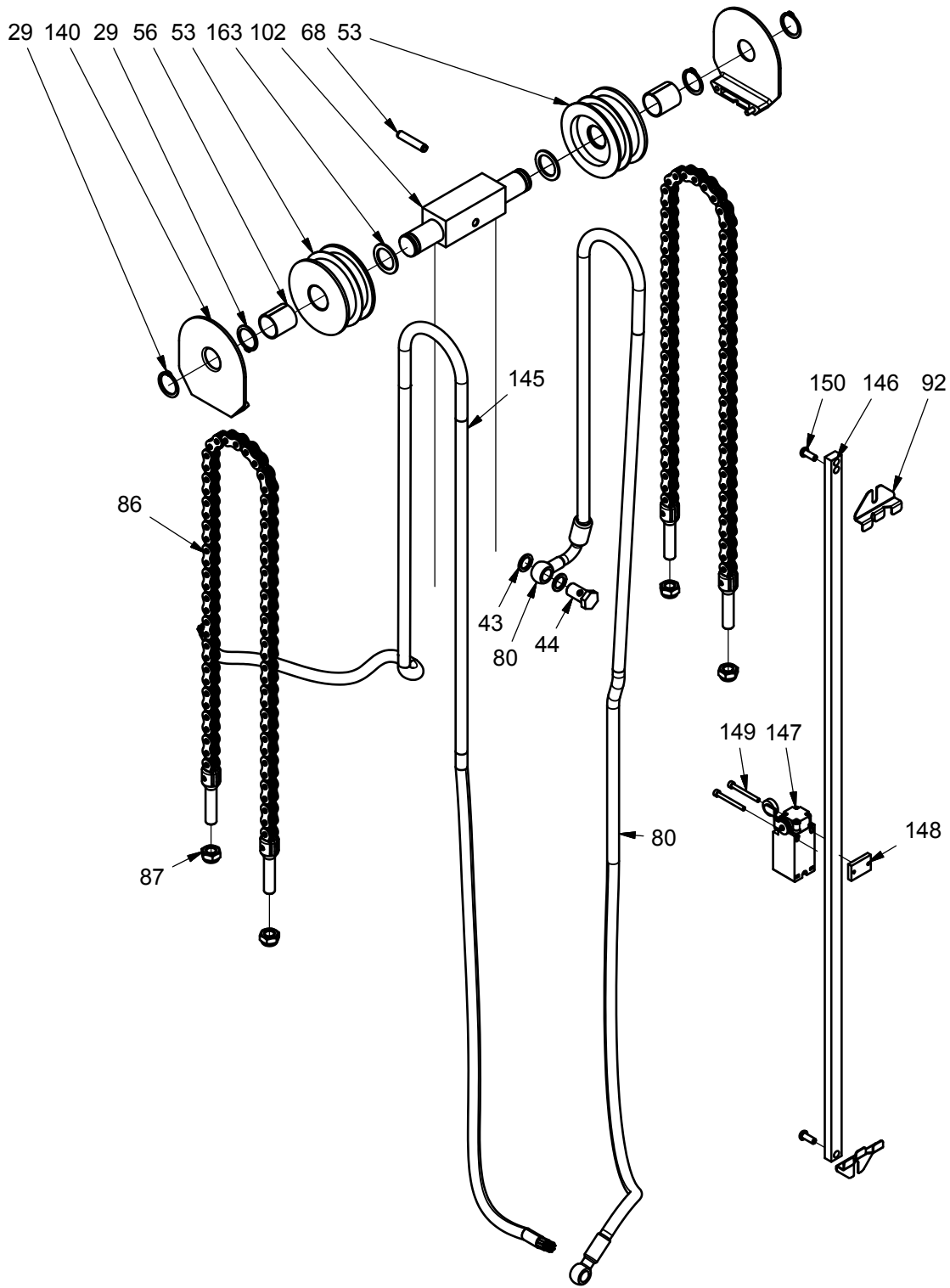
Item	Part no.	Qty	Description	Note
1	445091	1	Filter housing	
2	999010	1	Filter insert	
3	445092	1	Filter end cover	
4	900140	1	O-ring	
5	900282	1	O-ring	
6	900183	1	Quad ring	
10	445090	1	Filter complete	

Parts on truck SELFRRM/SELSRRM



Parts on truck

SELFRRRE/SELSRRE



Parts on truck

Item	Part no.	Qty	Description	Note
29	933250	6	Locking ring	
43	905145	9	Copper washer	
44	971146	4	Banjo bolt	
51	912125	8	Screw	
53	403031	2	Cable roller	SELFRRM/SELFSRRM only 1 pcs.
56	404063	2	Bushing	
68	931840	1	Pin	
80	445114-1	1	Hydraulic connector	
86	402704	2	Lifting chain	
87	921120	4	Lock nut	
92	404458	2	Clip	
102	404146	1	Cross piece	
140	402263	3	Cover	SELFRRR/SELFSRRR onle 2 pcs.
145	981211	1	Cable	
146	420192-4	1	Fitting	
147	982228	1	Switch	
148	420159	1	Switch mount	
149	912440	2	Screw	
150	919617	2	Screw	
163	926250	2	Washer	
200	404064	1	Chain roller	