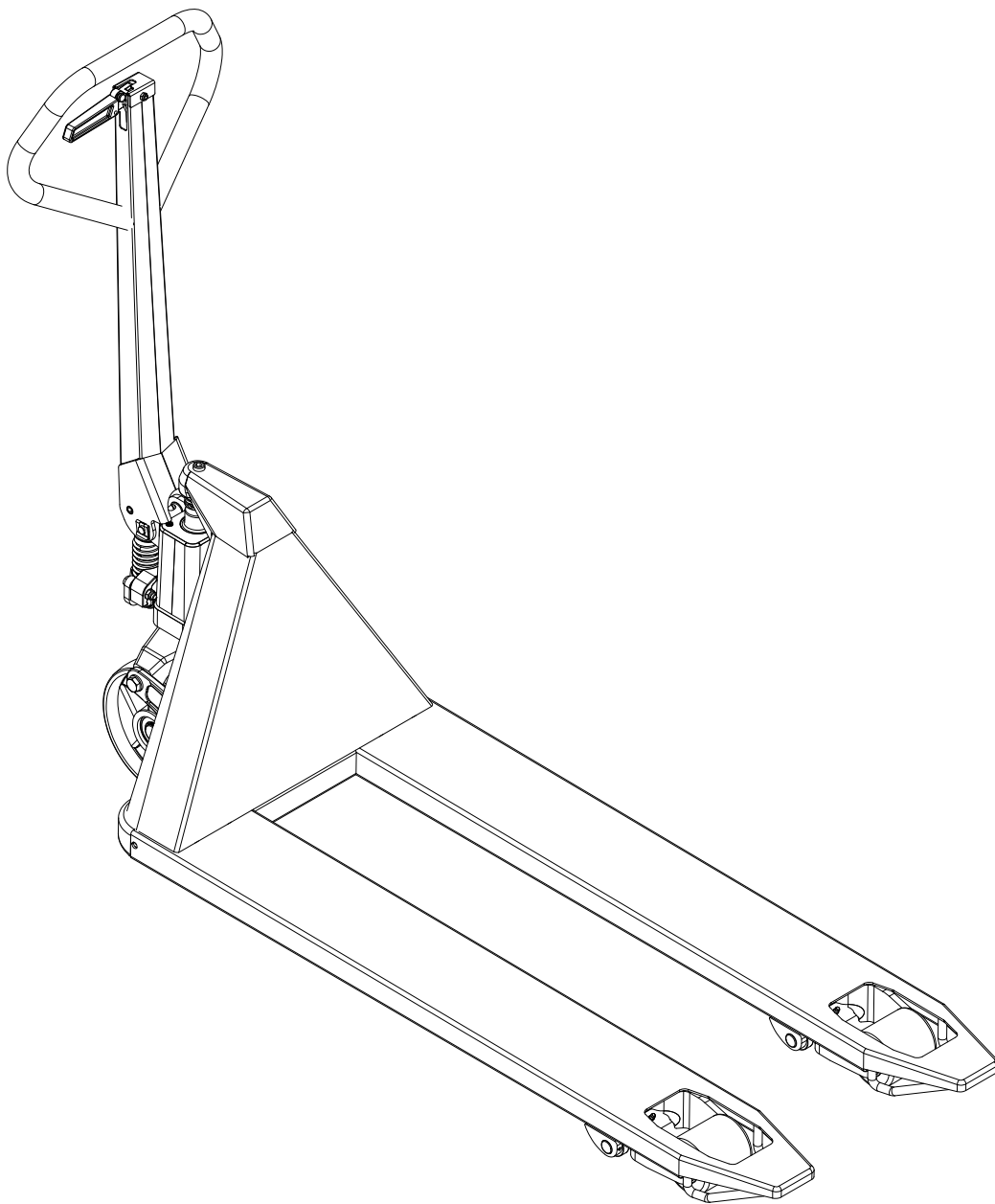
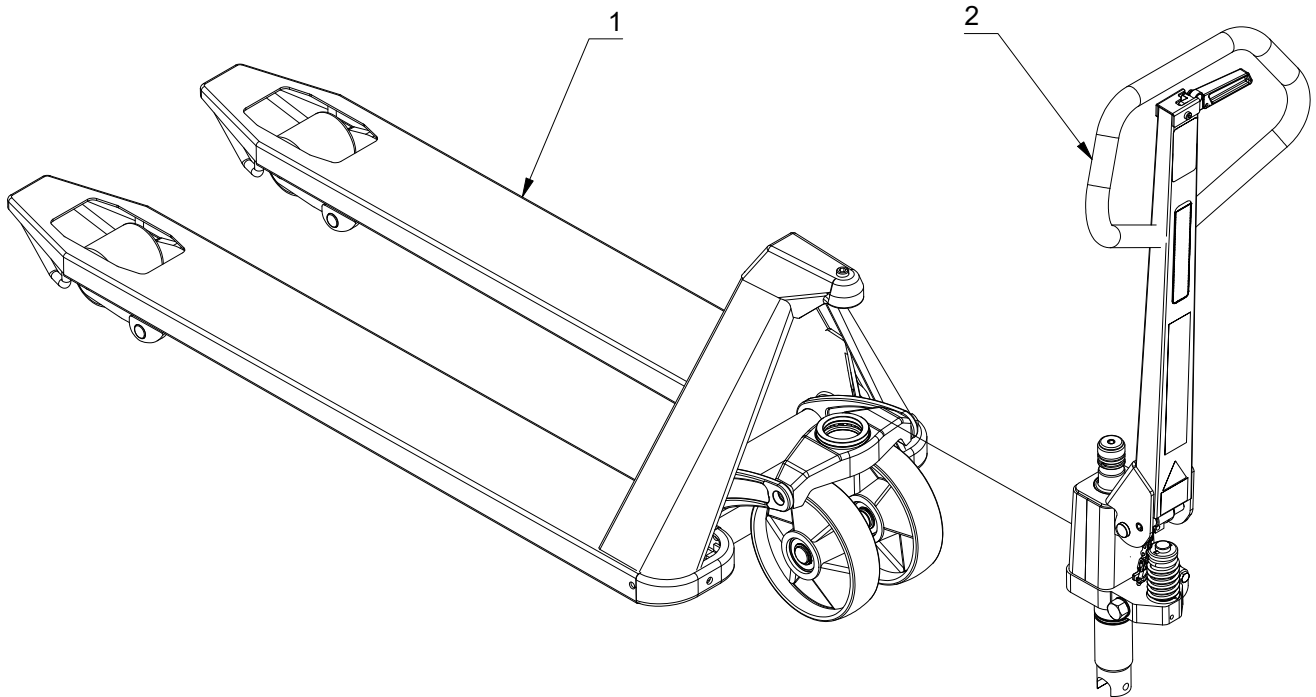


Panther 2582 & 2572

Spare parts list





Index

1. Chassis.....	3
2. Pump with handle.....	6
Pump.....	7
Handle.....	10
* Brake kit	12

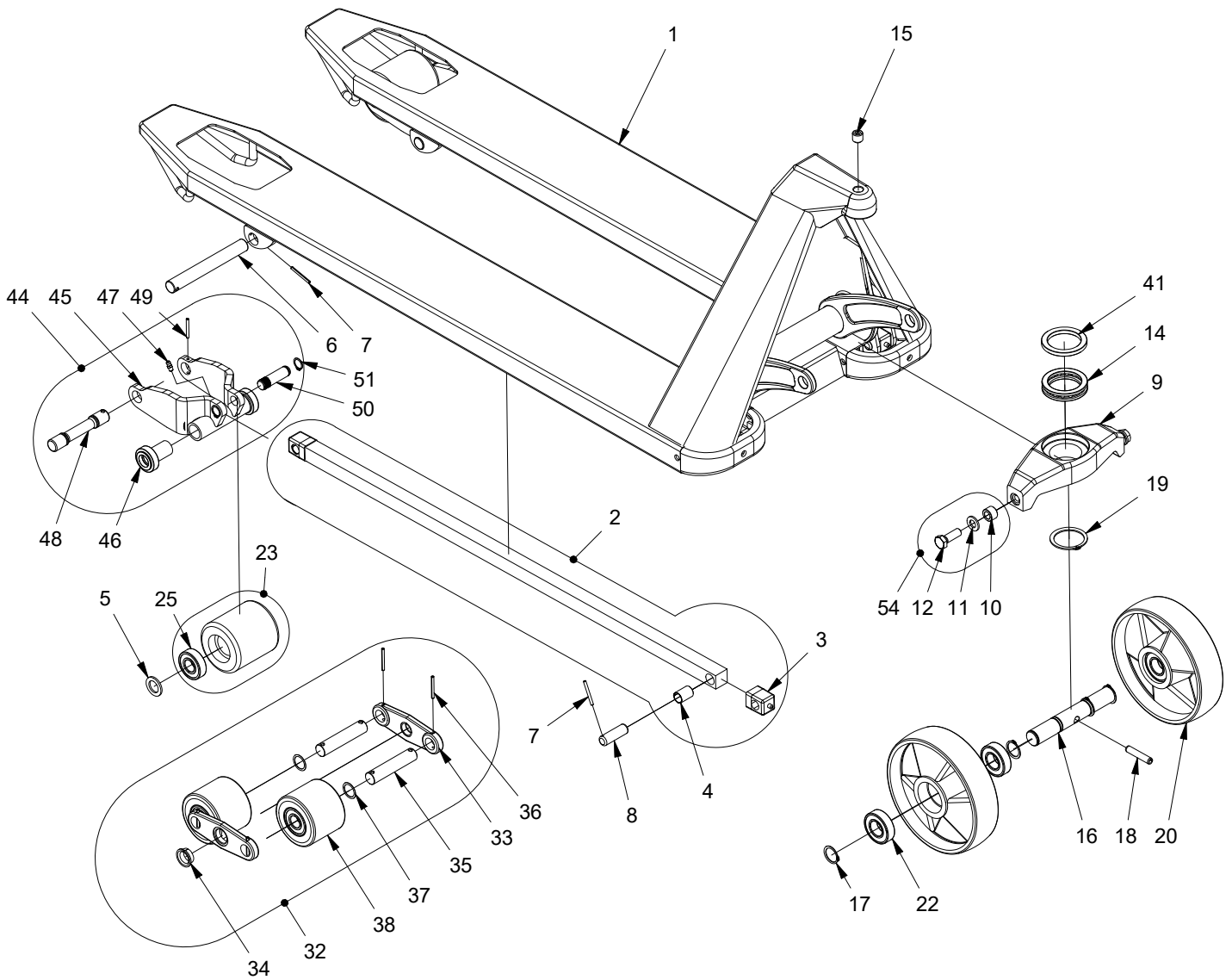
The correct spare parts are obtainable from your dealer.
When ordering, please state:
- Serial number of the product
- Type and width/length of the product
- Spare part no. and quantity

Always read the comments of a the lists
as it may be necessary to have to consider different
Part Numbers in relation to the vehicle's serial number.

When ordering spare parts marked with "Multiple colours",
please state one of the following colour codes:
-1: RAL 2002 (Logitrans red)
-2: RAL 1028 (yellow)
-3: Another RAL colour
-6: black
Ex. 415182-1 => 415182-1-1

The information contained in this spare parts list is updated at
the time of publication.
However, in the course of constant development, changes in
specifications are inevitable. Should you find the information
given in this spare parts list different to the actual machine,
please contact the "After Sales Department" for advice.

Chassis



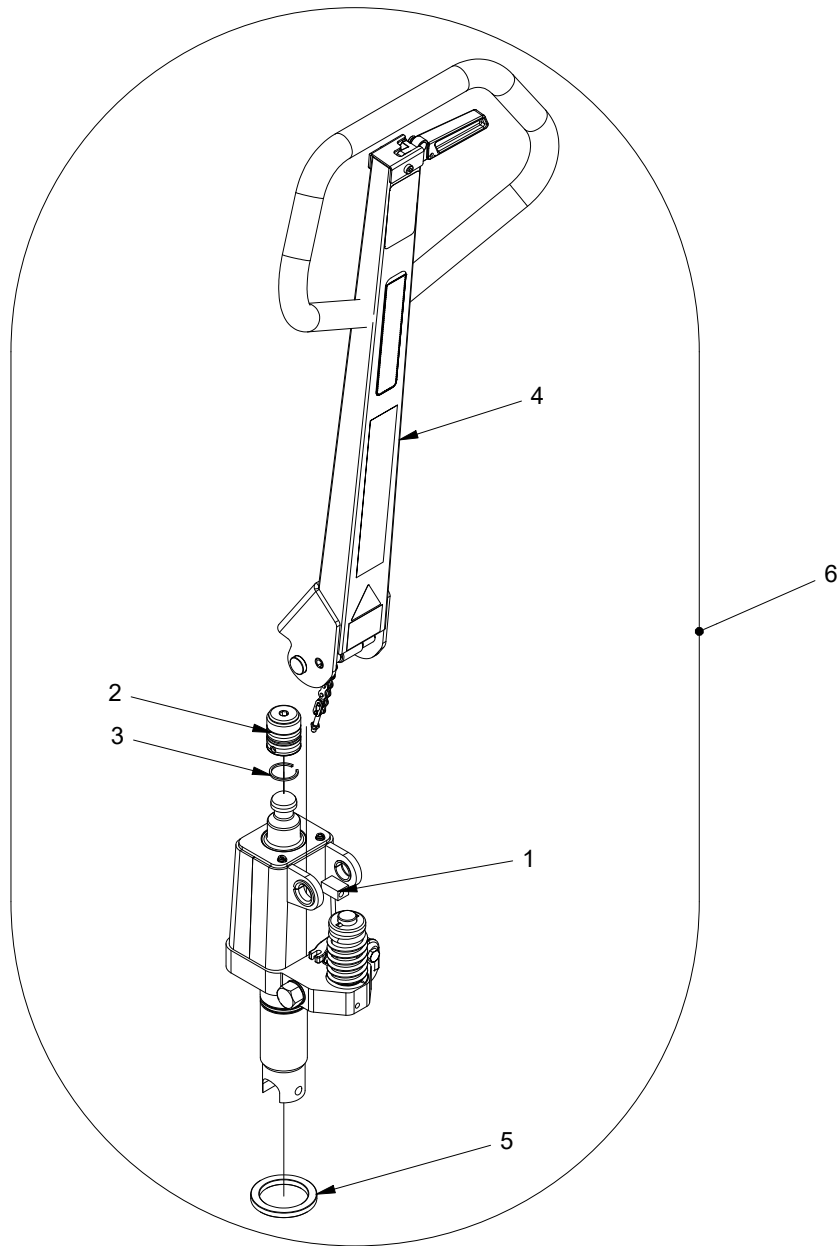
Chassis

Item	Part no.	Qty	Description	Note
1	41518X-X	1	Chassis	Multiple colours
2	415106-X 415302-X	2	Push rod Push rod	Incl. Items 3 and 4
3	415122	4	Tightening f/push rod	
4	948201	4	Bushing	
5	400159	4	Nylon Washer	
6	400131	2	Fork axle	
7	931440	4	Straight Pin	
8	415114	2	Axle	
9	415109	1	Thrust plate	
10	-	2	Bushing	
11	-	2	Washer	
12	-	2	Screw	
14	945050	1	Thrust bearing	
15	910616	1	Pointed screw	
16	415024	1	Steering wheel axle	
17	933250	4	Locking ring	
18	931150	1	Straight Pin	
19	933500	1	Circlip	
20	300046L 300047L 300050L 300051D 403863L 4039031L 300049DL	2	Steering wheel Nylon with bearings Steering wheel Vulkollan with bearings Steering wheel Rubber with bearings Steering wheel Steel with bearings Steering wheel Polyurethan with bearings Steering wheel Nylon white with bearings Steering wheel Antistatic with bearings	Incl. Item 22
22	946253	4	Ball bearing	
23	300063L 403862L 300062L 300067L 300040L 3000401L 403860L 300041L 300038L	2	Fork wheel Ø75 Nylon with bearings Fork wheel Ø75 Polyurethan with bearings Fork wheel Ø75 Vulkollan with bearings Fork wheel Ø75 Steel with bearings Fork wheel Ø85 Nylon with bearings Fork wheel Ø85 Nylon white with bearings Fork wheel Ø85 Polyurethan with bearings Fork wheel Ø85 Vulkollan with bearings Fork wheel Ø85 Steel with bearings	Panther2572; Incl. Item25 Panther2582; Inkl. Item25
25	946243	4	Ball bearing	
32	404007 404008 404009 404010 300043 403864 300044 300172	2	Tandem cpl. Ø75 Nylon Tandem cpl. Ø75 Polyurethan Tandem cpl. Ø75 Vulkollan Tandem cpl. Ø75 Steel Tandem cpl. Ø85 Nylon Tandem cpl. Ø85 Polyurethane Tandem cpl. Ø85 Vulkollan Tandem cpl. Ø85 Steel	Panther2572; Incl. Items 33, 34, 35, 36, 37, 38 Panther2582; Incl. Items 33, 34, 35, 36, 37, 38

Chassis

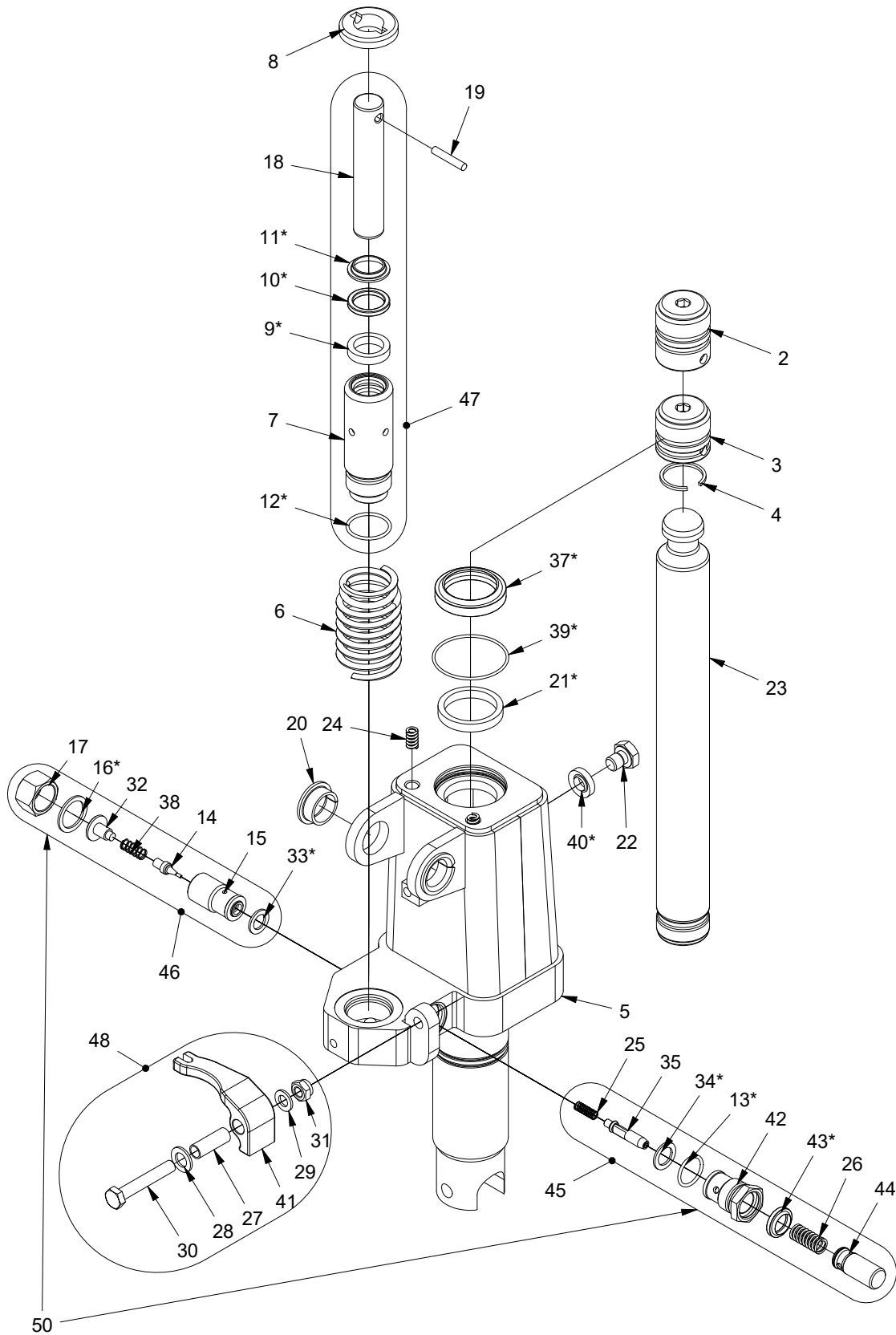
Item	Part no.	Qty	Description	Note
33	404060	4	Tandem bracket	
34	404062	4	Bushing	
35	400162	4	Tandem axle	
36	931440	8	Straight Pin	
37	929200	8	Wave Washer	
38	404003L	4	Tandem wheel Ø75 Nylon with bearings	Panther2572
	404004L		Tandem wheel Ø75 Poly. with bearings	
	404005L		Tandem wheel Ø75 Vulkollan with bearings	
	404006L		Tandem wheel Ø75 Steel with bearings	
	400164L		Tandem wheel Ø85 Nylon with bearings	Panther2582
	403861L		Tandem wheel Ø85 Poly. with bearings	
	400165L		Tandem wheel Ø85 Vulkollan with bearings	
	400172L		Tandem wheel Ø85 Steel with bearings	
41	415118	1	Distance ring	Only for Panther2572
44	415355K85	2	Wheel fork cpl. 85 mm	Incl. Items 45-51 Panther2582
	415355K75		Wheel fork cpl. 75 mm	Incl. Items 45-51 Panther2572
45	-	2	Wheel fork	
46	415120K	4	Bushing cpl.	Only for Panther2572
	405915K		Bushing cpl.	
47	990012	2	Grease nipple	
48	415353S	2	Wheel fork axle	
49	931435	2	Straight Pin	
50	415356	2	Axle	
51	933160	4	Locking ring	
54	400027K	2	Bushing cpl.	Incl. Items 10, 11, 12

Pump with handle



Item	Part no.	Qty	Description	Note
1	101055R	1	Pump Panther	Incl. Items 2 and 3
2	415204	1	Ball socket	Panther 2582
	415205		Ball socket	Panther 2572
3	935232	1	Spring ring	
4	415391R	1	Handle cpl.	
5	415118	1	Distance ring	Only for Panther2572
6	101056	1	Pump Panther 2572 w/Handle cpl.	Incl. Items 1, 2, 3, 4, 5
	101057		Pump Panther 2582 w/Handle cpl.	Incl. Items 1, 2, 3, 4

Pump



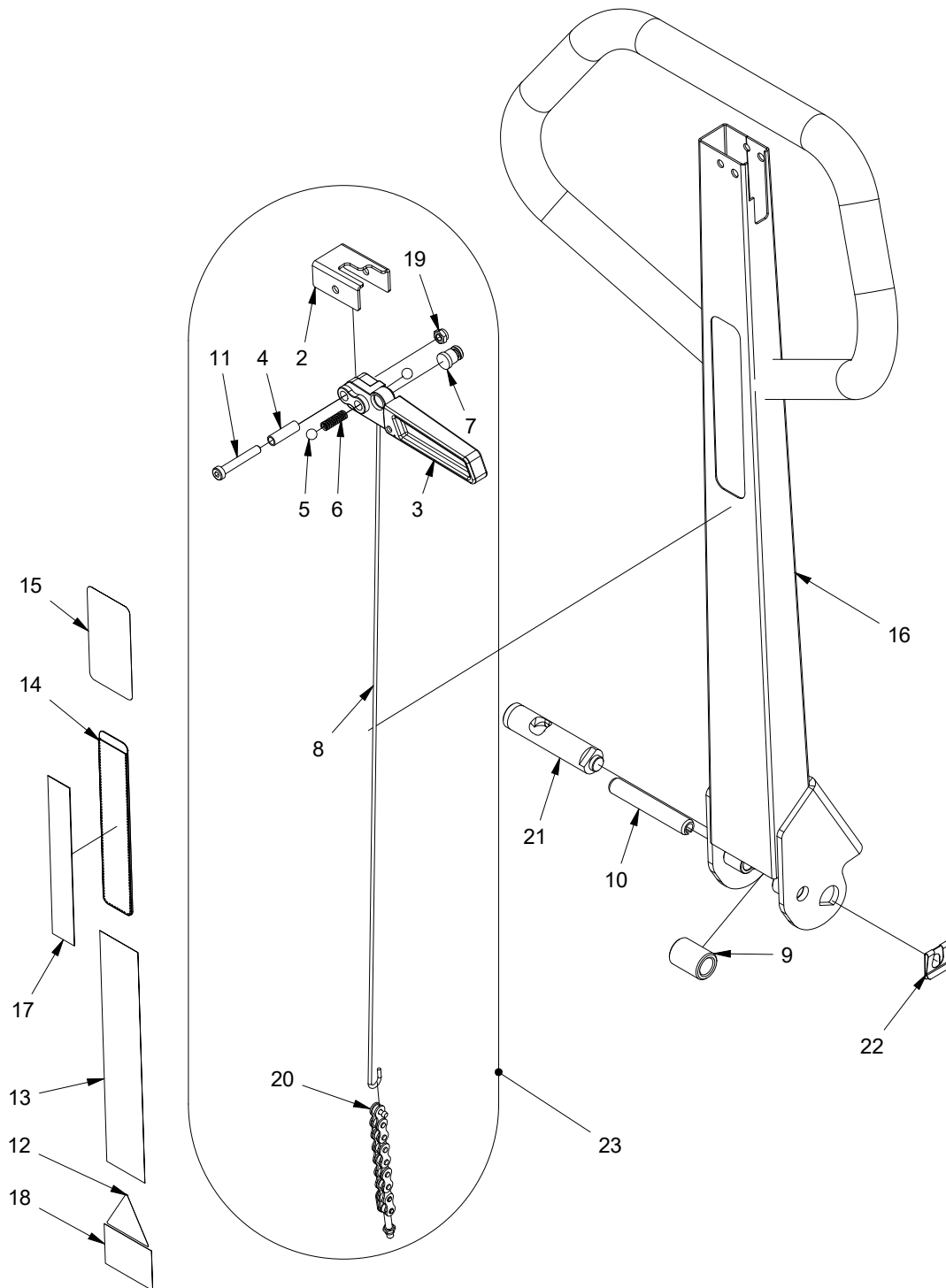
Pump

Item	Part no.	Qty	Description	Note
	101055R	1	Pump Panther	All Items included
2	415204	1	Ball socket	Panther2582
3	415205	1	Ball socket	Panther2572
4	935232	1	Spring ring	
5	-	1	Pump housing	
6	958430	1	Spring	
7	-	1	Pump cylinder	
8	415284	1	Spring washer	
9*	-	1	U-sleeve	
10*	-	1	Quad ring	
11*	-	1	Scraper ring	
12*	-	1	O-ring	
13*	-	1	O-ring	
14	-	1	Release cone	
15	-	1	Valve housing	
16*	-	1	Copper washer	
17	-	1	Valve cap nut	
18	-	1	Pump piston	
19	400171	1	Steel pin	
20	404062	2	Bushing	
21*	-	1	U-sleeve	
22	915113	1	Screw	
23	415203	1	Piston rod	
24	958075	2	Compression spring	
25	-	1	Spring	
26	-	1	Spring	
27	-	1	Spacer pipe release	
28	-	1	Washer	
29	-	1	Washer	
30	-	1	Steel bolt	
31	-	1	Lock nut	
32	-	1	Guide for spring	
33*	-	1	Copper washer	
34*	-	1	Copper washer	
35	-	1	Safety valve 2500 kg	
37*	-	1	Wiper seal	
38	-	1	Spring	
39*	-	1	O-ring	
40*	-	1	Plug gasket	
41	-	1	Release arm f/pump	
42	-	1	Valve house	s.no.4191980 >
43*	-	1	Wiper seal	s.no.4191980 >
44	-	1	Release pin	s.no.4191980 >

Pump

Item	Part no.	Qty	Description	Note
45	100492-7	1	Safety valve cpl. 2500 kg	Incl. Items 13, 25, 26, 34, 35, 42, 43, 44
46	170491	1	Release valve insert cpl.	Incl. Items 14, 15, 16, 17, 32, 33, 38
47	415033C	1	Pump cylinder cpl.	Incl. Items 7, 9, 10, 11, 12, 18
48	415371R	1	Release arm cpl.	Incl. Items 27, 28, 29, 30, 31, 41
50	100013-7R	1	Valve cpl.2500kg Panther	Incl. Items 45 and 46
*	100044	1	Gasket set	All Items marked * incl.

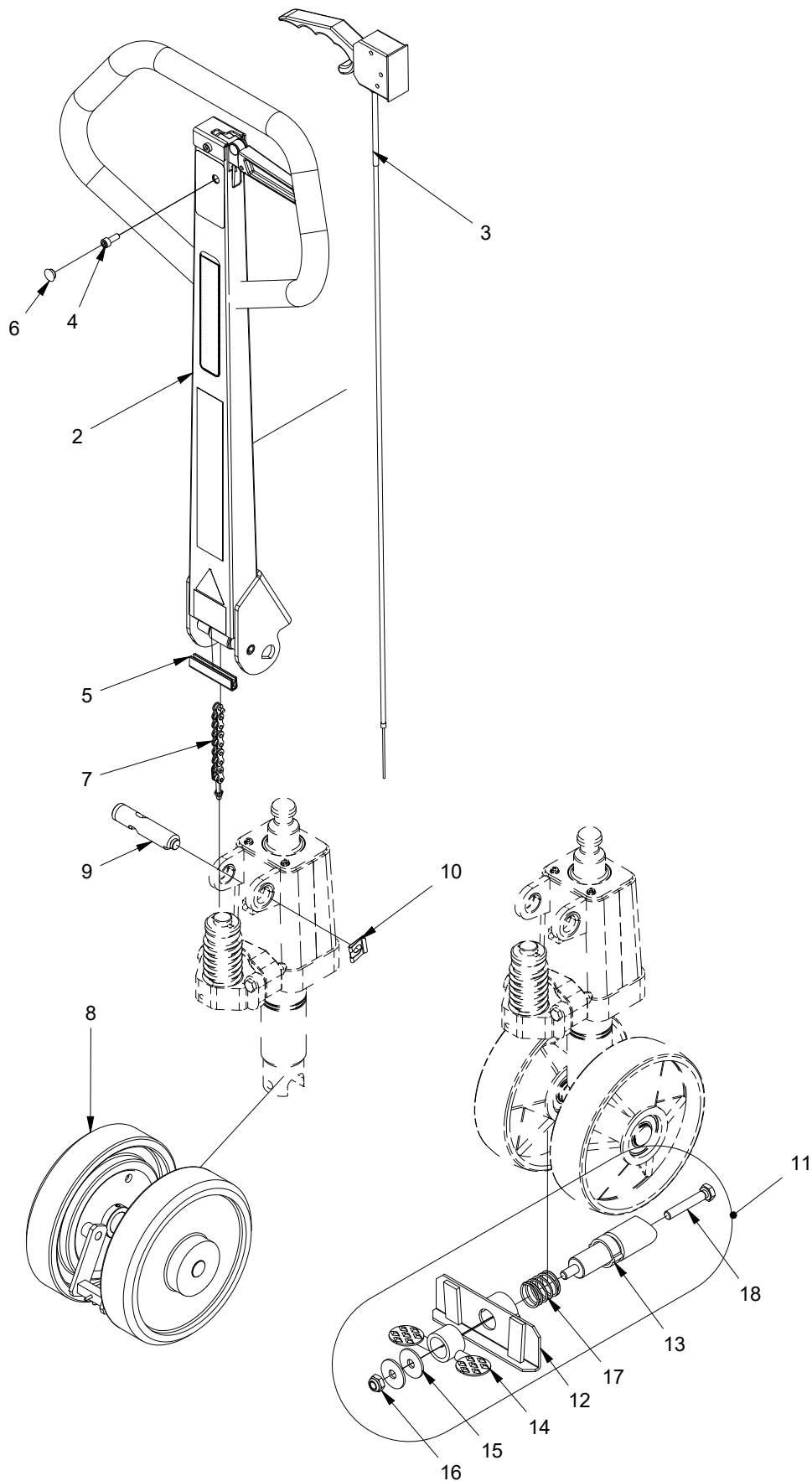
Handle



Handle

Item	Part no.	Qty	Description	Note
	415391R	1	Handle cpl.	All Items included
2	404461	1	Top for handle	
3	425515	1	Release lever	
4	-	1	Bushing for release handle	
5	-	2	Ball	
6	-	1	Spring	
7	-	1	Pin	
8	415392	1	Release rod	
9	415083	1	Roll f/handle	
10	931280	1	Straight Pin	
11	-	1	Screw	
12	991087	1	Warning triangle	
13	991132	1	Panther Streamer for handle	
14	899106	1	Plastic pocket f/handle	
15	991130	1	Sticker	
16	-	1	Handle	
17	991155	1	Handle cardboard	
18	991243	1	Danish Design sticker	
19	-	1	Lock nut	
20	951009K	1	Release chain cpl.	
21	415386	1	Handle axle Panther	
22	939120	1	Clips f/Handle axle	
23	415392K	1	Release rod Panther cpl.	Incl. Items 2, 3, 4, 5, 6, 7, 8, 11, 19, 20

Brake kit



Brake kit



Item	Part no.	Qty	Description	Note
-	101044	1	Panther hand service brake	Incl. Items 2, 3, 4, 5, 6, 7, 8, 9, 10
2	415396	1	Handle/brake cpl Panther	Incl. Items 3, 4, 5, 6
3	994001U	1	Control lever f/brake	
4	912616	1	Screw	
5	889115	1	Rubber profile (65mm)	
6	993056	1	Plastic plug	
7	951009K	1	Release chain cpl.	
8	994002	1	Wheels with brake kit	
9	415386	1	Handle axle Panther	
10	939120	1	Clips f/Handle axle	
11	100033	1	Parking brake Panther	Incl. Item 12, 13, 14, 15, 16, 17, 18
12	-	1	Brake plate	
13	-	1	Brake axle	
14	-	1	Brake pedal	
15	924100	2	Washer	
16	921100	1	Lock nut	
17	958260	1	Compression spring	
18	915160	1	Screw	